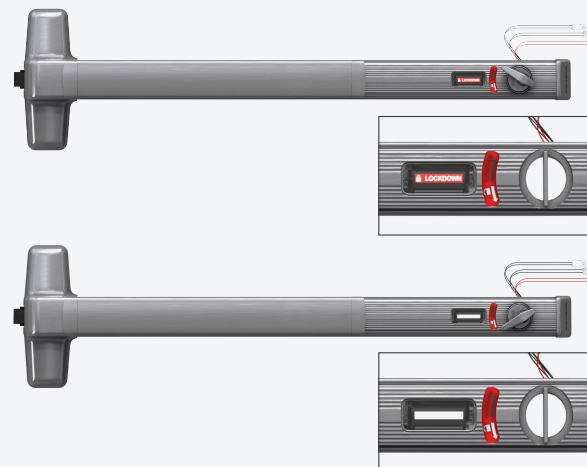


ESL

Emergency Secure Lockdown



Overview

The Von Duprin® Emergency Secure Lockdown (ESL) option is ideal for high-occupancy spaces, such as auditorium-style classrooms with access control. These large spaces often don't have a way to locally lockdown the room without tapping into the building's access control system. ESL allows occupants to quickly secure the opening in the case of an emergency.

In the event lockdown is necessary, students or teachers can turn the thumb turn (or cylinder key) of the ESL option installed in the exit device. This action interrupts power to the QEL motor, electronically undogging (extending the latchbolt) to secure pull side of the door as well as sends a signal to the access control system. The visual indication assures the occupant the exit device has been put into secure lockdown mode. Free egress out of the room is maintained from the exit side of the door, while access into the room can only be performed with a key.

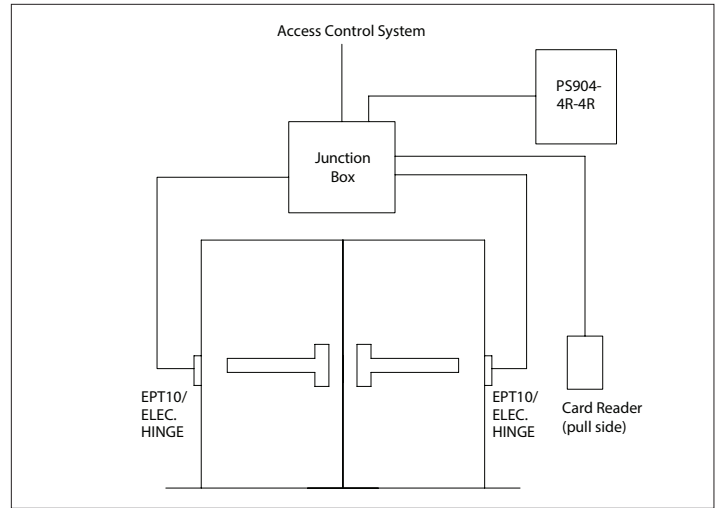
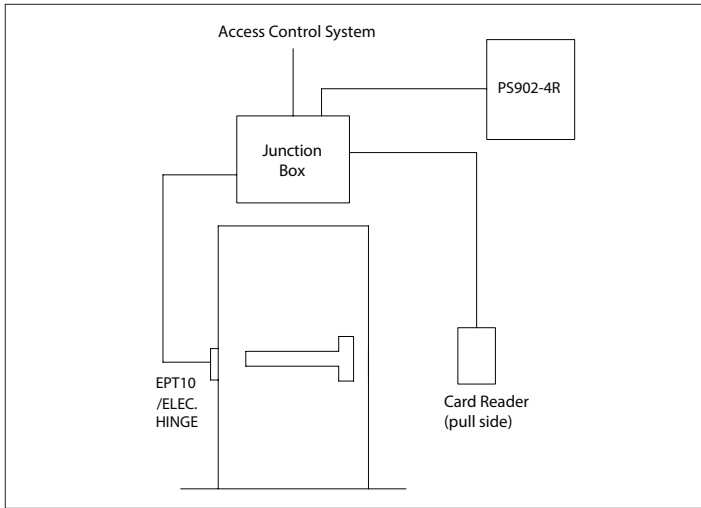
The ESL can be installed on openings containing both a Von Duprin QEL exit device, and an electronic access control system with credential reader.¹

¹ Only allowed with trim functions: NL, K-NL, L-NL, NL-OP, T-NL. Install in alignment with 2018 IBC 1010.2.8 NFPA 101 14.2.2.2.4 or per local AHJ.

Features & Benefits

- Lockdown solution that meets fire and life safety codes for free egress
- Labels provide a clear direction of rotation to secure opening
- Visual indicator on mechanism case cover includes a white, non-descript (blank) window for everyday use and red "LOCKDOWN," when activated
- Lockdown action interrupts power and extends latchbolt to secure pull side of door as well as sends signal to access control system
- When emergency lockdown is activated card access system no longer operates QEL
- Physical access is obtained by key override from pull side in lockdown mode
- Available for 98/99 and 33A/35A series exit devices that have QEL latch retraction
- Modular conversion kits allow quick and easy upgrade of existing devices
- Allows for scheduled electronic dog/undog or credential access during normal day-to-day use
- Works with any physical access control provider, no additional integration required

Specifications



Compatibility, Requirements & Considerations

ESL compatibility	For use with 33A/33A-F, 35A/35A-F, 98/98-F, or 99/99-F series exit devices that have QEL
Mechanism case length	At least 29" (736.6 mm)
Trim compatibility ¹	Only NL, K-NL, L-NL, NL-OP, T-NL
Cylinder	A standard 1-1/4" (32mm) mortise cylinder with an inverted straight cam and compression ring and spring is required. ESL does not come with cylinder or thumb turn and must be ordered separately. ²
Power supply (minimum requirement)	Single doors - PS902-4R Double doors - PS904-4R-4R. For fire applications, add 900-FA
Device restrictions	Windstorm (WS), SD-QEL/HD-QEL, and EL solenoid devices not compatible

How to Order

- For configured device, specify series, device length and ESL option. (Note: QEL and cylinder options are required, but not included.)
- For kits, use table below to specify part number and designate mechanism case cover plate.

Example (kit only): 967240 x US28

Kits for Device Size	Part #	619 (US15)	606 (US4)	711 (315)	628 (US28)	643e	630 (US32D)	710 (313)	605 (US3)	625 (US26)	622 (US19)	695 (SP313)	612 (US10)
33A ESL kit for 3' device	967240	-	•	•	•	•	-	•	•	•	•	•	•
33A ESL kit for 4' device	967241	-	•	•	•	•	-	•	•	•	•	•	•
35A ESL kit for 3' device	967242	•	•	•	•	•	•	•	•	•	•	•	•
35A ESL kit for 4' device	967243	•	•	•	•	•	•	•	•	•	•	•	•
98 ESL kit for 3' device	967244	•	•	•	•	•	•	•	•	•	-	-	•
98 ESL kit for 4' device	967245	•	•	•	•	•	•	•	•	•	-	-	•
99 ESL kit for 3' device	967246	•	•	•	•	•	-	•	•	•	-	-	•
99 ESL kit for 4' device	967247	•	•	•	•	•	-	•	•	•	-	-	•

¹ Install in alignment with 2018 IBC 1010.2.8 NFPA 101 14.2.2.2.4 or per local AHJ.

² Compatible cylinders available from Schlage.

- Conventional cylinder: 20-001 1-1/4" XQ11-949
- Thumb turn cylinder: 09-904 1-1/4" B502-191 XQ11-949
- ADA thumb turn cylinder: 09-904 1-1/4" XB11-720 B502-191 XQ11-949