

**VON DUPRIN®**

## Quiet electric latch retraction conversion kits

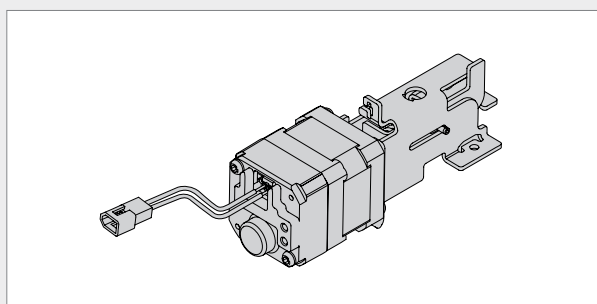
Featuring 98/99, 33A/35A  
and 22 Series exit devices

### Overview

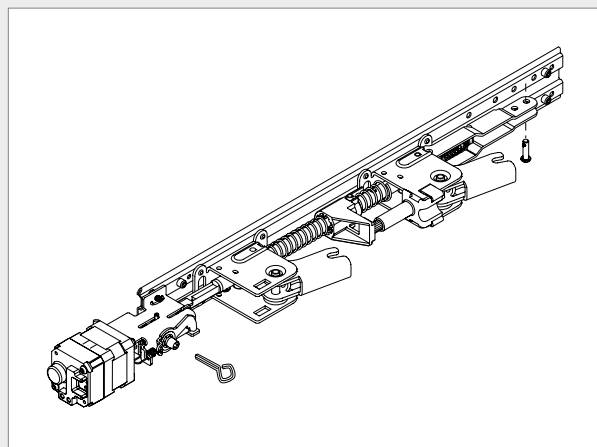
The Quiet Electric Latch (QEL) retraction latch option for Von Duprin exit devices provides electronic control of an exit device for environments where limited operational noise is desired.

This optional feature is offered in fully configured exit devices, or as a conversion kit to mechanical or legacy latch retraction devices currently installed, to enhance the opening's operability.

Von Duprin offers both a modular and baseplate QEL conversion kits. In most applications, the modular QEL kit provides the necessary functionality at the lowest cost and is the recommended solution. The modular QEL conversion kit should be selected unless the product is currently a solenoid-driven latch retraction device (EL).



Modular QEL kit



Baseplate QEL kit

## Features and benefits

The baseplate QEL conversion kit was the initial conversion kit offered when Von Duprin originally launched the QEL. With the improved design of the motor assembly and availability of the modular conversion kit, the baseplate QEL conversion kit should primarily be used when converting an EL to a motor driven QEL solution.

The modular conversion kit was developed to improve the flexibility, cost, and installation process without the requirement of replacing the entire baseplate assembly. The modular motor assembly provides the same functionality and fits in both 3' device and 4' device. This design allows for flexibility of inventory and solutions for a broader set of openings.

### Installation resources

- **Video:** [Converting mechanical 98/99, 33A/35A to QEL](#)
- **Video:** [Converting EL to QEL](#)
- **Installation instructions** [QEL 33A/35A, 98/99 Series](#)
- **Installation instructions** [QEL 22 Series](#)

### Modular QEL conversion kit

- Recommended conversion kit solution for most applications
- **Greater inventory flexibility:** Can upgrade both 3' and 4' devices
- **Ease of installation:** Can easily and quickly be installed in existing product
- **Lower list price:** Same functionality offered at a lower list price

### Baseplate QEL conversion kit\*

- EL conversion recommended when upgrading Von Duprin solenoid-driven latch retraction
- Device size 3' or 4' baseplate solution required to be specified

\*Baseplate conversion kit available for the 98/99 and the 33A/35A Series devices only.

## How to order

Use the following guided process to select the correct QEL conversion kit. Assess your product and choose 'Yes' or 'No' for each of the feature sections shown. Then, align selections with table columns on the next page. For each column, choose the corresponding row of products.

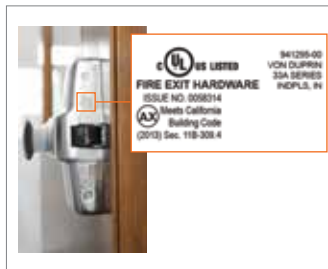
#1

33A/35A, 98/99,  
or 22



#2

AX  
Y or N



#3

Connector  
Y or N



#4

Hex Dogging  
Y or N



### QEL conversion kit options

**AX** = Designed to meet the 2010 ADA standards for Accessible Design that state the force required to activate operable parts shall not exceed 5 pounds

**CON** = Connector – Allegion Connect is a quick and easy way to connect power sources

**HD** = Hex Dogging QEL – Hex Dogging allows the electric latch retraction exit device to be manually dogged, holding in the latch bolt (not for use with fire door applications)

#1	#2	#3	#4		Recommended	Baseplate conversion kit part #s	
33A/35A, 98/99, or 22*	AX	CON	HD		Modular conversion kit part #s	3'	4'
33A/35A, 98/99	N	N	N	QELA conversion kit	114317-00	958003-00	040065-00
33A/35A, 98/99	N	N	Y	HD-QELA conversion	958002-00	958004-00	040067-00
33A/35A, 98/99	N	Y	N	QELA conversion kit w/connector	040061-00	040063-00	040066-00
33A/35A, 98/99	N	Y	Y	HD-QELA conversion kit w/connector	040062-00	040064-00	040068-00
33A/35A, 98/99	Y	N	N	QELX conversion kit	041162-00	041166-00	041167-00
33A/35A, 98/99	Y	N	Y	HD-QELX AX conversion kit w/dogging	041164-00	041170-00	041171-00
33A/35A, 98/99	Y	Y	N	QELX AX conversion kit w/connector	041163-00	041168-00	041169-00
33A/35A, 98/99	Y	Y	Y	HD-QELX AX conversion kit w/connector	041165-00	041172-00	041173-00
22	N	N	N	22 QEL conversion kit	47447540	N/A	N/A
22	N	N	Y	22 HD-QEL conversion kit w/ dogging	47447541	N/A	N/A
22	Y	N	N	22 QELX conversion kit	47447544	N/A	N/A
22	Y	N	Y	22 QELX conversion kit w/ dogging	47447547	N/A	N/A

**Example:** #1 = 98/99 | #2 = AX (N) | #3 = CON (N) | #4 = HD (N) » 114317-00 is the correct modular kit part number.

For confirmation purposes, 958003-00 is the corresponding baseplate kit part number. If you previously ordered 958003-00 for mechanical upgrades to latch retraction, we recommend choosing the 114317-00 modular kit.

\*Von Duprin 22 series devices modular conversion kits compatible with devices manufactured after January 1, 2022 (no seam on the mechanism case).

## Service and support

- To modify an existing order, contact Customer Service at (877) 671-7011, option 1.
- For additional product questions, contact Technical Support at (877) 671-7011, option 2, then option 3.

This page left intentionally blank.

**About Allegion**

Allegion (NYSE: ALLE) is a global pioneer in seamless access, with leading brands like CISA®, Interflex®, LCN®, Schlage®, SimonsVoss® and Von Duprin®. Focusing on security around the door and adjacent areas, Allegion secures people and assets with a range of solutions for homes, businesses, schools and institutions. Allegion had \$2.7 billion in revenue in 2020, and its security products are sold around the world. For more, visit [www.allegion.com](http://www.allegion.com)

