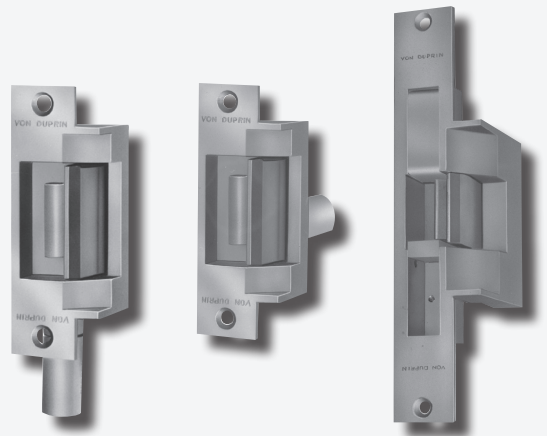


6200 Series

Strikes for Mortise or Cylindrical Devices



Overview

Von Duprin electric strikes are known for their reliability, durability and security. The 6200 Series strikes are designed to withstand abuse. Their heavy-duty stainless steel construction is fully UL 1034 and UL 10C listed.

6200 Series electric door strikes are designed for use with a variety of mortise or cylindrical locksets. Electrified strikes allow remote release of a locked door by activating a movable lip (keeper) using an entry/exit button or credential reader and can be a cost effective means for managing access. 6200 Series strikes come standard as 24 VDC in fail secure mode. 12 VDC and AC operation can be selected, as can fail safe mode and other options that enable you to configure these strikes to fit your exact needs.

Use 6200 Series electric strikes for retrofit applications or new construction. To assure the proper selection of an electric strike on new applications, lockset compatibility charts are shown on the next page. When using a lockset not listed or when retrofitting a strike to an existing application, please contact Von Duprin Technical Support for application assistance.

Features & Benefits

- 17 configurations available for cylindrical and mortise applications
- Heavy-duty stainless steel construction
- 24 VDC standard with 12, 16 and 28 VDC operation optional
- Two-piece plug connectors are furnished for ease of installation and removal during strike servicing
- Options include rectifier kit for VAC to VDC conversion, dual monitor switches, entry buzzer and Allegion Connect wire extension
- Six popular finishes available to suite with existing hardware
- UL 10C 3-hour fire-rated (fail secure only)
- UL 1034 listed for burglary-resistant electric door strikes
- Static strength: 1500 lbs
- Dynamic strength: 70 ft-lbs
- UL 294 listed for access control system

* Certification detail is listed within Model Specifications.

6200 Series Power Requirements

Models	Voltage	Current	Duty	Amps	Ohms
All	12V	DC	Continuous	0.60	21
All	16V	DC	Continuous	0.40	38
All	24V	DC	Continuous	0.33	83
All	28V	DC	Continuous	0.25	111

Continuous duty = Energized 1 minute or more

Mortise Lockset Compatibility^{1,3}

6211, 6211AL, 6211WF, 6212, 6213, 6214, 6215, 6221, 6222, 6223, 6224, 6224AL, 6225 and 6226 strikes

Manufacturer	Model number
Von Duprin	7500
Adams Rite	4510, 4710
Baldwin	6000
Best	24H, 30H, 45H
Corbin	9000
Falcon	MA2300, MA2500, MA2600, MA3300, MA3500, MA3600
Precision	Mortise
Russwin	Mortise
Sargent	7700, 8100, 9000
Schlage	L9000, K30, K40, K50, K60
Yale	7030, 7130, 8600, 8700

Mortise Lockset Compatibility^{1,3}

6210

Manufacturer	Model number
Von Duprin	7500
Best	30H (not 45H/47H)
Corbin/Russwin	ML2200, 5000, 9000, CR2200 (not 2000)
Falcon	MA100, MA200, MA300, MA400, MA500, MA600
Sargent	7700, 8100 (not 7800/8200)
Schlage	L9000
Yale	8700 (not 8800)

Cylindrical Lockset Compatibility^{1,3}

6211, 6211AL, 6211WF, 6212, 6213, 6214, 6215, 6221, 6222, 6223, 6224, 6224AL, 6225 and 6226 strikes

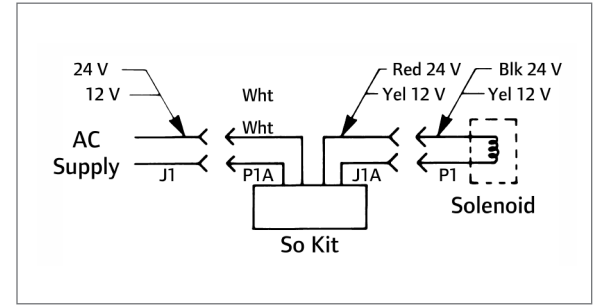
Manufacturer	Cylindrical latchbolt projection
Baldwin	1/2" - 3/4" (13 mm - 19 mm)
Best	3/8" - 3/4" (10 mm - 19 mm) ²
Corbin	1/2" - 3/4" (13 mm - 19 mm)
Falcon	1/2" - 3/4" (13 mm - 19 mm)
Russwin	1/2" - 3/4" (13 mm - 19 mm)
Sargent	1/2" - 3/4" (13 mm - 19 mm)
Schlage	3/8" - 3/4" (10 mm - 19 mm) ²
Yale	1/2" - 3/4" (13 mm - 19 mm)

Note: When using device not listed or when retrofitting a strike to an existing application, please contact Von Duprin Technical Support for application assistance.

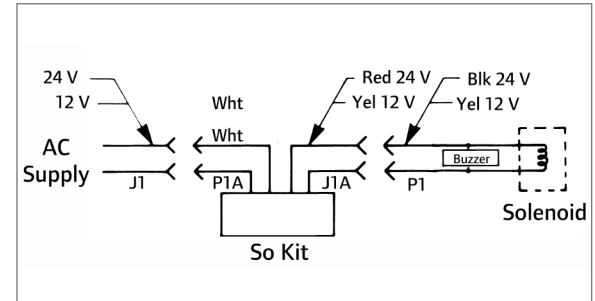
- Von Duprin cannot guarantee compatibility, as other manufacturer's designs may change without notice.
- Signalling may not function when using 3/8" (10 mm) throw bolt. Deadlocking cannot be guaranteed with all locks.
- When using a lockset not listed or when retrofitting a strike to an existing application, please contact Von Duprin Technical Support for assistance.

Wiring

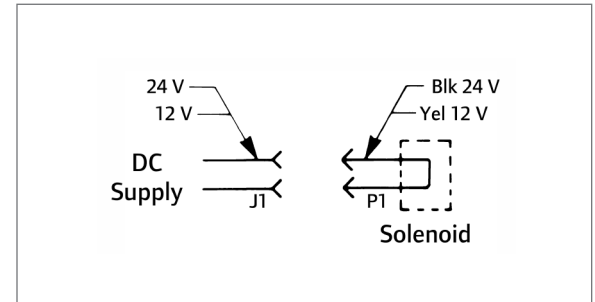
AC



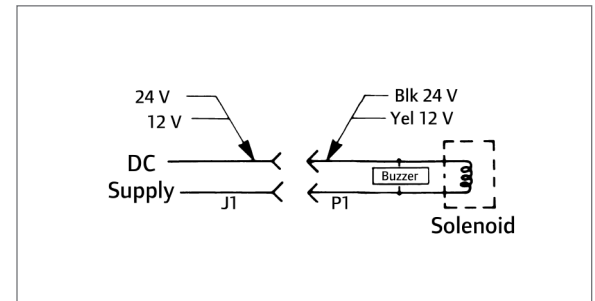
AC with Buzzer



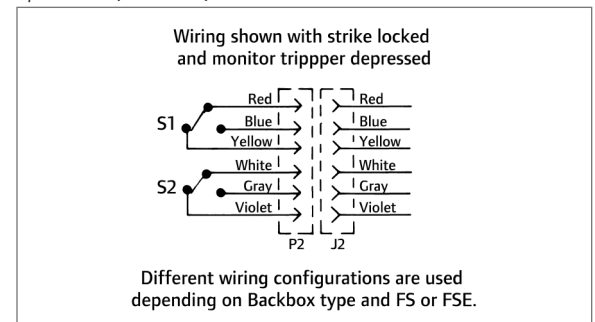
DC



DC with Buzzer



Optional DS (FSE Shown)





Model Specifications		6210	6211	6211AL	6211WF	6212
Model number		6210	6211	6211AL	6211WF	6212
Retrofits model		N/A	VD 3140 FA 712	FA 722	FA 732	VD 3146
Latchbolt throw		3/4"	3/4"	3/4"	3/4"	3/4"
Face plate length		4-7/8"	4-7/8"	4-7/8"	4-7/8"	6-3/8"
Backbox depth		1-3/4"	1-11/16"	1-11/16"	4-1/2"	1-21/32"
Lockset	Mortise without deadbolt	•	•	•	•	•
	Mortise with deadbolt 1" throw	---	---	---	---	---
	Cylindrical	---	•	•	•	•
Number of doors	Single	•	•	•	•	•
	Pair	---	---	---	---	---
Door and frame type	Hollow metal	•	•	---	---	•
	Aluminum	•	•	•	---	•
	Wood	---	---	---	•	---
Options	DS or DS-LC (dual monitor switches)	•	•	•	•	•
	EB (entry buzzer - fail-secure only)	•	•	•	•	•
	28 VDC AC rectifier kit	•	•	•	•	•
	16 VDC solenoid	•	•	•	•	•
Certifications/ Listings	UL 1034	•	•	•	•	•
	UL 10C	3 hour	3 hour	3 hour	3 hour	3 hour
	ANSI/BHMA 156.31, Grade 1	•	•	•	•	---
Application Notes	1	1	---	2	3	

Application notes:

- For use in ANSI prep at standard height. Strike pocket inserts are provided to accommodate different manufacturers deadlocking trigger locations.
- Designed to replace Folger Adams 732. Wood frame horizontal solenoid location differs from Folger Adams. Requires additional frame prep when retrofitting.
- Fits modified ANSI 115.2 cutout. Designed to replace Von Duprin 3146.



Model Specifications		6212WF	6213	6214	6215	6216	6221
Model number		6212WF	6213	6214	6215	6216	6221
Retrofits model		N/A	VD 3041, 3042, 3061, 3062	FA 310-2-3/4	FA 310-2	FA 310-3-1	VD 3071 VD 3072
Latchbolt throw		3/4"	3/4"	3/4"	3/4"	3/4"	3/4"
Face plate length		6-3/8"	6"	9"	9"	9"	6"
Backbox depth		4-1/2"	2-1/2"	2"	1-5/8"	2-7/8"	4-3/4"
Lockset	Mortise without deadbolt	•	•	•	•	---	•
	Mortise with deadbolt 1" throw	---	---	---	---	•	---
	Cylindrical	•	•	•	•	---	•
Number of doors	Single	•	•	•	•	•	---
	Pair	---	---	---	---	---	•
Door and frame type	Hollow metal	---	•	•	•	•	•
	Aluminum	---	•	•	•	•	•
	Wood	•	See note 1 below	---	---	•	•
Options	DS or DS-LC (dual monitor switches)	•	•	•	•	•	•
	EB (entry buzzer - fail-secure only)	•	•	•	•	•	•
	28VDC AC rectifier kit	•	•	•	•	•	•
	16VDC solenoid	•	•	•	•	•	•
Certifications/ Listings	UL 1034	•	•	•	•	•	•
	UL 10C	3 hour	3 hour	3 hour	3 hour	3 hour	3 hour*
Application notes		---	1	---	---	2	3

* When pair door has inactive leaf.

Application notes:

- Includes wood frame for retrofit applications.
- Deadbolt must be manually operated.
- Open back electric strike for use on 1-3/4" (44 mm) thick double door applications. 4-3/4" (120 mm) minimum stile required. For a concealed vertical rod and mortise device combination, specify "A" backbox.



Model Specifications		6222	6223	6224	6224AL	6225	6226
Model number		6222	6223	6224	6224AL	6225	6226
Retrofits model		FA 310-2-3/4 OB	VD 3091 VD 3092	FA 310-2-3/4	FA 310-2RF	FA 310-2 OB	FA 310-2
Latchbolt throw		3/4"	3/4"	3/4"	3/4"	3/4"	3/4"
Face plate length		9"	6"	9"	9"	9"	9"
Backbox depth		2"	4-1/2"	2"	1-5/8"	1-5/8"	1-5/8"
Lockset	Mortise without deadbolt	•	•	•	•	•	•
	Mortise with deadbolt 1" throw	---	---	---	---	---	---
	Cylindrical	•	•	•	•	•	•
Number of doors	Single	---	---	---	---	---	---
	Pair	•	•	•	•	•	•
Door and frame type	Hollow metal	•	•	•	---	•	•
	Aluminum	•	•	•	•	•	•
	Wood	---	•	---	---	---	---
Options	DS or DS-LC (dual monitor switches)	•	•	•	•	•	•
	EB (entry buzzer - fail-secure only)	•	•	•	•	•	•
	28VDC AC rectifier kit	•	•	•	•	•	•
	16VDC solenoid	•	•	•	•	•	•
Certifications/ Listings	UL 1034	•	•	•	•	•	•
	UL 10C	3 hour*	3 hour*	3 hour*	3 hour*	3 hour*	3 hour*
Application notes		1	2	3	4	5	6

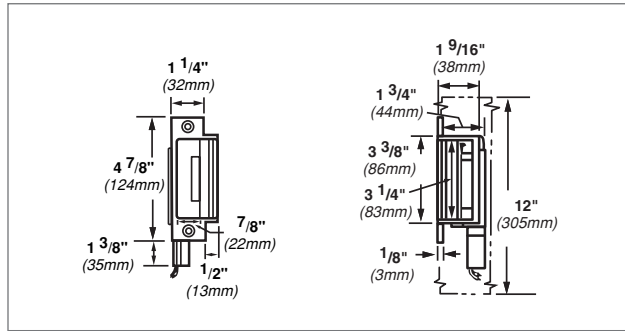
* When pair door has inactive leaf.

Application notes:

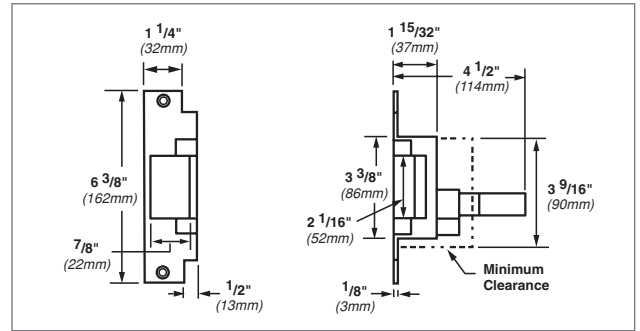
- Open back electric strike for use on 1-3/4" (44 mm) thick double door applications
- Closed back electric strike for use on 1-3/4" (44 mm) thick double door applications. 4-3/4" (120 mm) minimum stile required.
For a concealed vertical rod and mortise device combination specify "A" backbox.
- Closed back electric strike for use on 1-3/4" (44 mm) or 2-1/4" (57 mm) thick double door applications.
- Closed back electric strike for use on 1-3/4" (44 mm) or 2-1/4" (57 mm) thick aluminum double door applications.
- Open back electric strike for use on 1-3/4" (44 mm) thick double door applications.
- Closed back electric strike for use on 1-3/4" (44 mm) or 2-1/4" (57 mm) thick double door applications.

Dimensions

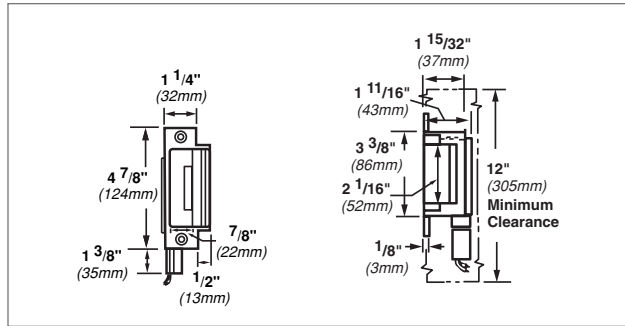
6210



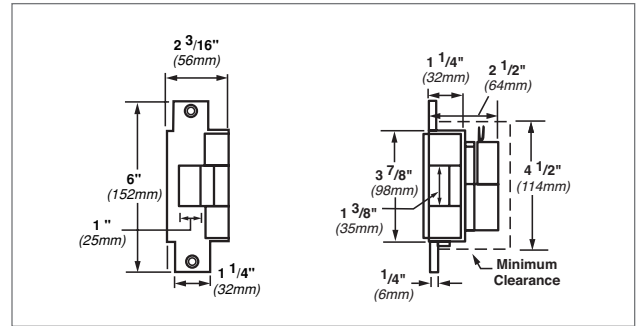
6212WF



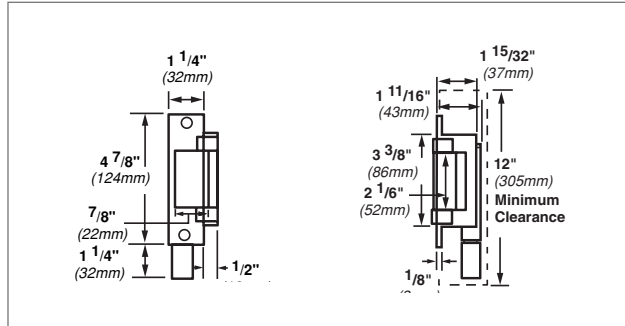
6211



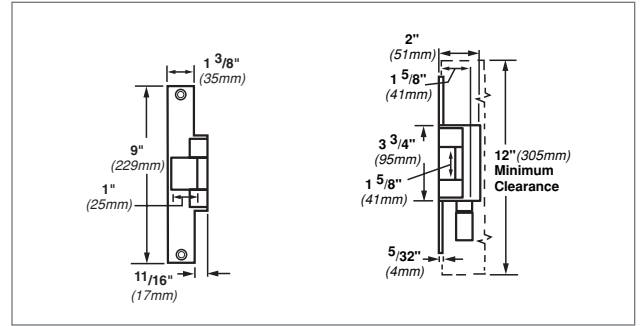
6213



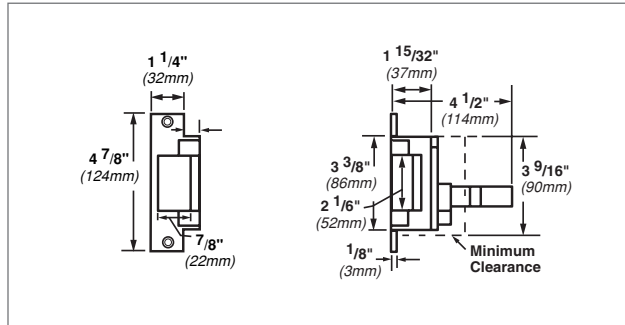
6211AL



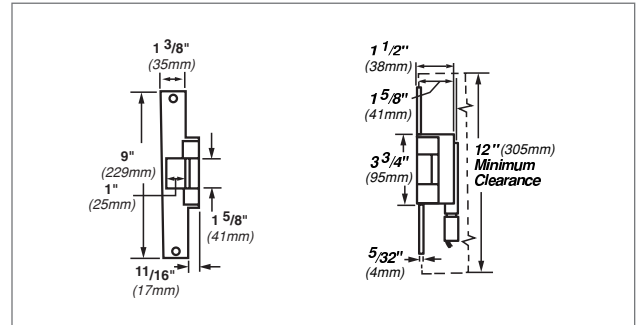
6214



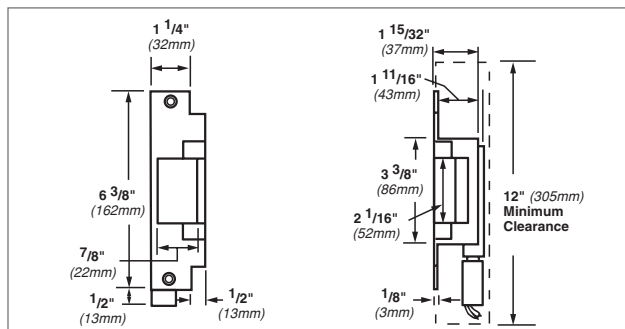
6211WF



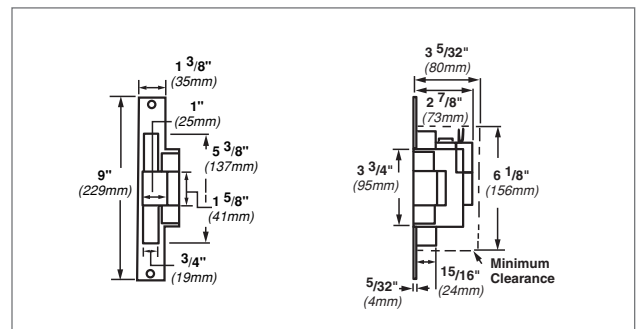
6215



6212

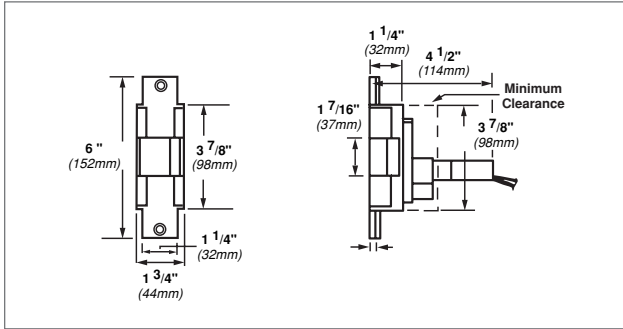


6216

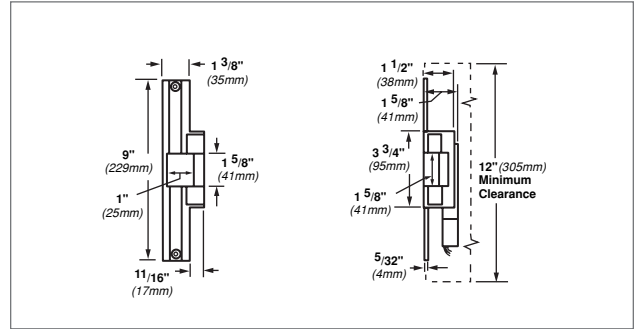


Dimensions

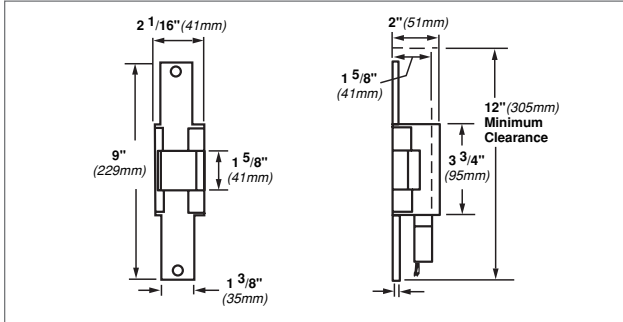
6221



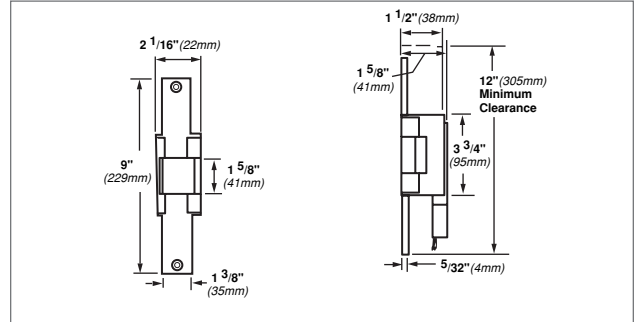
6224AL



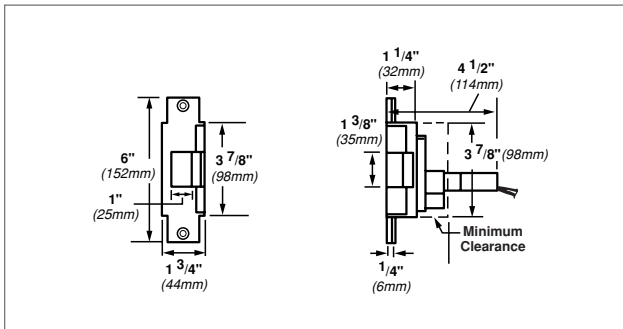
6222



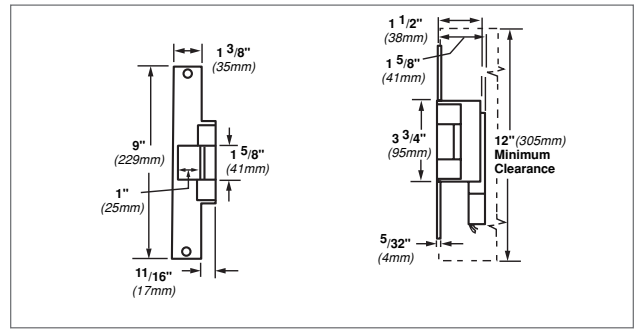
6225



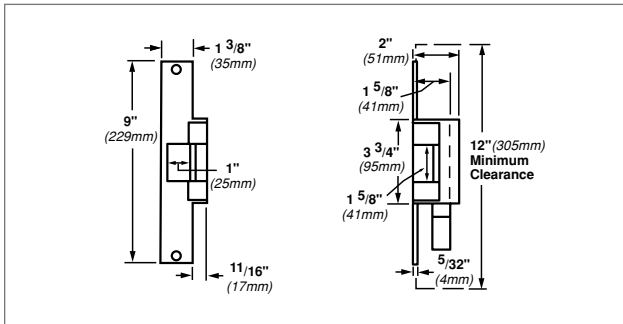
6223



6226



6224



Ordering Information

6210	-	FSE	-	DS	-	24	-	S024	-	US3	-	EB	-	CON
Model		Power failure mode		Dual switch*		Voltage		Rectifier kit*		Finish		Buzzer*		Allegion Connect*
1		2		3		4		5		6		7		8

* Optional

Selections correspond with the numbers above.

1 Model	
Reference specification chart to make the proper model selection	
2 Power failure mode	
FSE	Fail-secure. Requires power to be applied to unlock the strike lip. On loss of power, the strike lip is locked. Fire-rated.
FS	Fail-safe. Requires power to be applied to lock the strike lip. On loss of power, the strike lip is unlocked. Non-fire-rated.
3 Dual switch (optional)	
DS	Monitors latch bolt and lock status. DS switches rated for 24 VDC at .050 - 2.0 amps.
DS-LC	Low current option for computer monitoring. Monitors latch bolt & lock status. DS-LS switches rated for 24 VDC at .050 amp or less.
4 Voltage (VDC)	
24	Low voltage DC power (standard)
12	Low voltage DC power
16	Low voltage DC power (solenoid sold separately)
28	Low voltage DC power (solenoid sold separately)

If AC power is required, specify rectifier kit.

5 Rectifier kit (optional)	
S012	Converts 12 VAC voltage to 12 VDC to operate the solenoid
S024	Converts 24 VAC voltage to 24 VDC to operate the solenoid
6 Finish	
US3/BHMA 605	Plated polished brass on stainless steel
US4/BHMA 606	Plated dull brass on stainless steel
US10/BHMA 612	Plated dull bronze on stainless steel
US10B/BHMA 613	Plated dark bronze, oil rubbed on stainless steel
US32/BHMA 629	Stainless steel, polished
US32D/BHMA 630	Stainless steel, satin
7 Buzzer (optional)	
EB	Entry Buzzer
Only available if Fail-Secure (FSE) is specified.	
8 Allegion Connect	
CON	Allegion Connect Connector

6 in. wire extension harness available