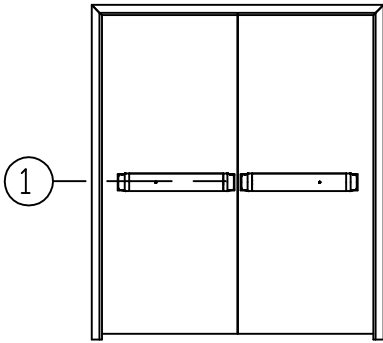
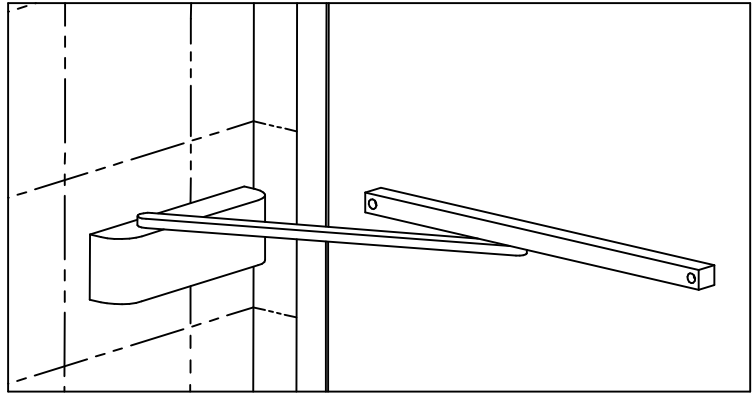
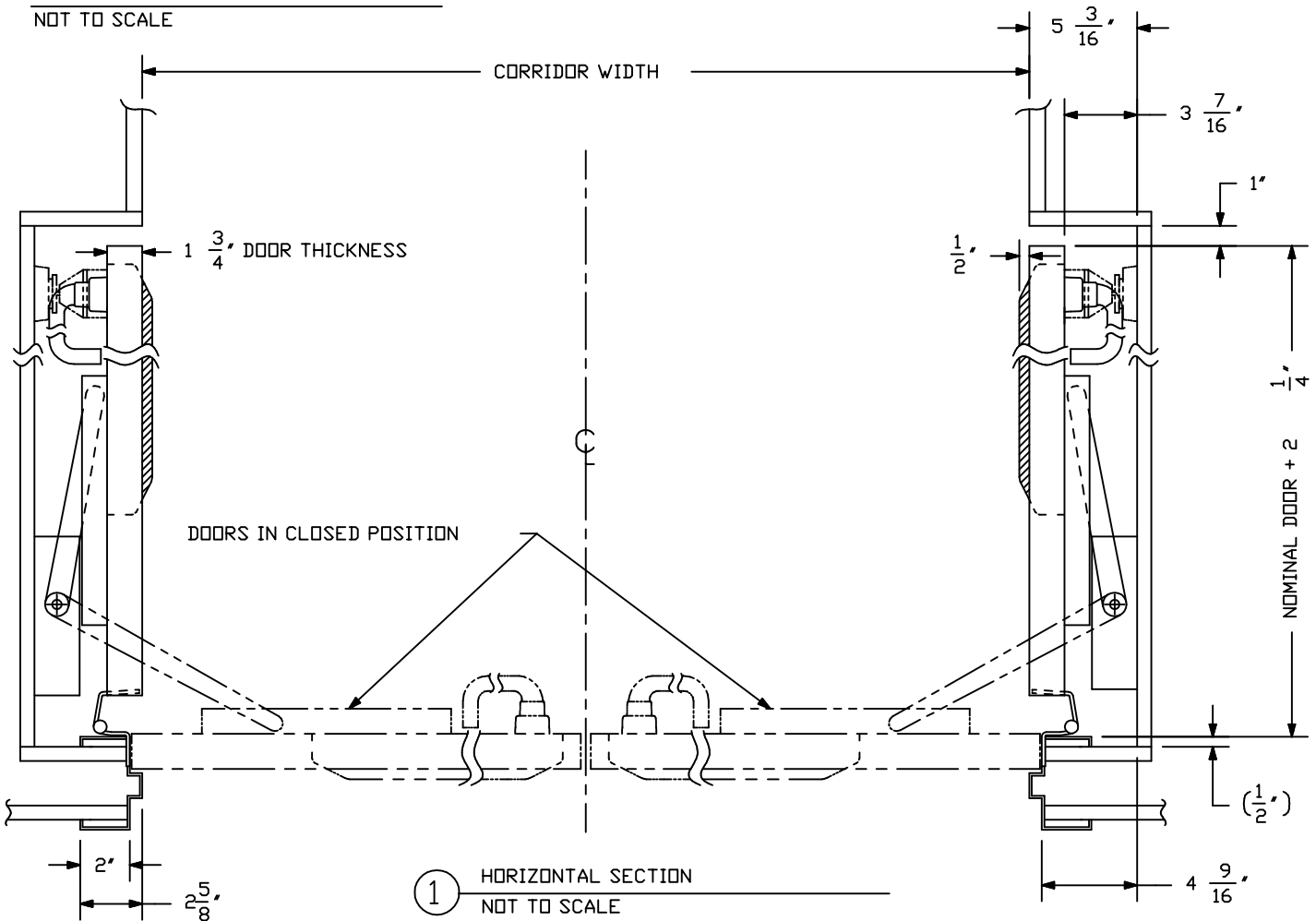


PLAN
NOT TO SCALE



ELEVATION
NOT TO SCALE

QTY	PRODUCT	MANUFACTURER
2	94/9547 SERIES RECESSED EXIT DEVICE	IR - VON DUPRIN
2	BB1263 SWING CLEAR HINGE	N/A
2	SEM 7850 MAGNET STANDARD PROFILE RECESSED WALL MOUNT	IR - LCN
2	4000T SERIES CLOSER	IR - LCN
2	LP373L CONTROL	IR - VON DUPRIN



VON DUPRIN
 94/9547 DEVICE USED WITH BB1263 SWING CLEAR HINGE, SEM 7850 MAGNET, 4000T SERIES CLOSER, AND LP373L CONTROL



NOTES:

APPLICATION NUMBER: APPL.9447_0.PG3

DATE: 5-15-02