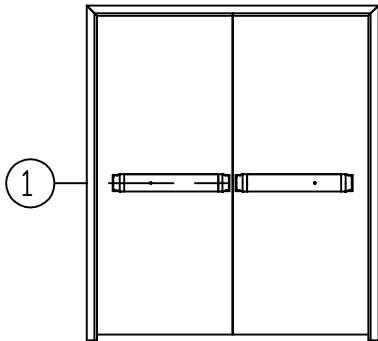
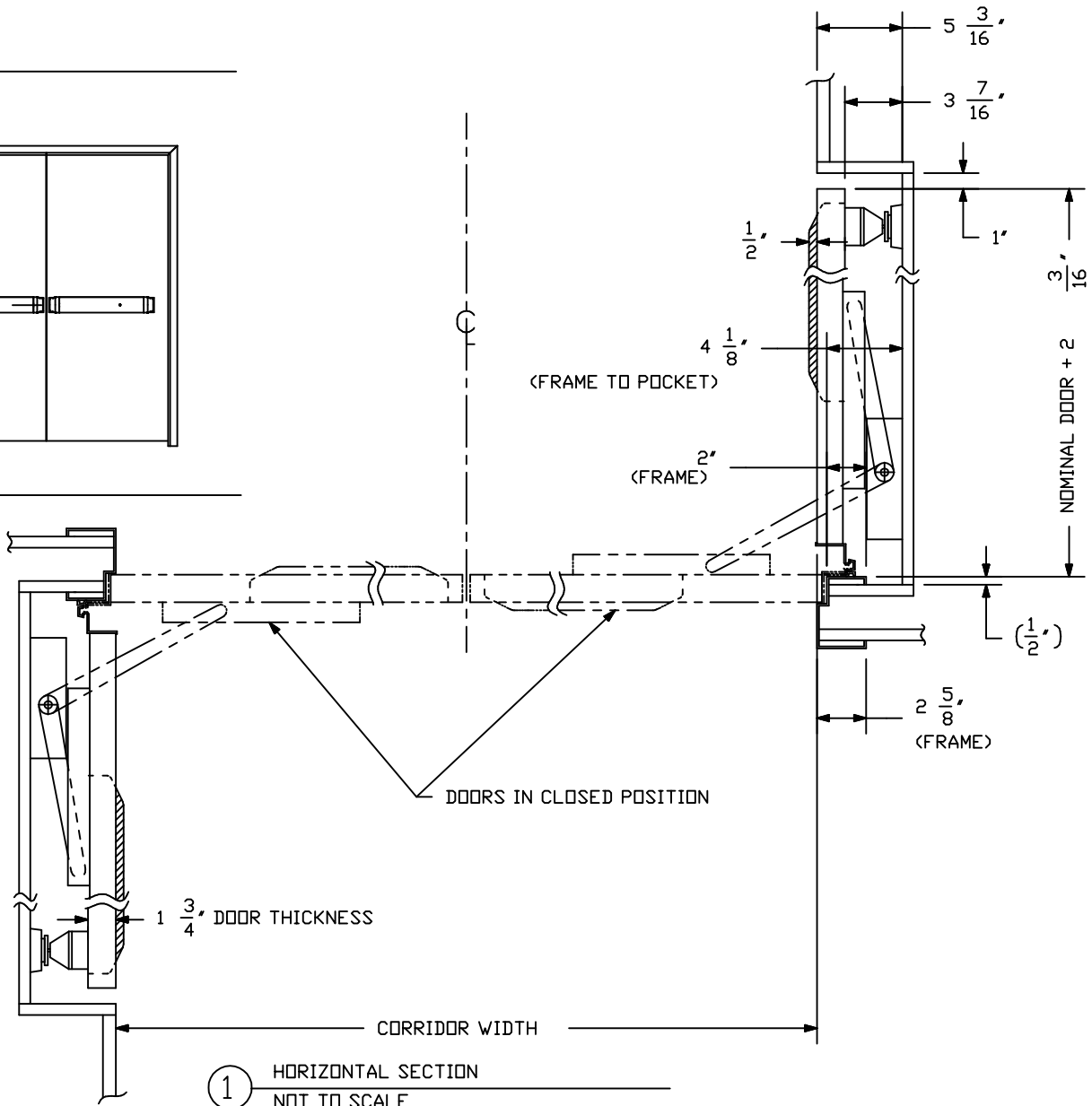


QTY	PRODUCT	MANUFACTURER
2	94/9547 SERIES RECESSED EXIT DEVICE	IR - VON DUPRIN
2	SL-41 HD CONTINUOUS HINGE	N/A
2	SEM 7850 MAGNET STANDARD PROFILE RECESSED WALL MOUNT	IR - LCN
2	4000T SERIES CLOSER	IR - LCN

PLAN
NOT TO SCALE



ELEVATION
NOT TO SCALE



VON DUPRIN

94/9547 DEVICE USED WITH SL-41HD CONTINUOUS HINGE, SEM 7850 MAGNET, AND 4000T SERIES CLOSER (DOUBLE EGRESS)



NOTES:

APPLICATION NUMBER: APPL.9447_0.PG6

DATE: 5-15-02