

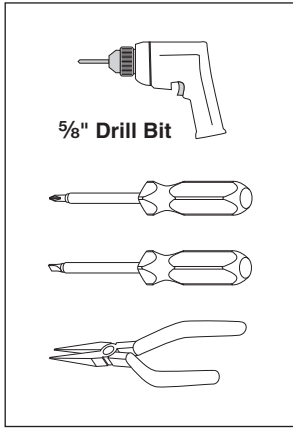
READ THESE INSTRUCTIONS FIRST

VON DUPRIN®

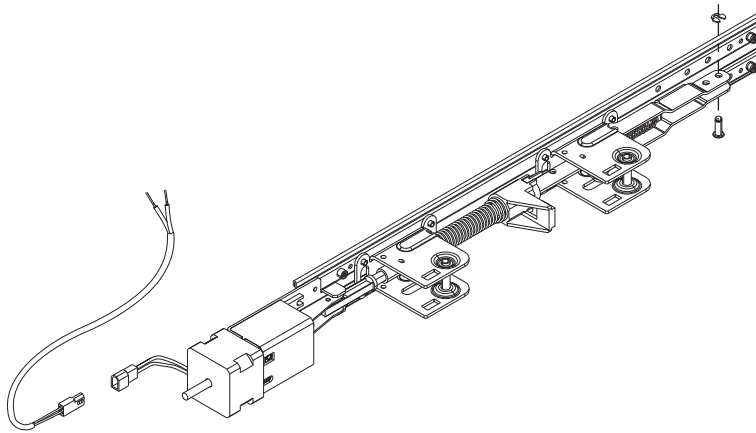
Installation Instructions QEL Conversion Kit



941018-00



1. This kit converts the following exit devices to quiet electric latch (QEL) retraction devices.
33/35A Rim, 33/3527A, 33/3547A, and all 98/99 series
2. Install according to instructions or device will not function and panic or fire label will be void.
3. The QEL wiring must be attached to the fire alarm system if installed on fire exit hardware
4. PS873 power supply with 871-2Q option board **MUST** be used with QEL exit devices.
5. Field wiring between the power supply and the door must be 12-18 AWG up to 200'.



1



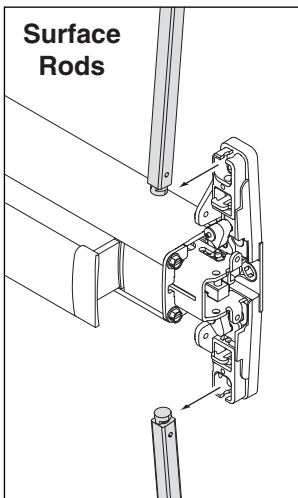
To avoid risk of shock, disconnect AC power from PS873 before proceeding with this conversion.

If using 873-BB Battery Backup option, unplug all four wires from battery terminals.

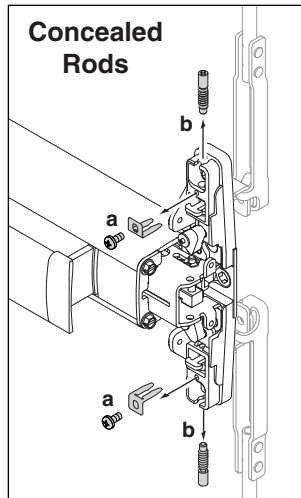
2

Detach Vertical Rods

Skip this step if device does not have vertical rods.



OR

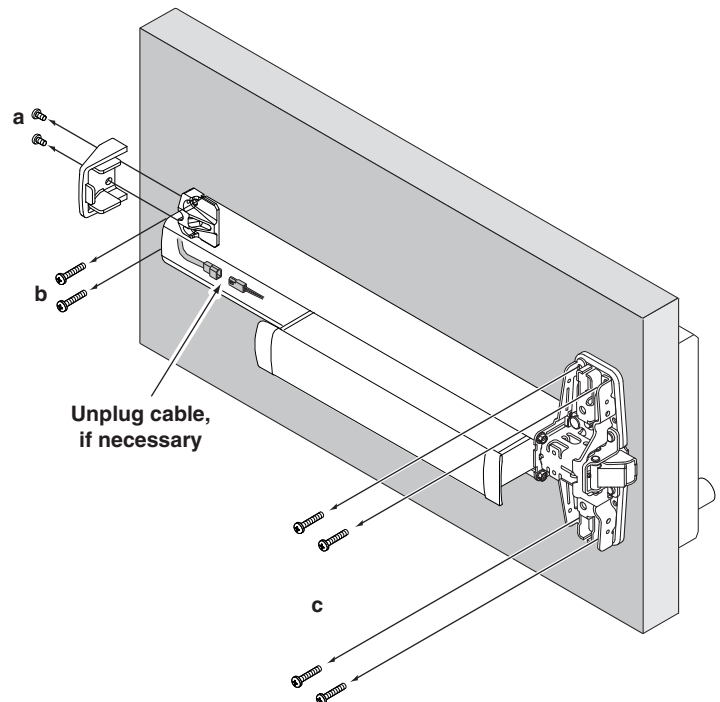


3

Remove Exit Device from Door

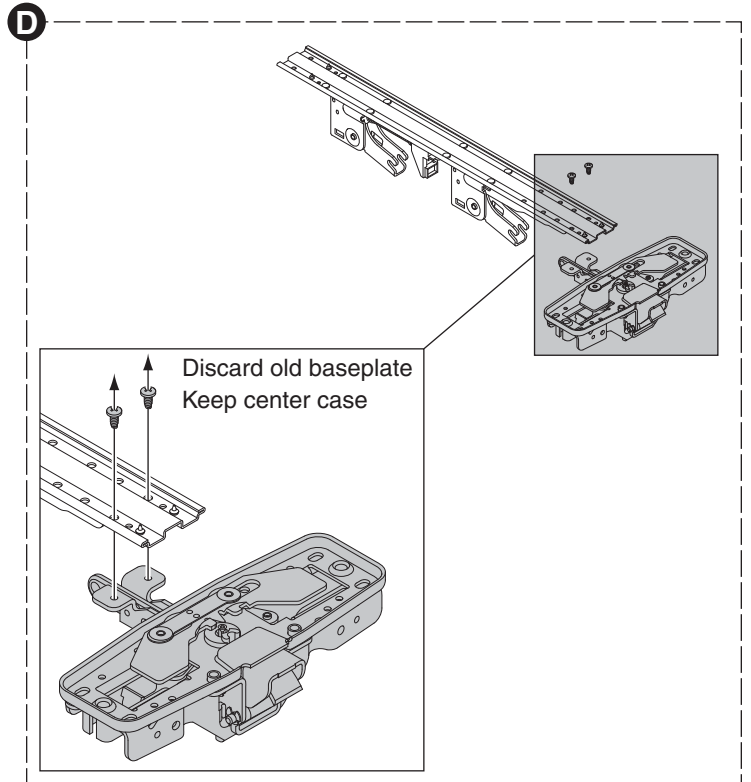
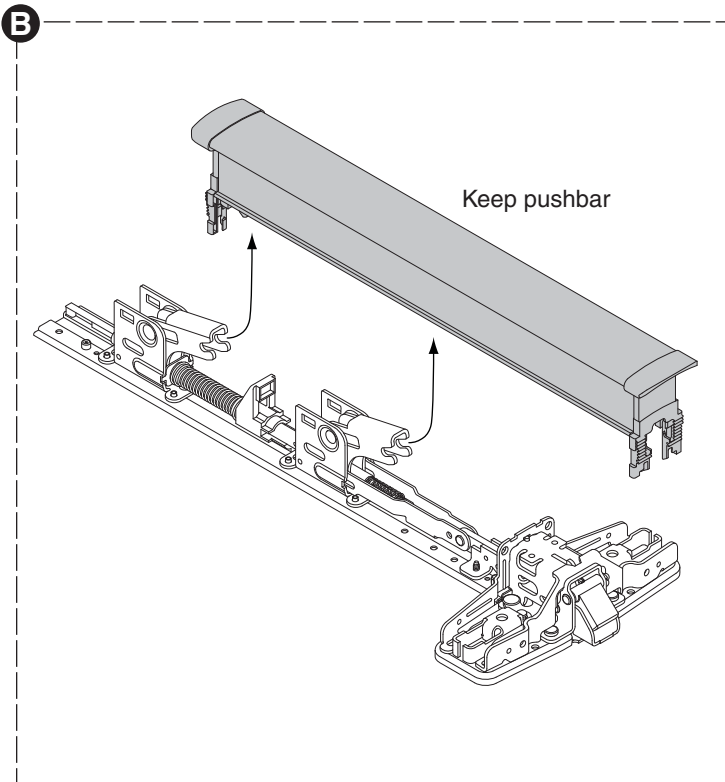
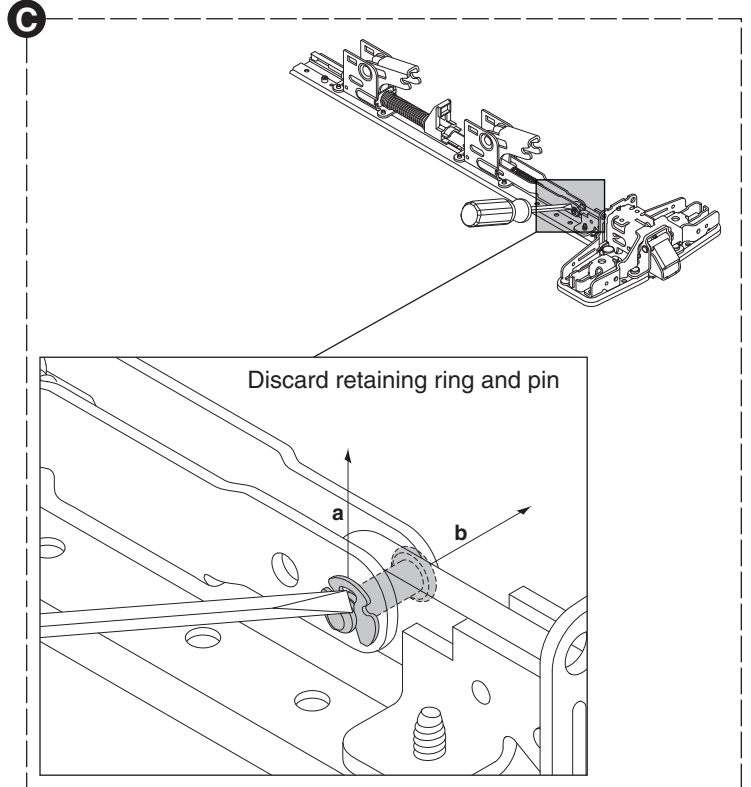
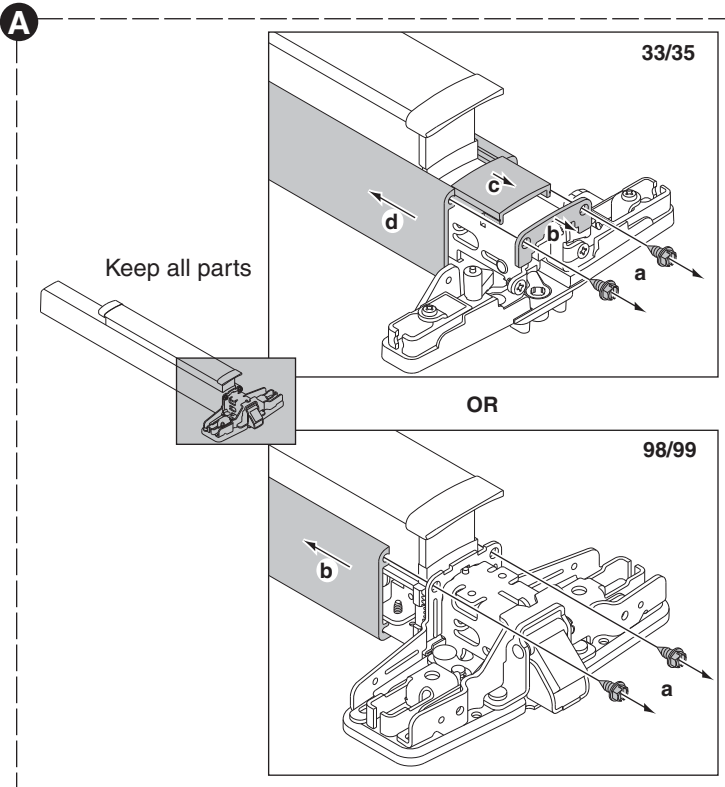


Device and trim must be held securely while screws are being removed, to prevent dropping to the floor

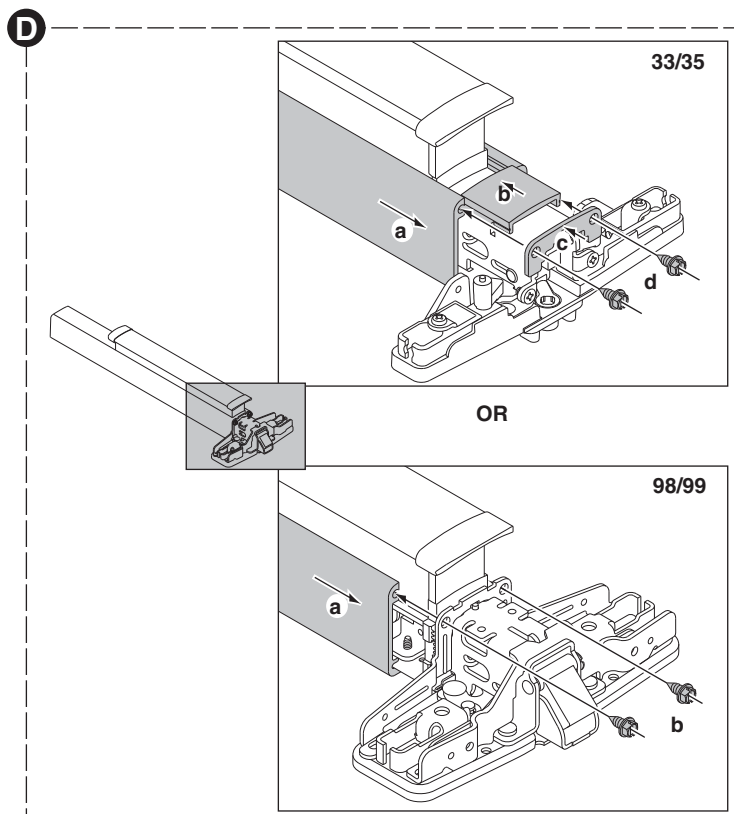
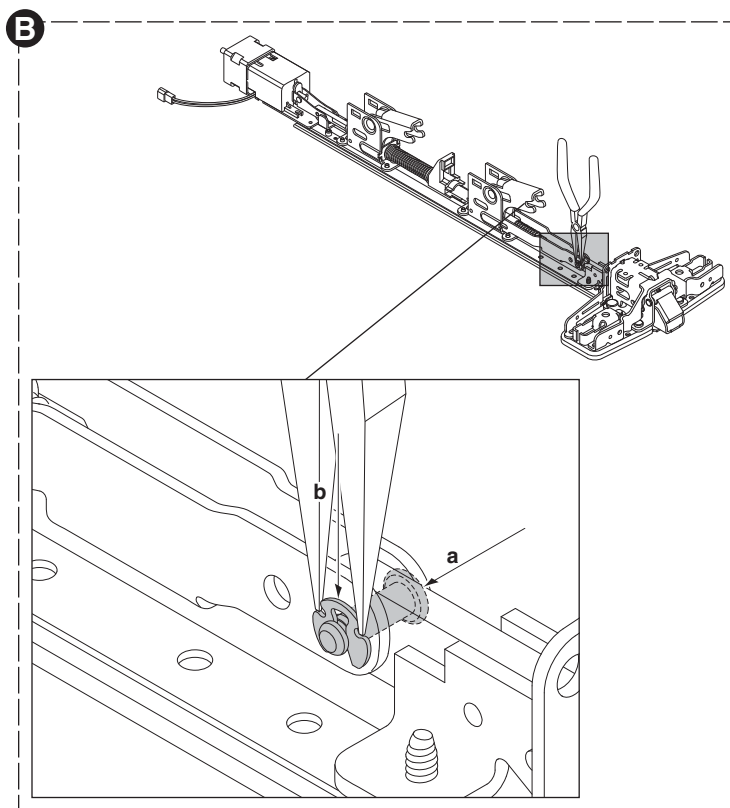
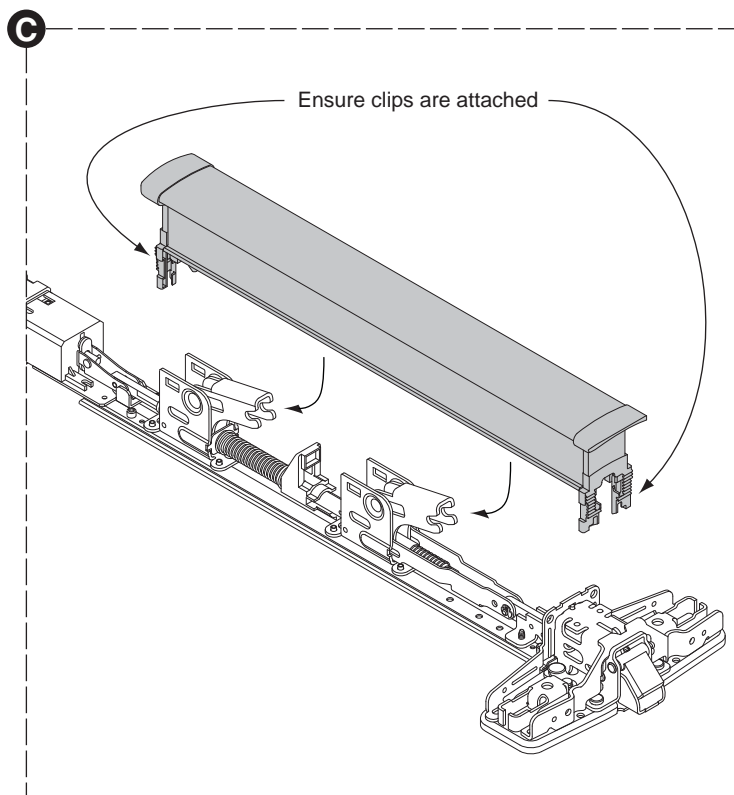
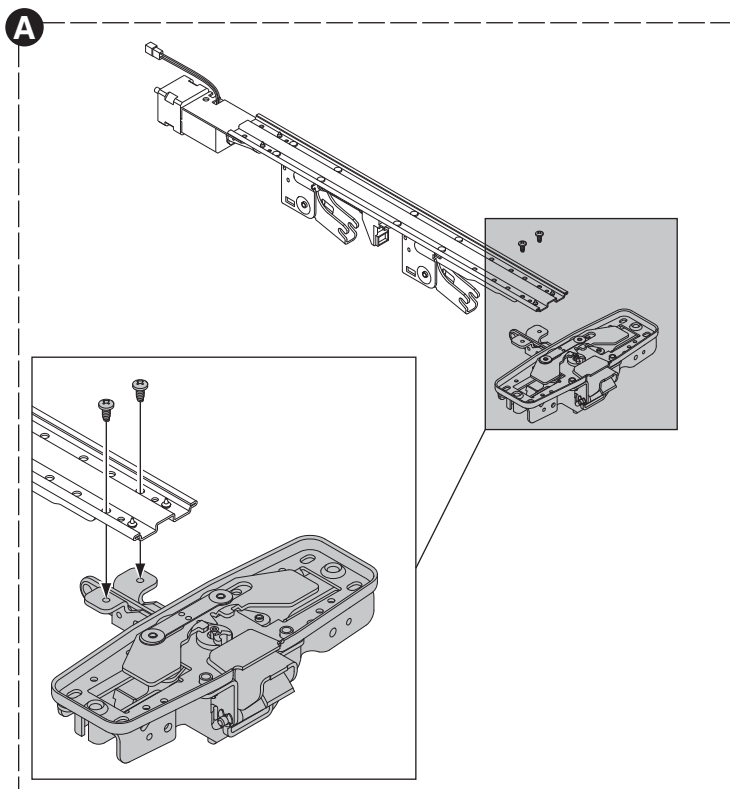


4

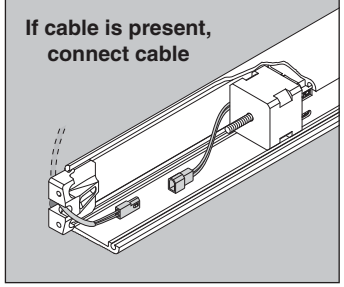
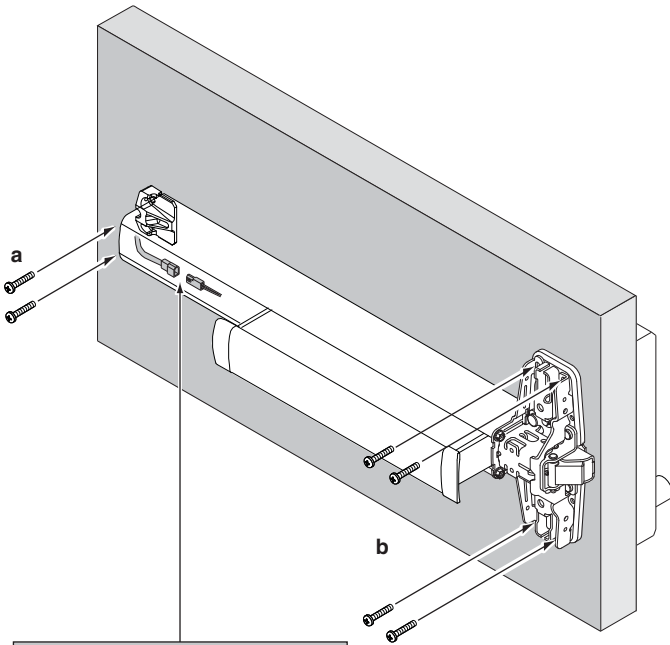
Remove Old Baseplate Assembly



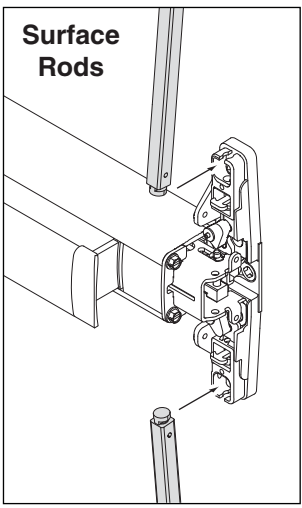
5 Install New QEL Baseplate Assembly



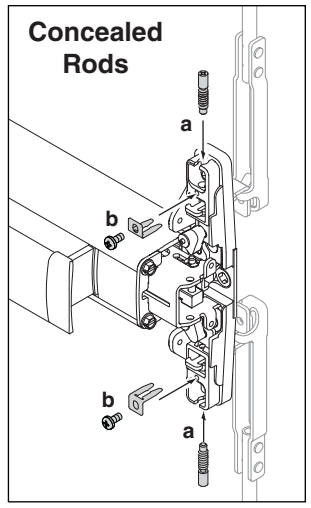
6 Attach Exit Device to Door



7 For Vertical Devices ONLY, Attach Vertical Rods:

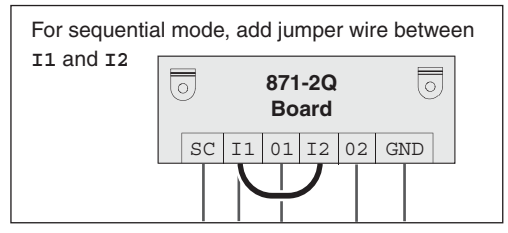
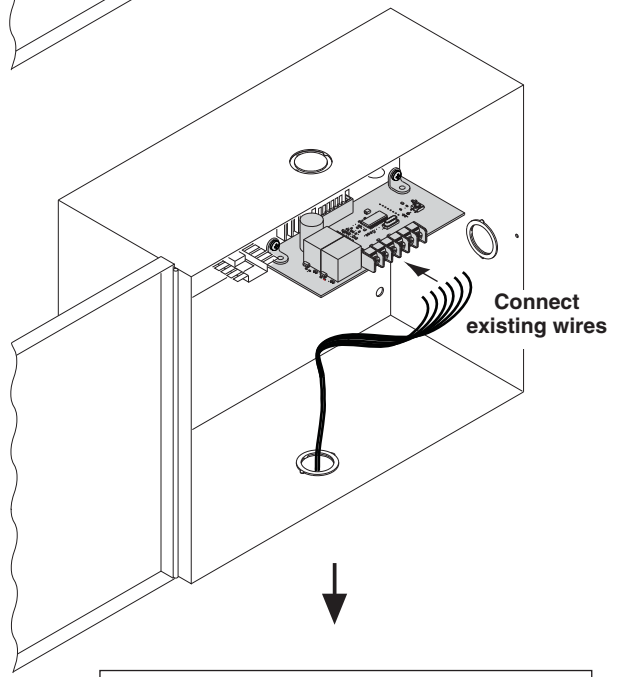
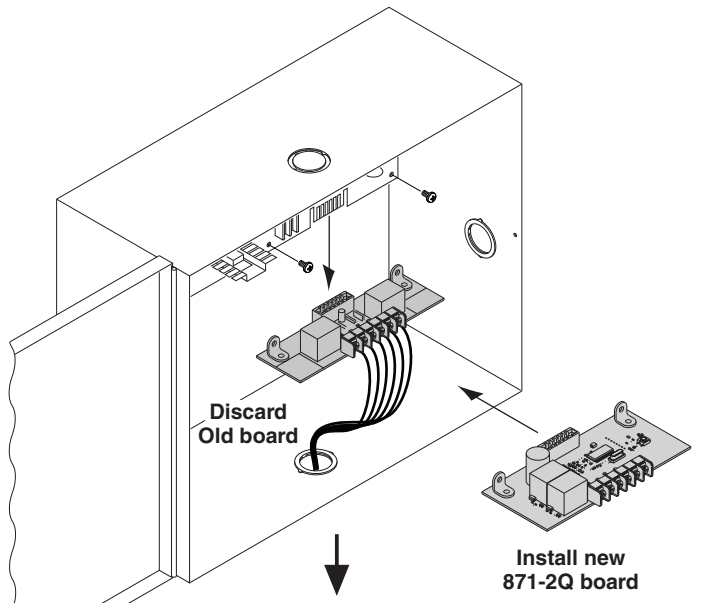


OR



For more detailed installation instructions for specific exit devices, visit the Von Duprin website;
www.vonduprin.com/installation_instruction_library.asp

8 If Re-using Existing Power Supply, Replace Board
 Skip this step if using new power supply.



9 Go to Instructions 941016 for the following information:

- Drilling access hole in door
- Wiring the QEL system
- Setting time delays
- Checking operation
- Troubleshooting