



# VON DUPRIN®

## Installation Instructions QEL Motor Replacement Kit

941091-00

1



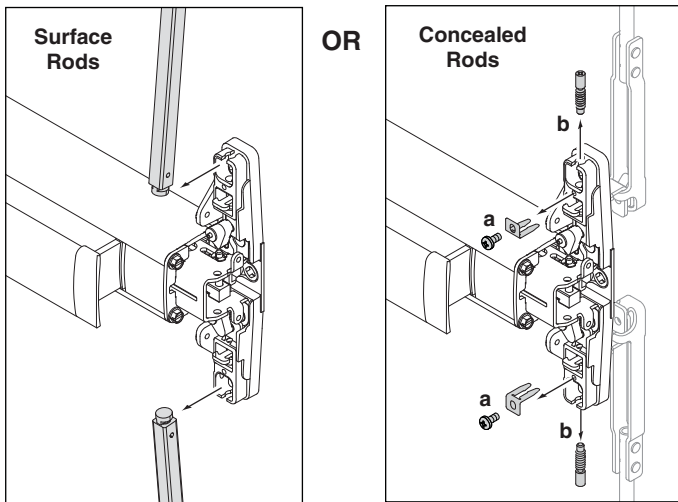
To avoid risk of shock, disconnect AC power from PS873 before proceeding with this conversion.

If using 873-BB Battery Backup option, unplug all four wires from battery terminals.

2

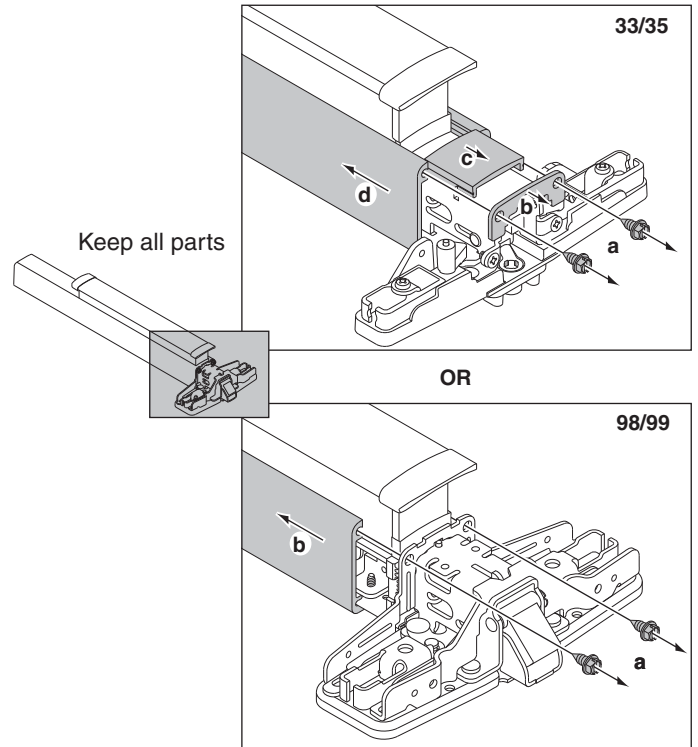
### Detach Vertical Rods

Skip this step if device does not have vertical rods.



4

### Remove Mechanism Case

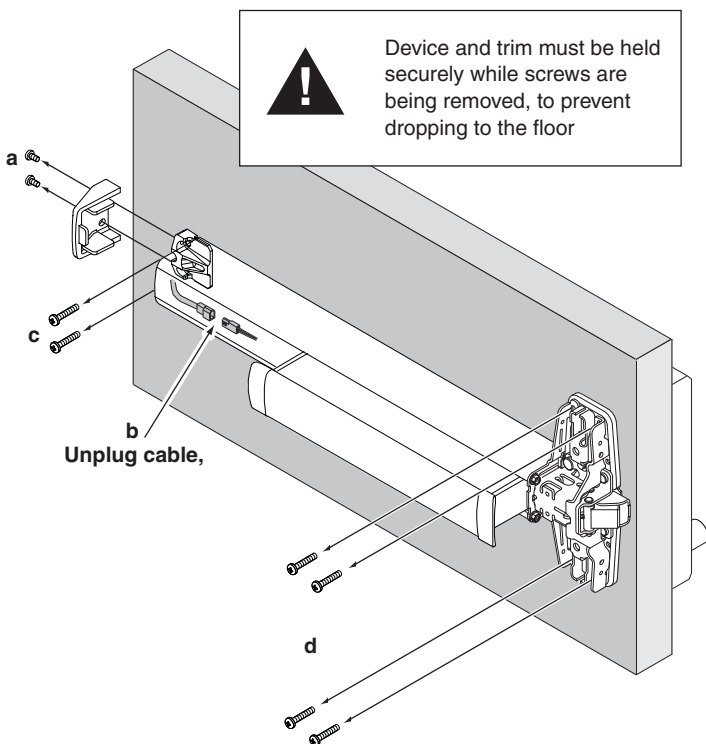


3

### Remove Exit Device from Door

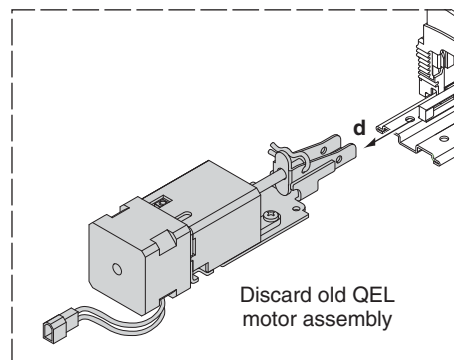
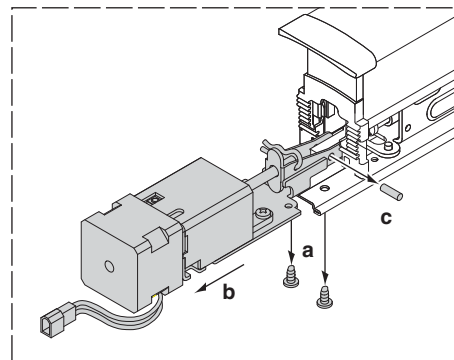


Device and trim must be held securely while screws are being removed, to prevent dropping to the floor

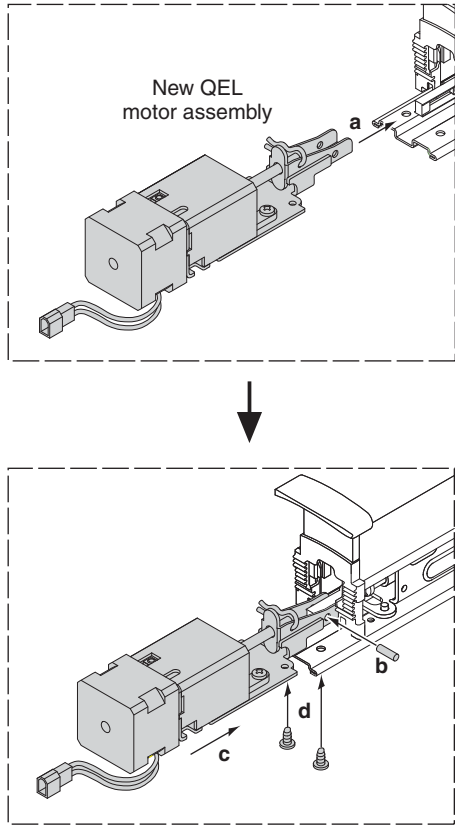


5

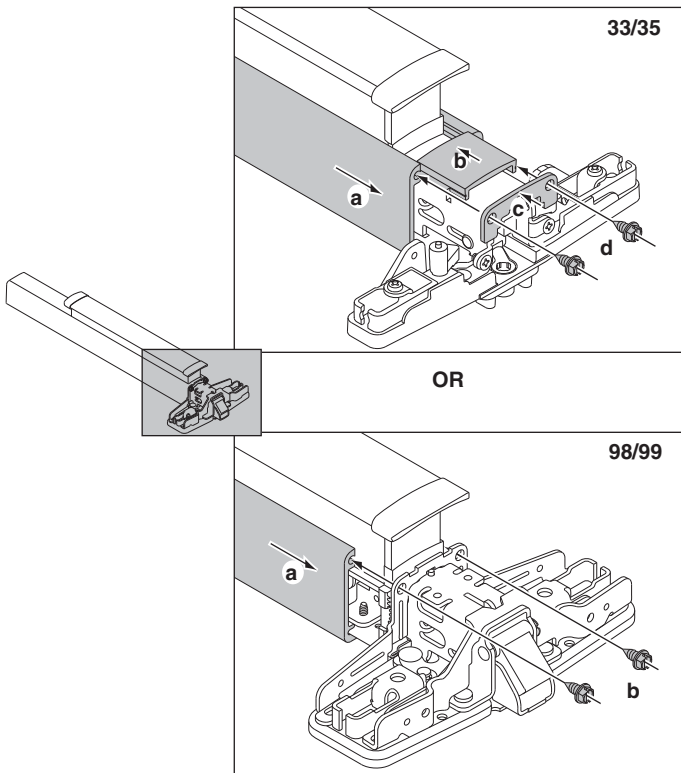
### Remove Old QEL Motor Assembly



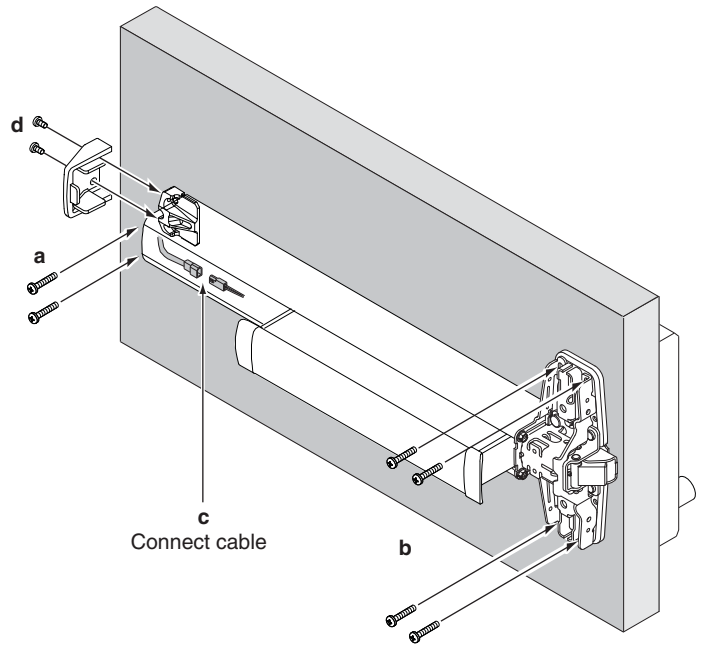
## 6 Install New QEL Motor Assembly



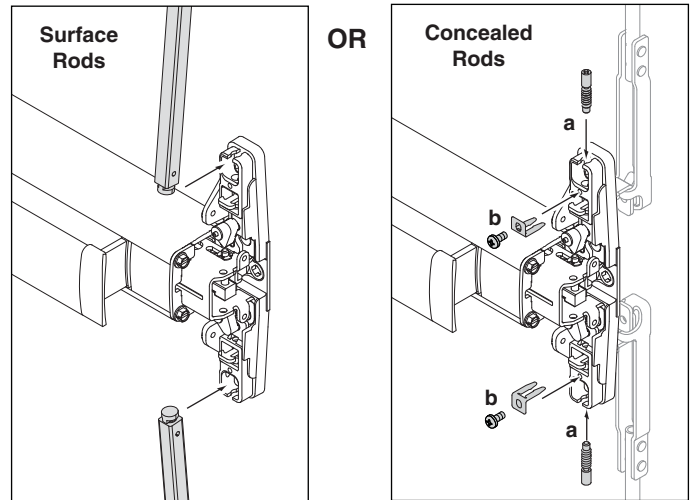
## 7 Install Mechanism Case



## 8 Attach Exit Device to Door



## 9 For Vertical Devices ONLY, Attach Vertical Rods:



For more detailed installation instructions for specific exit devices, visit the Von Duprin website;  
[www.vonduprin.com/installation\\_instruction\\_library.asp](http://www.vonduprin.com/installation_instruction_library.asp)