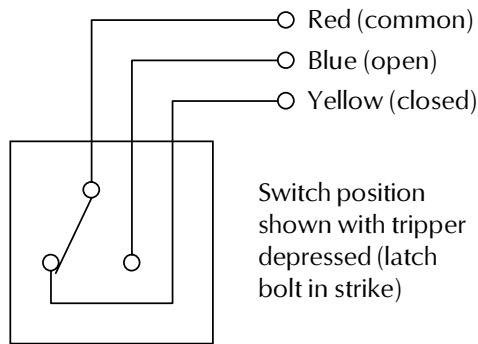


# VON DUPRIN®

## INSTALLATION INSTRUCTIONS

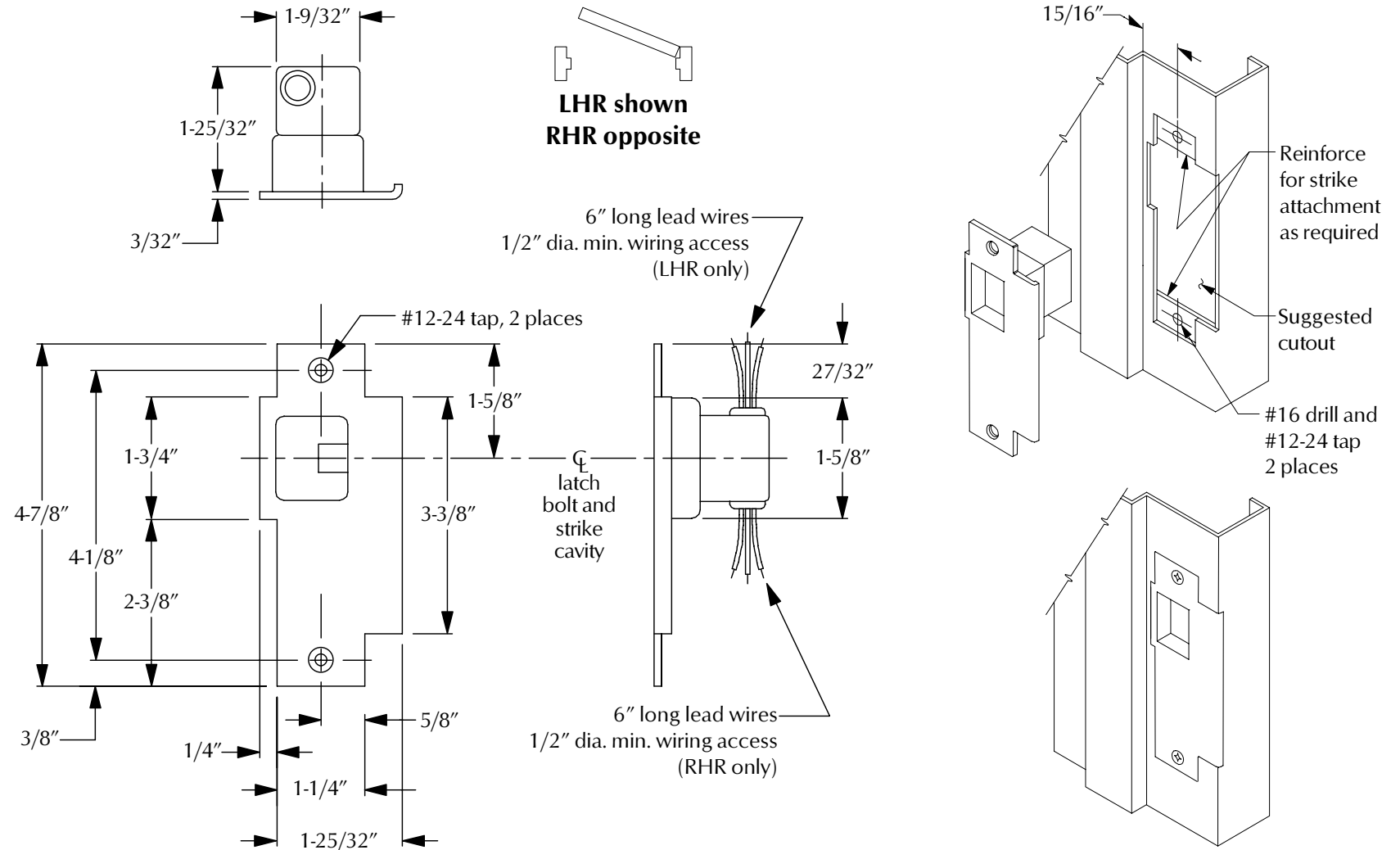
1. Prepare door for exit device per exit device instructions.
2. Prepare door for lock per lock instructions.
3. Prepare frame for monitor strike as shown.
4. Connect wires from strike to lead.
5. Install mortise lock.
6. Secure strike to frame using the two #12-24 screws in the mounting hardware package.
7. Check operation of strike.

### Wiring Diagram



Lock Application Schedule		
Manufacturer	Model	Throw
Corbin Russwin	ML2000 (T-2 tripper)	3/4"
Sargent	7800/8200 (T-2 tripper)	3/4"
Von Duprin	7500 (T-1 tripper)	3/4"

FOR MORTISE LOCKS WITH AUXILIARY BOLT **BELOW** LATCH BOLT  
(SEE OTHER SIDE FOR MORTISE LOCKS WITH AUXILIARY BOLT **ABOVE** LATCH BOLT)



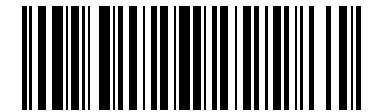
**IR** Security & Safety  
Proven Source. Proven Solutions.™

**4582 MONITOR STRIKE**  
FOR USE WITH MORTISE LOCKS  
WITH AUXILIARY BOLT **BELOW** LATCH BOLT

Copyright © 2004 Ingersoll-Rand.  
All rights reserved.

PAGE NO.  
**1 of 2**

REVISION  
**4**



931213-00

# VON DUPRIN®

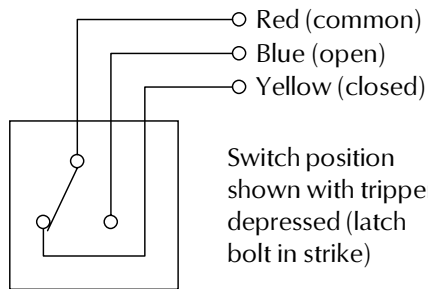
FOR MORTISE LOCKS WITH AUXILIARY BOLT **ABOVE** LATCH BOLT

(SEE OTHER SIDE FOR MORTISE LOCKS WITH AUXILIARY BOLT **BELOW** LATCH BOLT)

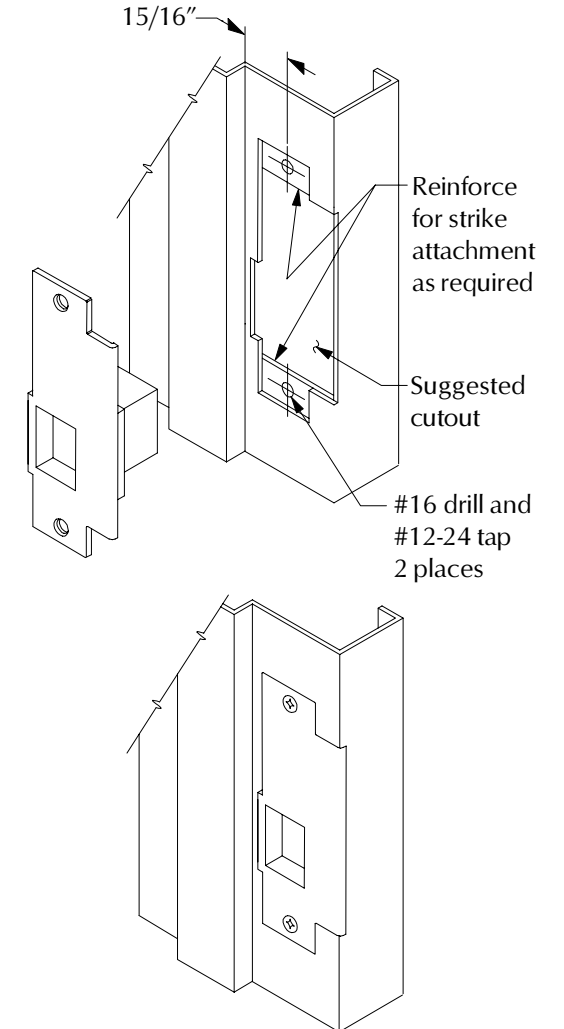
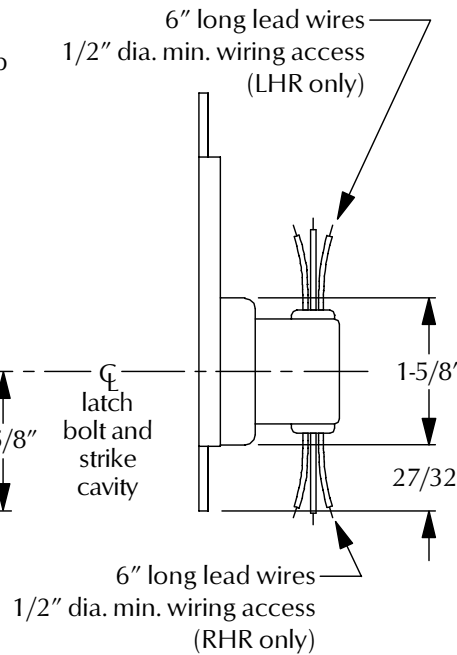
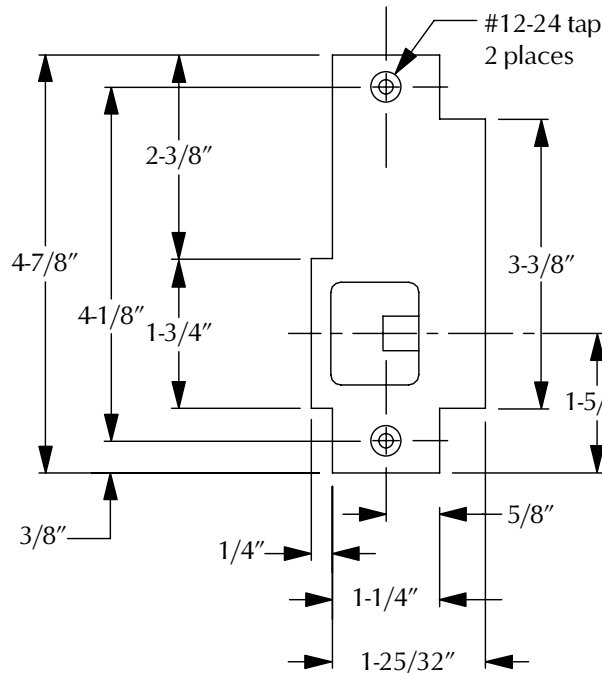
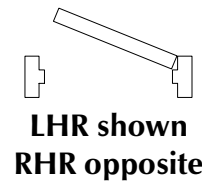
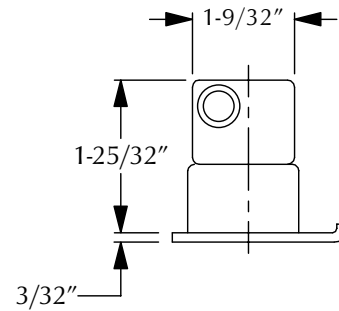
## INSTALLATION INSTRUCTIONS

1. Prepare door for exit device per exit device instructions.
2. Prepare door for lock per lock instructions.
3. Prepare frame for monitor strike as shown.
4. Connect wires from strike to lead.
5. Install mortise lock.
6. Secure strike to frame using the two #12-24 screws in the mounting hardware package.
7. Check operation of strike.

### Wiring Diagram



Lock Application Schedule, T-2 Tripper		
Manufacturer	Model	Throw
Baldwin	6000	5/8"
Best	24H/25H/34H/35H	3/4"
Corbin	9500	3/4"
Russwin	5000	3/4"
Sargent	900	3/4"
Sargent	7700/8100	3/4"
Schlage	L9000	3/4"



**4582 MONITOR STRIKE**  
FOR USE WITH MORTISE LOCKS  
WITH AUXILIARY BOLT **ABOVE** LATCH BOLT

Copyright © 2004 Ingersoll-Rand. All rights reserved.

PAGE NO. **2 of 2**

REVISION **4**

**931213-00**