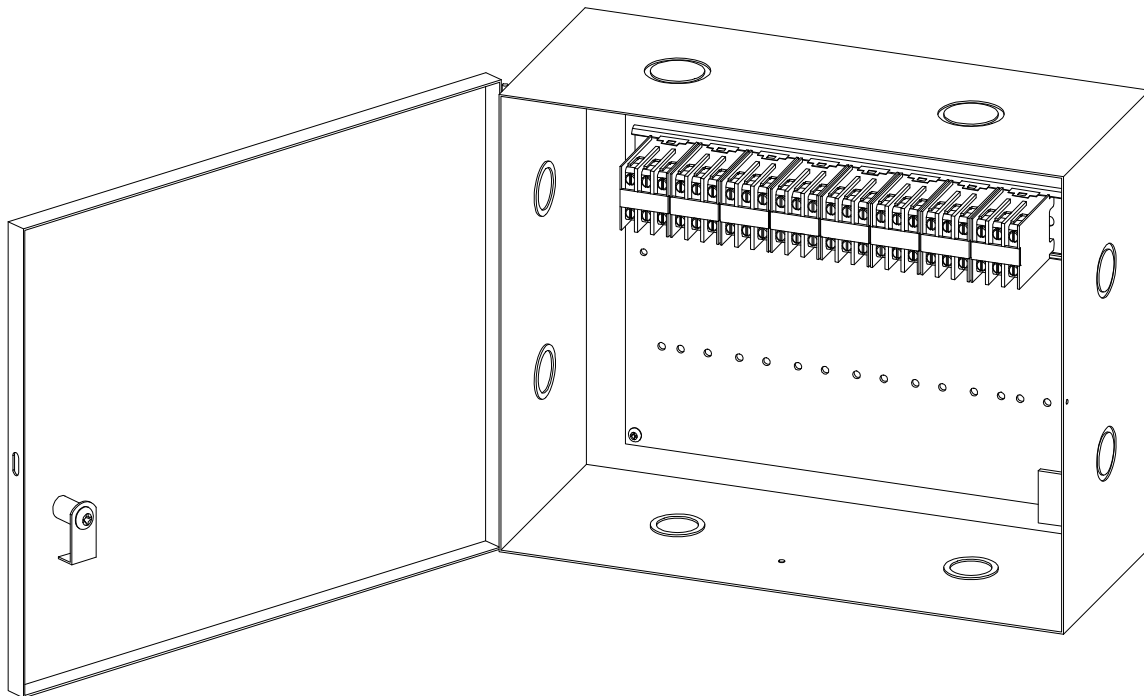


# JB7 Junction Box and Relays



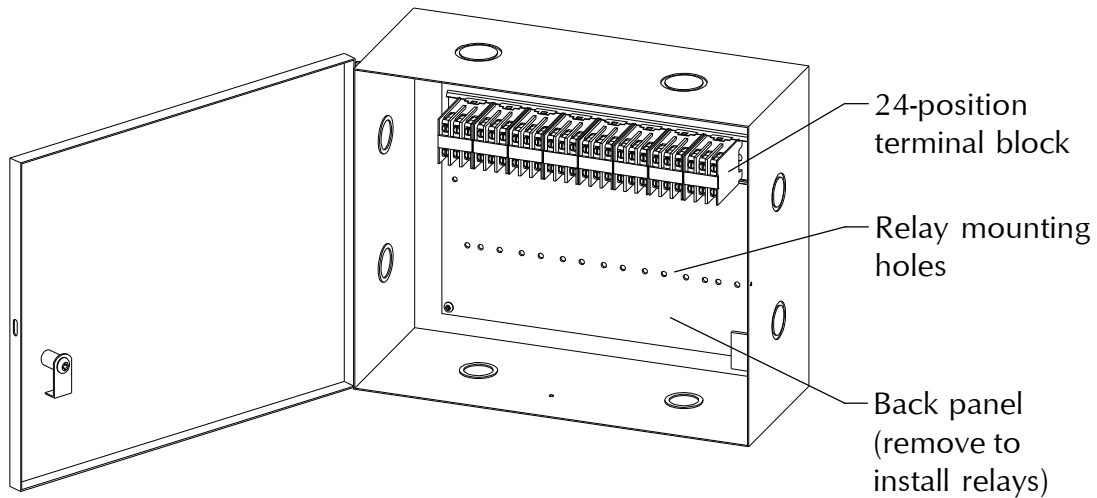
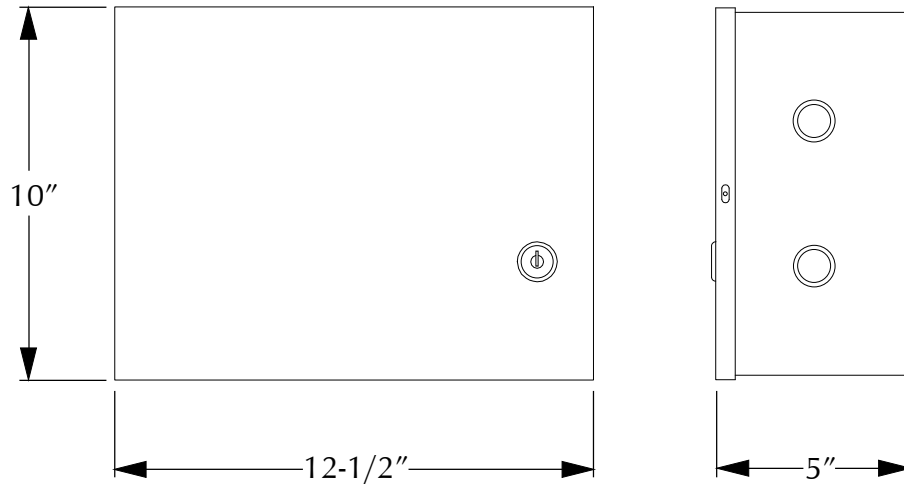
### Products covered by these instructions:

- JB7** Junction Box (only)
- JB7-R1** Junction Box with SPDT Relay
- JB7-R2** Junction Box with DPDT Relay
- JB7-R3** Junction Box with DPDT Delay on Make Relay
- JB7-R4** Junction Box with DPDT Delay on Break Relay
- R5** SPDT Relay (only)
- R6** DPDT Relay (only)
- R7** DPDT Delay on Make Relay (only)
- R8** DPDT Delay on Break Relay (only)

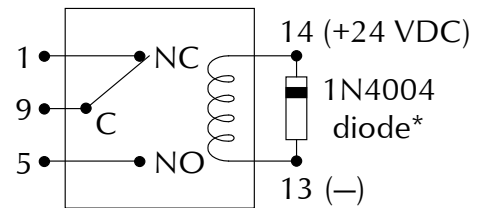
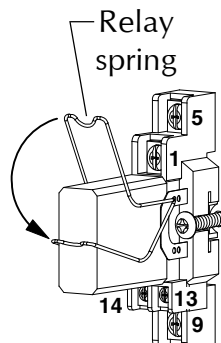
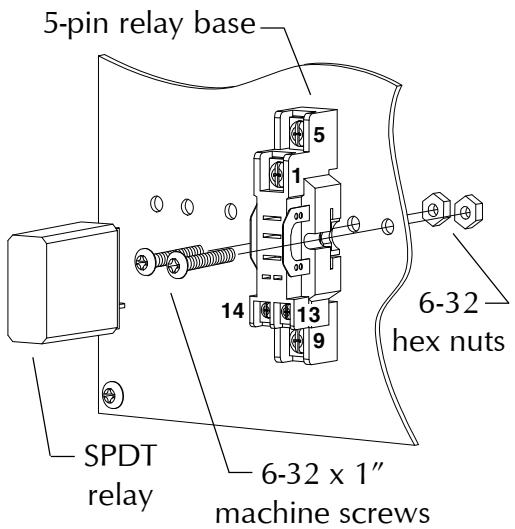
### Index:

- JB7 Junction Box ..... 2
- SPDT Relay ..... 2
- DPDT Relay ..... 3
- DPDT Delay on Make Relay ..... 3
- DPDT Delay on Break Relay ..... 4

# JB7 JUNCTION BOX

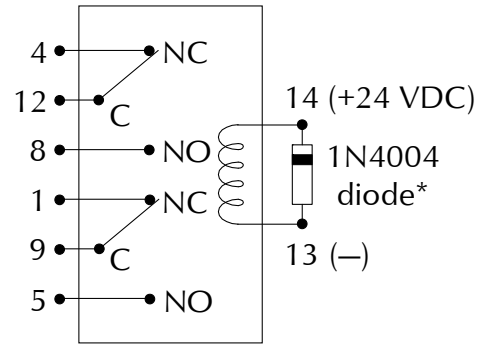
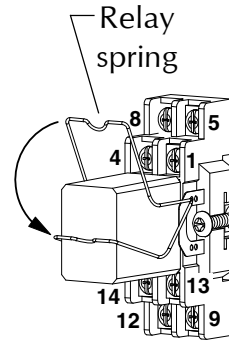
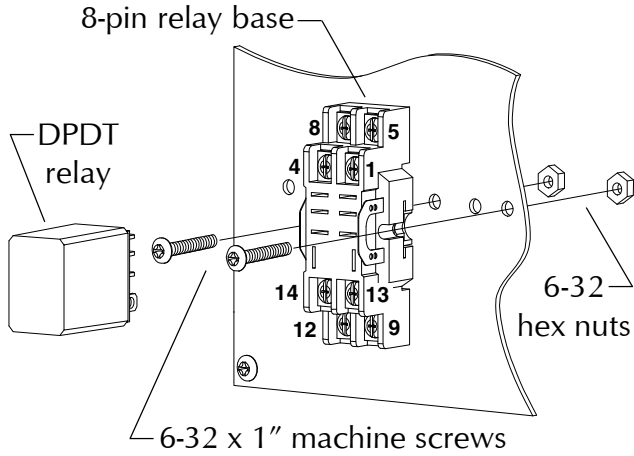


## SPDT 24 VDC RELAY (JB7-R1 AND R5)



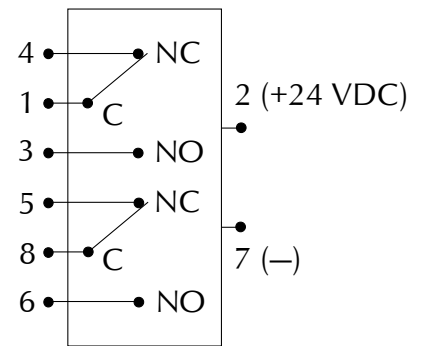
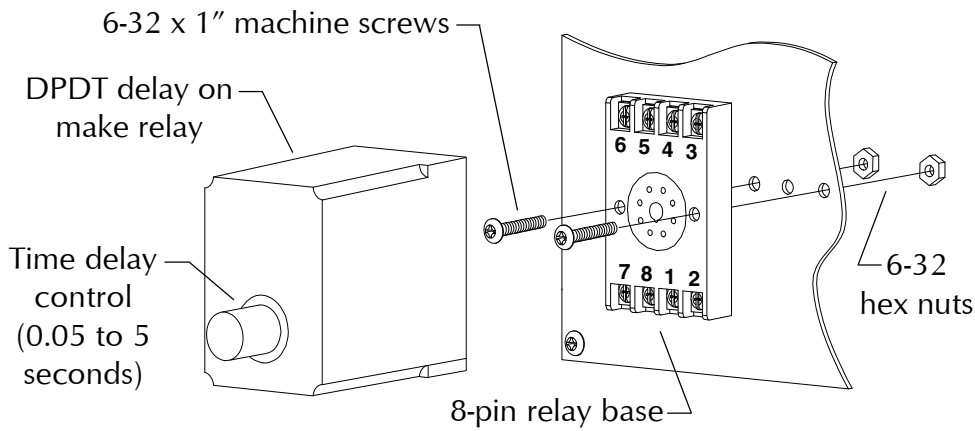
**Relay Base Wiring**  
 (\*1N4001 or 1N4002 can be substituted; diode not included)

## DPDT 24 VDC RELAY (JB7-R2 AND R6)



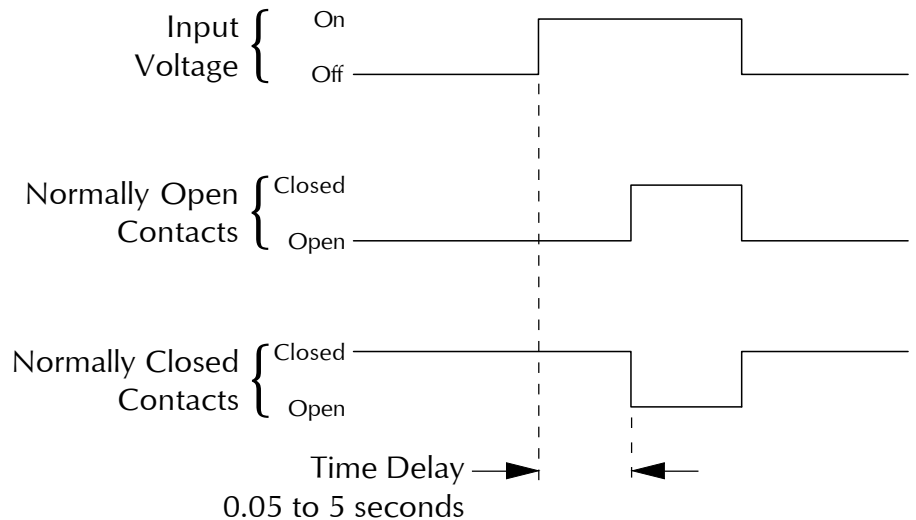
**Relay Base Wiring**  
 (\*1N4001 or 1N4002 can be substituted; diode not included)

## DPDT 24 VDC DELAY ON MAKE RELAY (JB7-R3 AND R7)

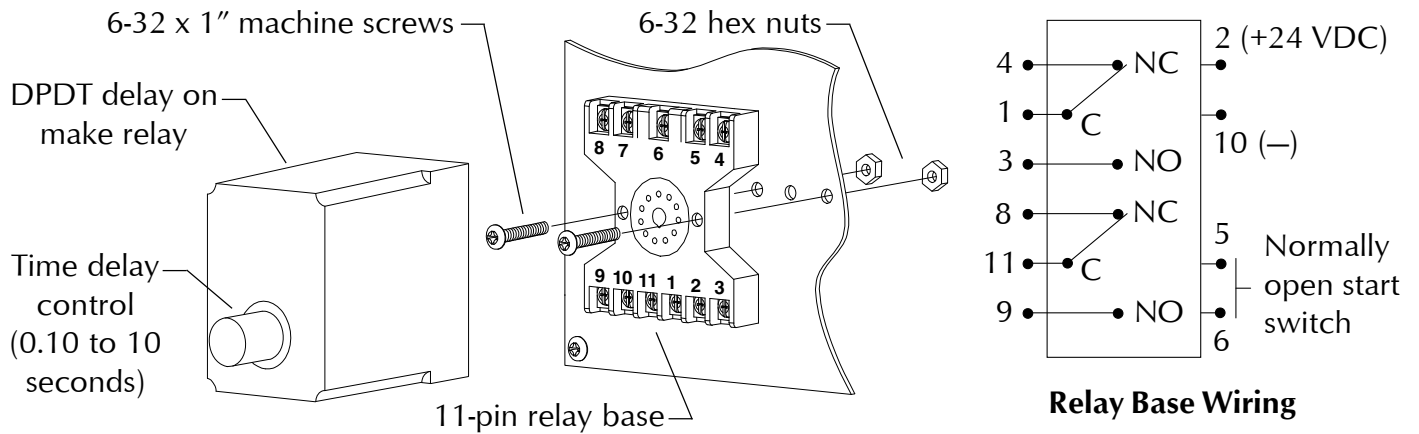


**Relay Base Wiring**

**Delay on Make Operation:** When power is applied to the input terminals (2 and 7), the time delay starts. At the end of the preset time delay, the output contacts transfer. Removing input power resets the relay.



# DPDT 24 VDC DELAY ON BREAK RELAY (JB7-R4 AND R8)



**Delay on Break Operation:** Power is applied to the input terminals (2 and 10) at all times. When the normally open start switch is closed, the output contacts transfer and remain in this position as long as the start switch is kept closed. When the start switch is opened, the time delay starts. At the end of the preset time delay, the output contacts transfer back to their original position and the relay resets.

