

INSTALLATION DIRECTIONS

BEFORE APPLYING THIS DEVICE

- A. Threshold (if any) must be installed.
- B. Doors must be fitted and hung.
- C. Check that handing of hardware corresponds with handing of door. (See instruction sheet #41023 for changing the device handing, if necessary.)

1. APPLY STRIKE

- A. Tape appropriate strike template to stop.
- B. When Von Duprin Mullion is used apply strike at tapped holes in Mullion. (See illustration 1, 2, or 3.)
- C. For single door application. (See illustration 4, 5 or 6)

2. PREPARE DOOR

- A. Tape full size template No. 1 or 2, depending on handing of door, to inside face of lock stile. See device height schedule.

**BE SURE CENTERLINE OF LOCK STILE CASE IS PARALLEL TO STOP AND THAT EDGE OF CASE IS 3/16" FROM EDGE OF STRIKE. STRIKE MUST BE SHIMMED OUT IF LOCK CASE IS MOUNTED MORE THAN 3/16" FROM STRIKE.**

- B. Prepare door as shown. See Fig. 1 for wood door application, and Fig. 2 for metal door application.

3. APPLY OUTSIDE TRIM FOR DT APPLICATION ONLY

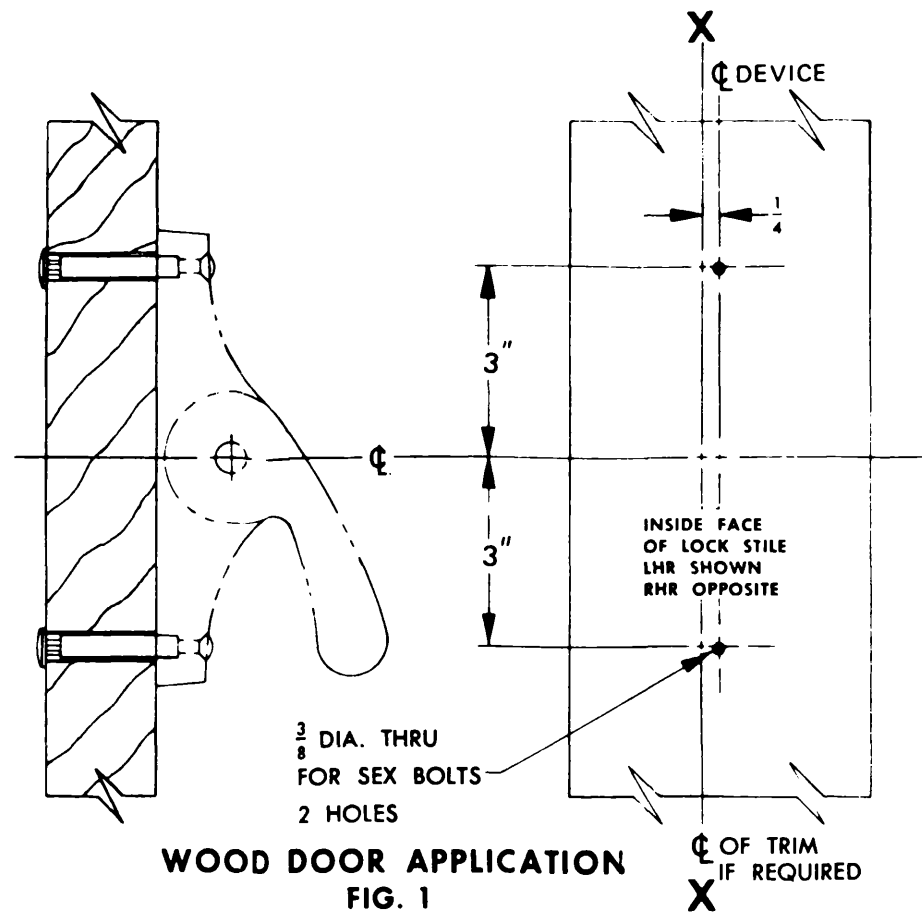
- A. See directions in trim carton, if required. Line "X-X" on trim template corresponds to line "X-X" on device template and is parallel to edge of door. Transfer line "X-X" from inside face to outside face of door.
- B. Prepare outside face of lock stile.
- C. Apply outside trim.

4. APPLY LOCK STILE CASE

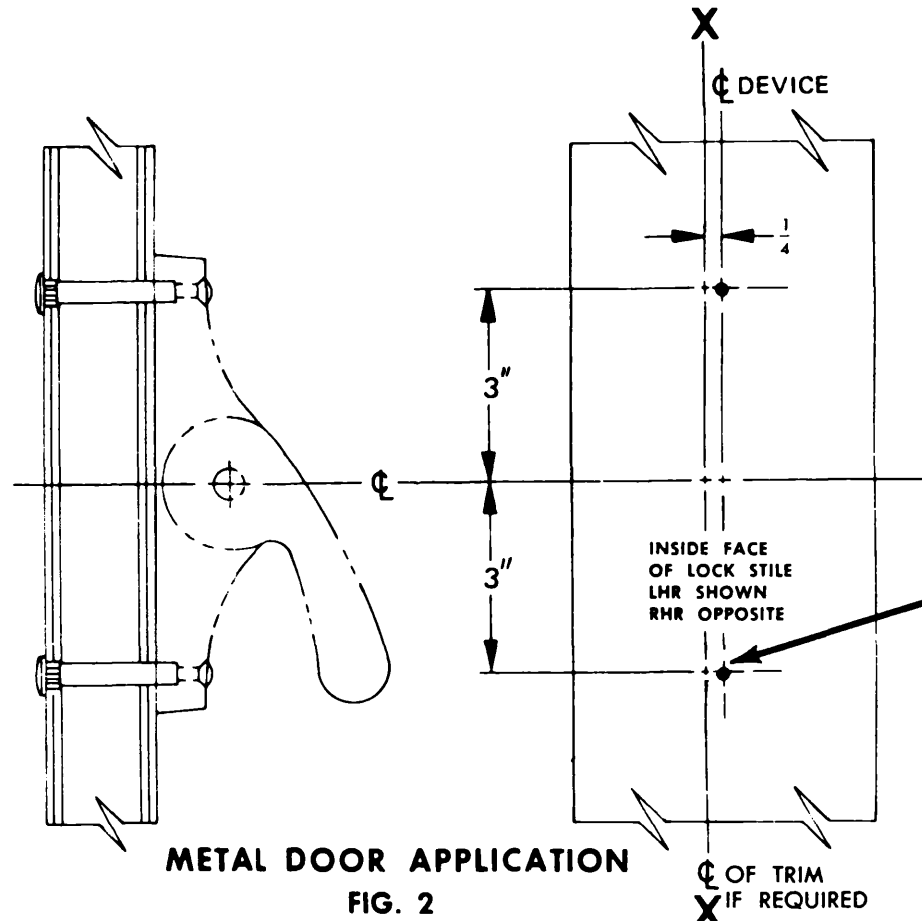
- A. Attach lock stile case to door. (See Fig. 1 or Fig. 2)

5. APPLY HINGE STILE CASE AND CROSSBAR TUBE (FIG. 4)

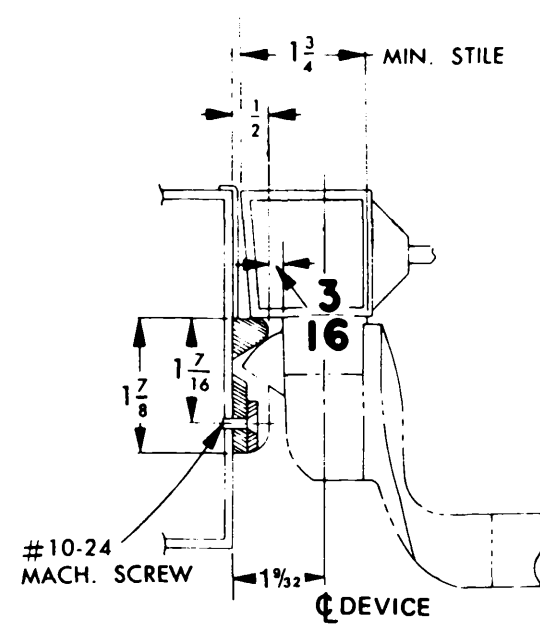
- A. Dog lever arms in depressed position.
- B. Slip crossbar tube on lock stile and hinge stile lever arms. (See Direction No. 941009 for cutting crossbar, if necessary.)
- C. Be sure crossbar is level and hinge stile case is parallel to edge of door and approximately on centerline of exposed stile.
- D. Using holes in hinge stile case, mark location and prepare door for sex bolts.
- E. Apply hinge stile case with crossbar in place.
- F. Tighten wedge-tite set screws securely with dog key and screwdriver or equivalent for leverage and test crossbar for free action. (See Direction No. 941009 for these instructions.)



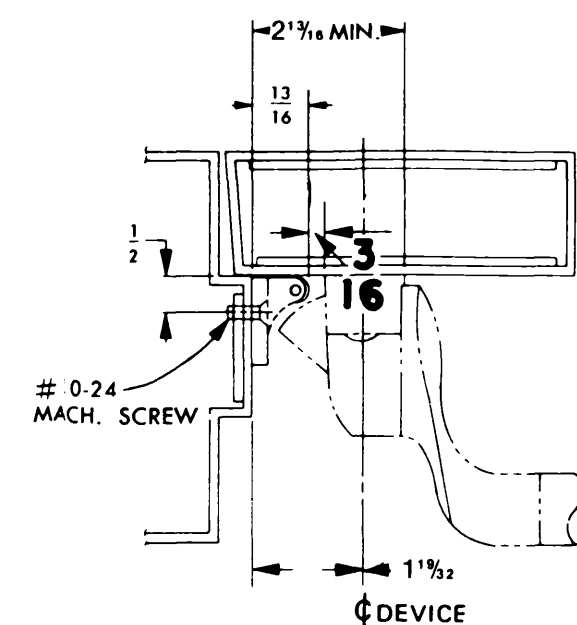
WOOD DOOR APPLICATION FIG. 1



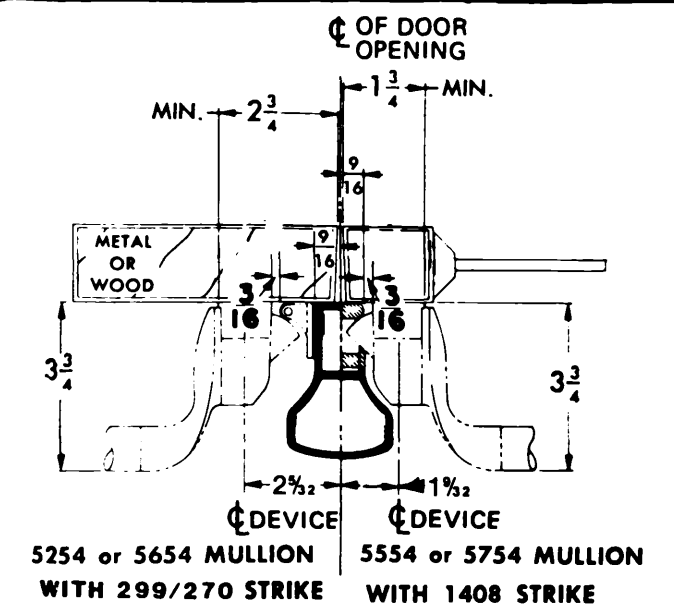
METAL DOOR APPLICATION FIG. 2



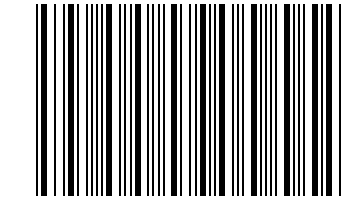
ILLUST. 4 1409 & 1439 STRIKE SINGLE DOOR NARROW STILE



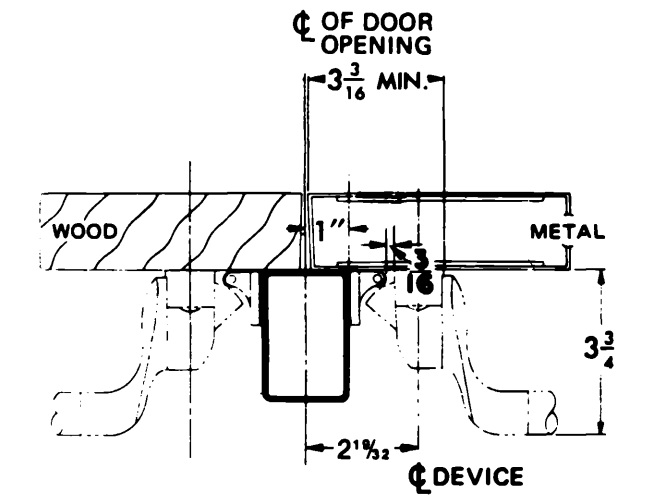
299/270 STRIKE SINGLE DOOR WIDE STILE ILLUST. 5



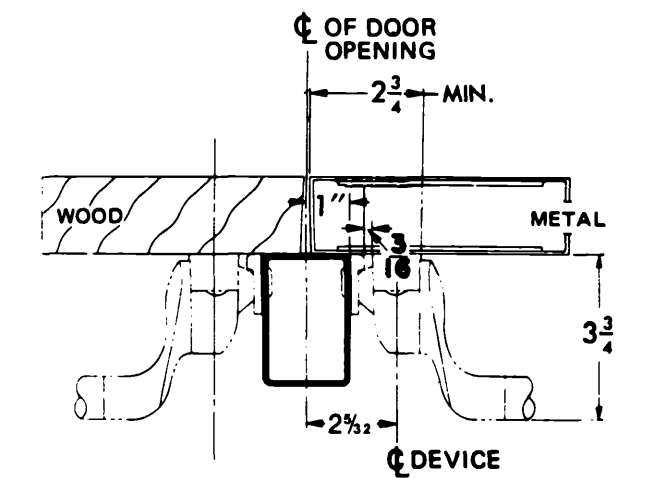
ILLUST. 1 5254 or 5654 MULLION WITH 299/270 STRIKE 5554 or 5754 MULLION WITH 1408 STRIKE



911061-00



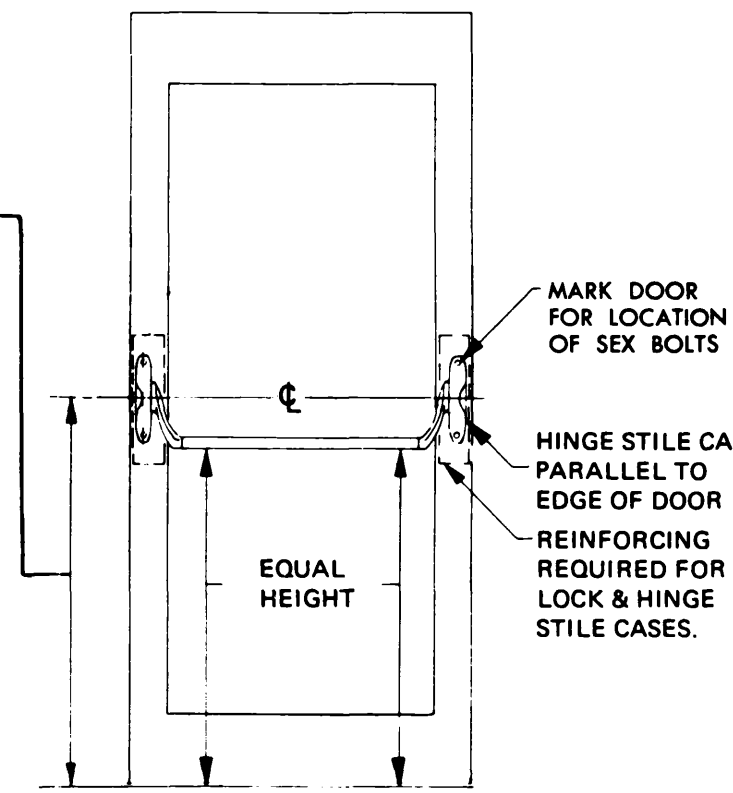
ILLUST. 2 4954 MULLION WITH 299/270 STRIKE



ILLUST. 3 1654 MULLION WITH 1806 STRIKE

SINGLE DOOR OPENING 39-13/16 TO FINISHED FLOOR	
DOUBLE DOOR OPENING WITH VON DUPRIN MULLION AND THRESHOLD	
THRESHOLD NO.	TO FIN. FLOOR
350 or 360	39-11/16
355 or 365	39-13/16
390	39-15/16
ALL OTHER THRESHOLDS	39-11/16
NO THRESHOLD (FLAT SILL)	39-11/16

STD APPLICATION	
3/8 DIA. THRU ENLARGE TO 13/32 DIA. OUTSIDE FACE OF DOOR FOR SEX BOLTS	2 HOLES
243 & E243 TRIM	
#12-24 TAP	INSIDE FACE OF DOOR 2 HOLES



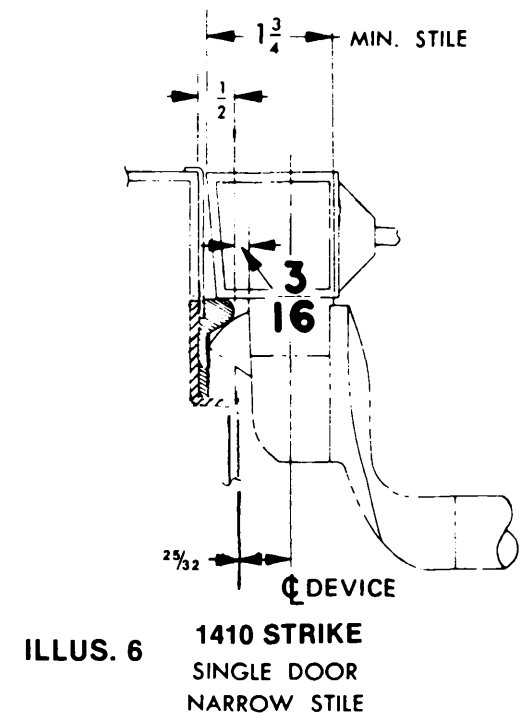
DESCRIPTION 55E0 & 55DT SERIES RIM DEVICES

DIRECTION NUMBER 911061-00(10) DATE 7/1/03

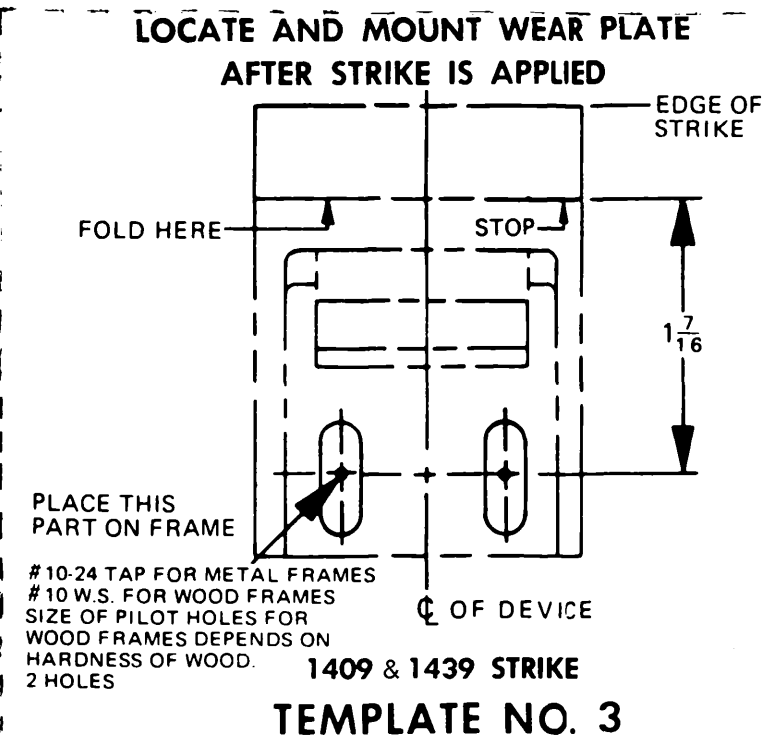
FOR TRIM APPLICATION SEE DIRECTIONS IN TRIM CARTON IF REQUIRED



1410 STRIKE

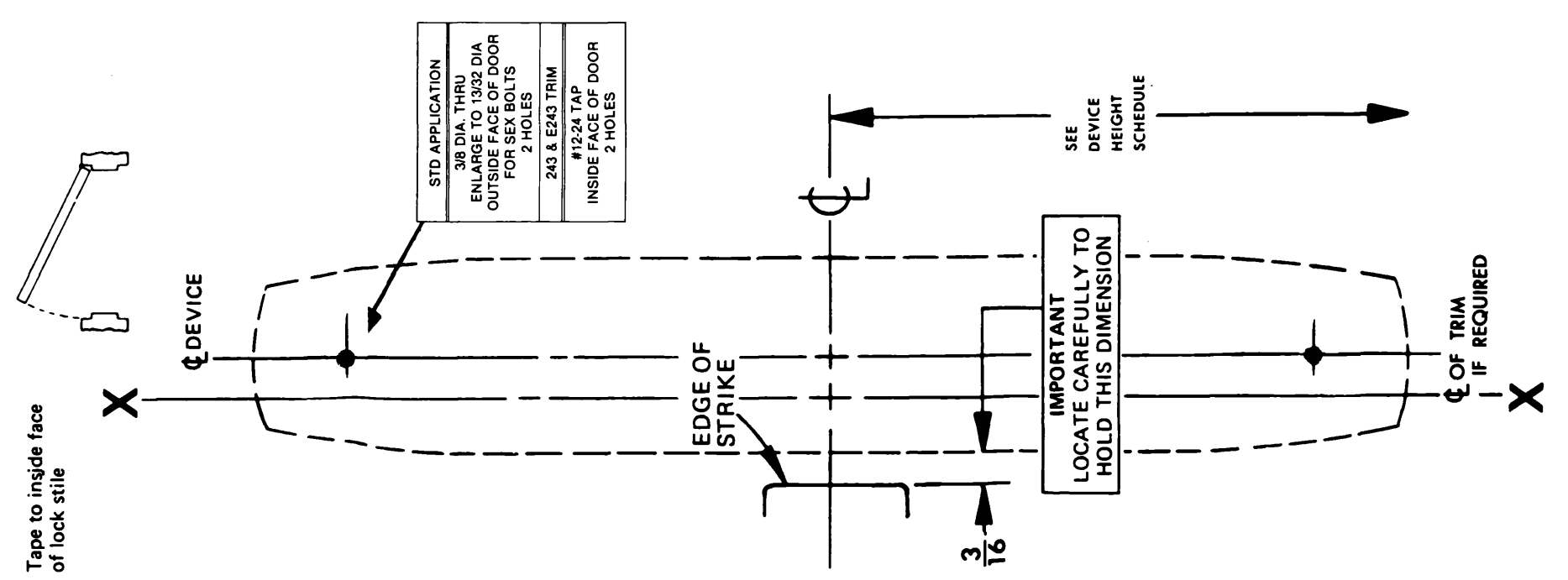


ILLUS. 6 1410 STRIKE SINGLE DOOR NARROW STILE

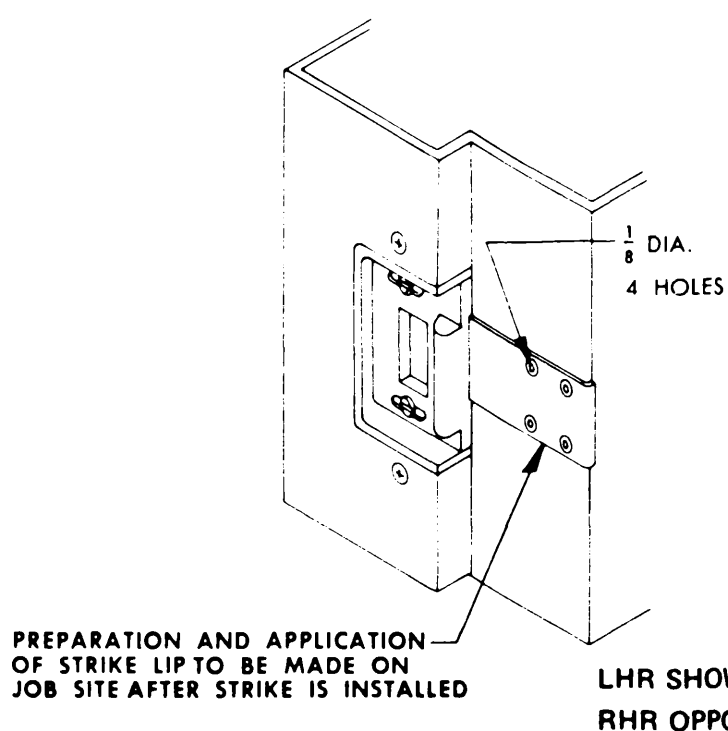


TEMPLATE NO. 3 1409 & 1439 STRIKE

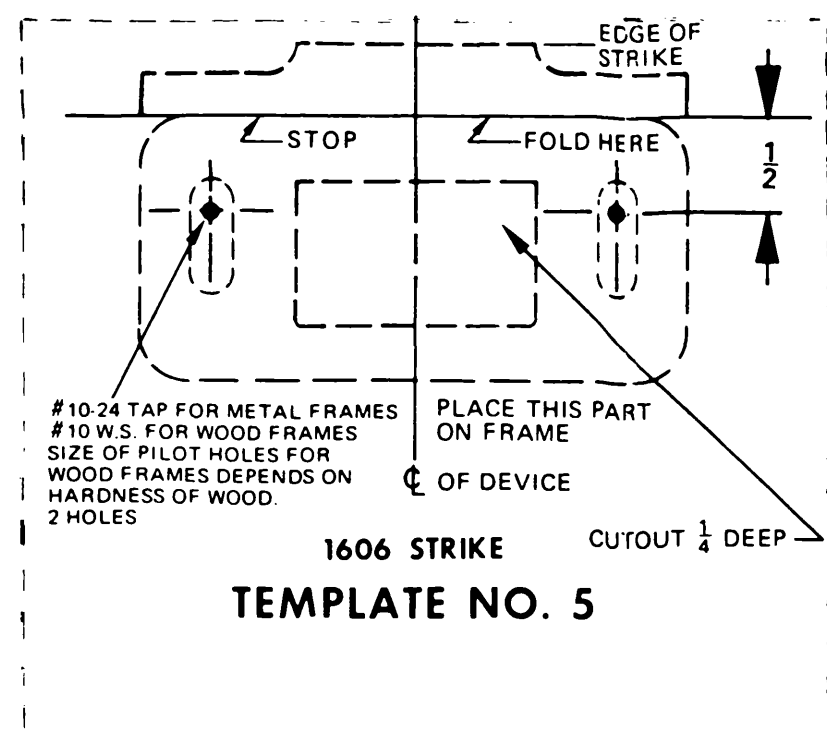
LOCK CASE TEMPLATE FOR LHR DOOR



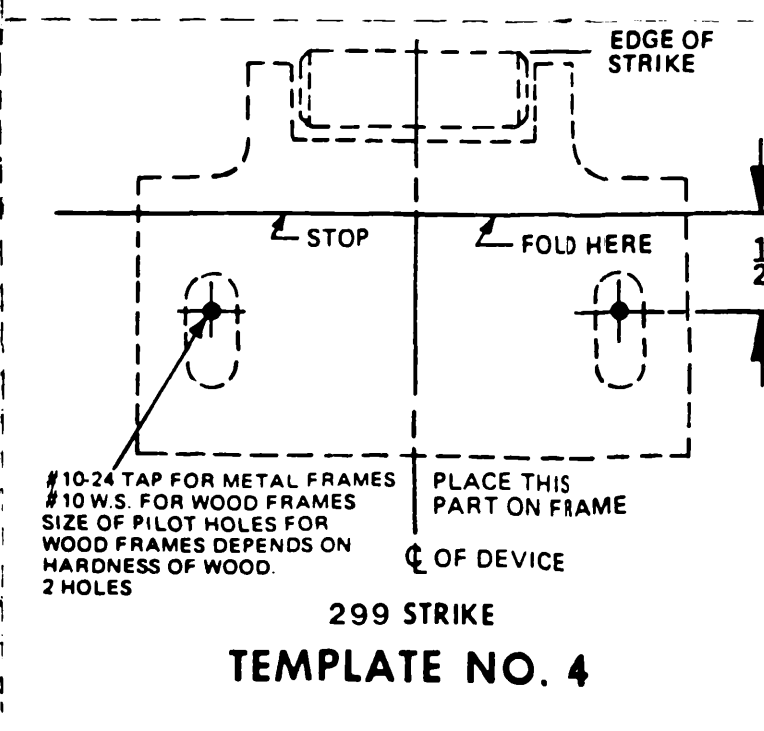
TEMPLATE NO. 1



LHR SHOWN RHR OPPOSITE

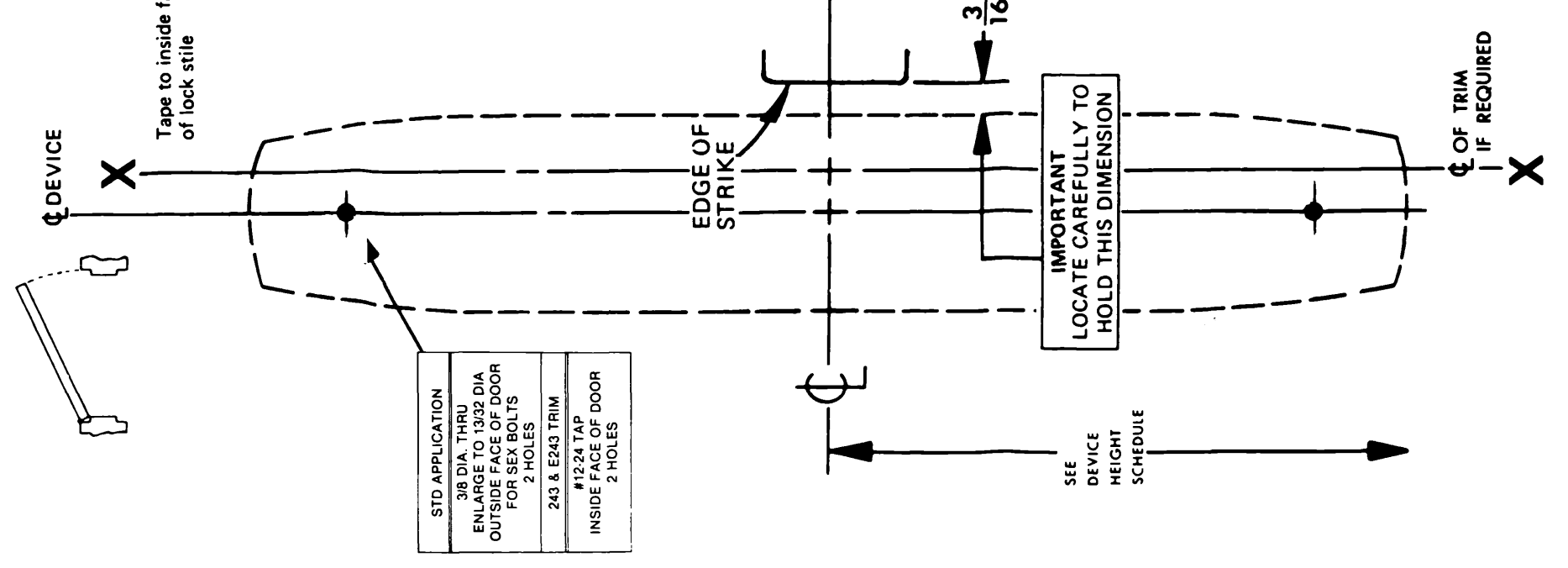


TEMPLATE NO. 5 1606 STRIKE



TEMPLATE NO. 4 299 STRIKE

LOCK CASE TEMPLATE FOR RHR DOOR



TEMPLATE NO. 2