

VON DUPRIN®

Installation Instructions

5575/5575F METAL DOOR

INSTALLATION INSTRUCTIONS:

1. Install threshold(s), if used, and fit and hang door(s).
2. Check that device handing matches door handing. If not, change device handing (see instructions in reversing package).
3. Tape full size RHR or LHR lock stile case and hinge stile case templates to inside face of door (Figure 1). Be sure center line of device is 39-13/16" from finished floor. Prepare inside face of door for device per templates.
4. Prepare lock stile of door for mortise lock (see mortise lock instructions 941019).
5. Prepare outside face of lock stile for trim (see trim instructions 941127). Line X-X on trim instructions corresponds to line X-X on device template.
6. Prepare trim for installation (see trim instructions).
7. Install mortise lock (see Figure 2).
8. For 1-3/4" thick doors, cut 1/4" off device lift finger.
9. Install 1/4-28 hex studs in door (Figure 3).
10. Attach device cases to 1/4-28 hex studs using #12-24 machine screws (Figure 3).
11. Push down lock stile lever arm and check for full retraction of latch bolt. Release and check for full extension (3/4").
12. Measure dimension "X" (Figure 3) and cut crossbar tube to dimension "X." Cut end without hole.
13. Install crossbar tube and wedge assembly (see instructions 941009) and test crossbar for free action.
14. Prepare frame for strike (Figure 4).
15. Install strike to frame with two #12-12 x 12-24 x 1" combination screws.

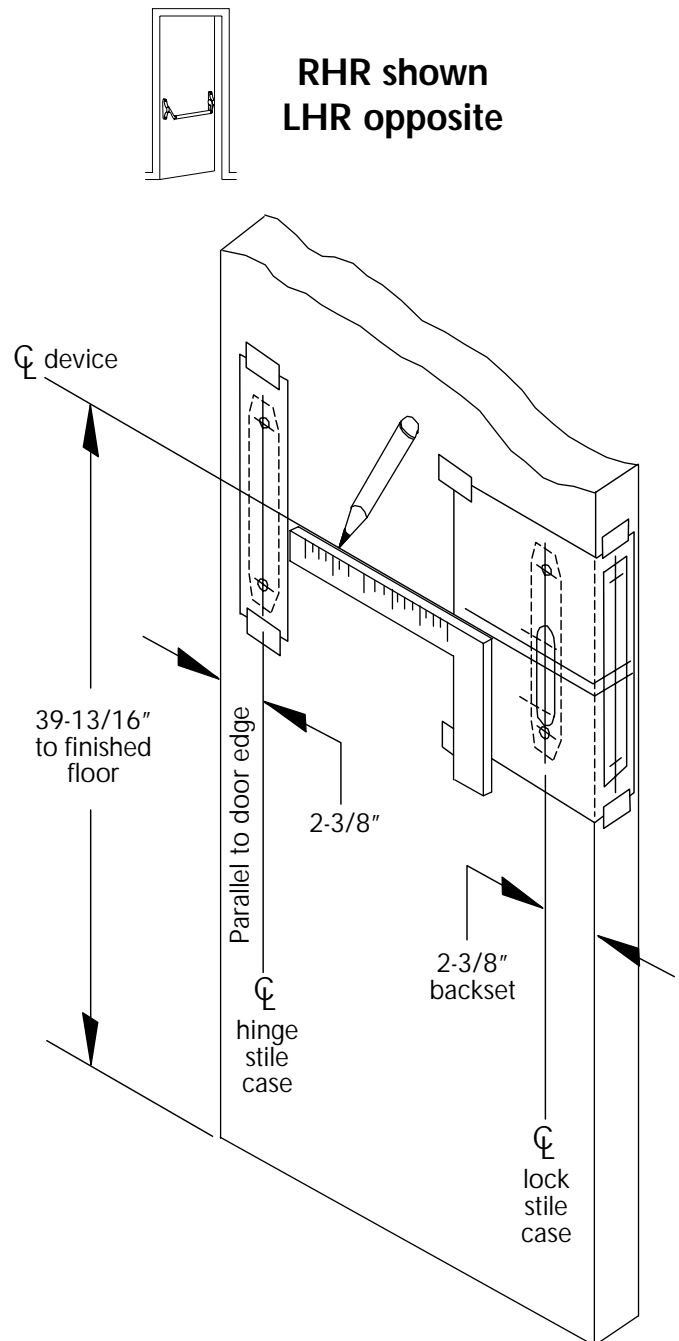


Figure 1

IR VON DUPRIN®

FAX version 911068_00(5) Page 1 of 5

Figure 2. Install Mortise Lock

1. Remove retaining screws, scalp plate, and insert.
2. Adjust faceplate for door bevel:
 - (a) Loosen top and bottom faceplate screws.
 - (b) Pivot faceplate to match door bevel.
 - (c) Tighten top and bottom faceplate screws.
3. Install mortise lock into door with two #12-12 x 12-24 combination screws.

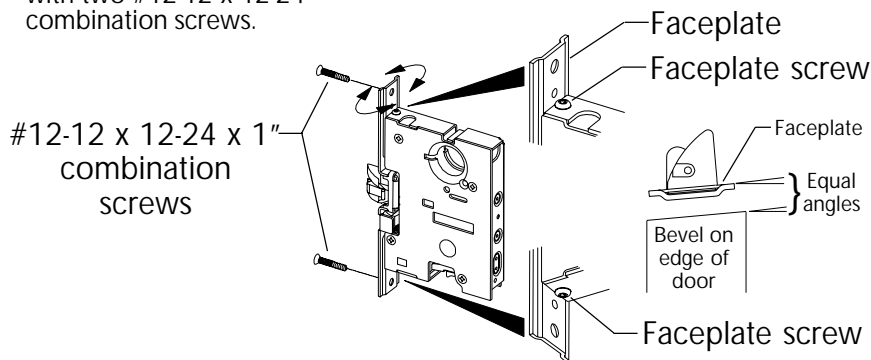
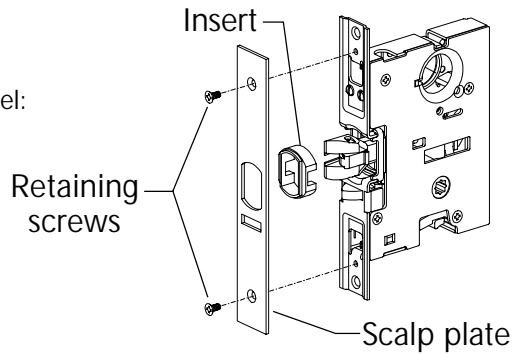
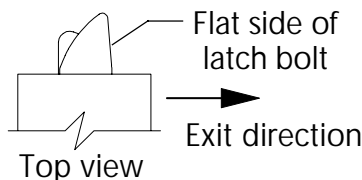
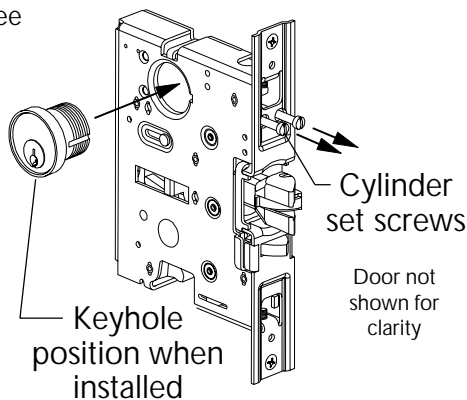


Figure 3. Install Mortise Cylinder

Note: When using 375L trim, see trim instructions for cylinder installation.

1. If using outside cylinder.
 - (a) Back out cylinder set screws enough to clear cylinder mounting hole.
 - (b) Thread cylinder into mortise lock through hole in outside face of door.
 - (c) Tighten the cylinder set screw that is closest to outside face of door. Remove the other cylinder set screw.
2. Rotate latch bolt so flat side faces exit direction.
3. Replace insert, scalp plate, and scalp plate retaining screws.



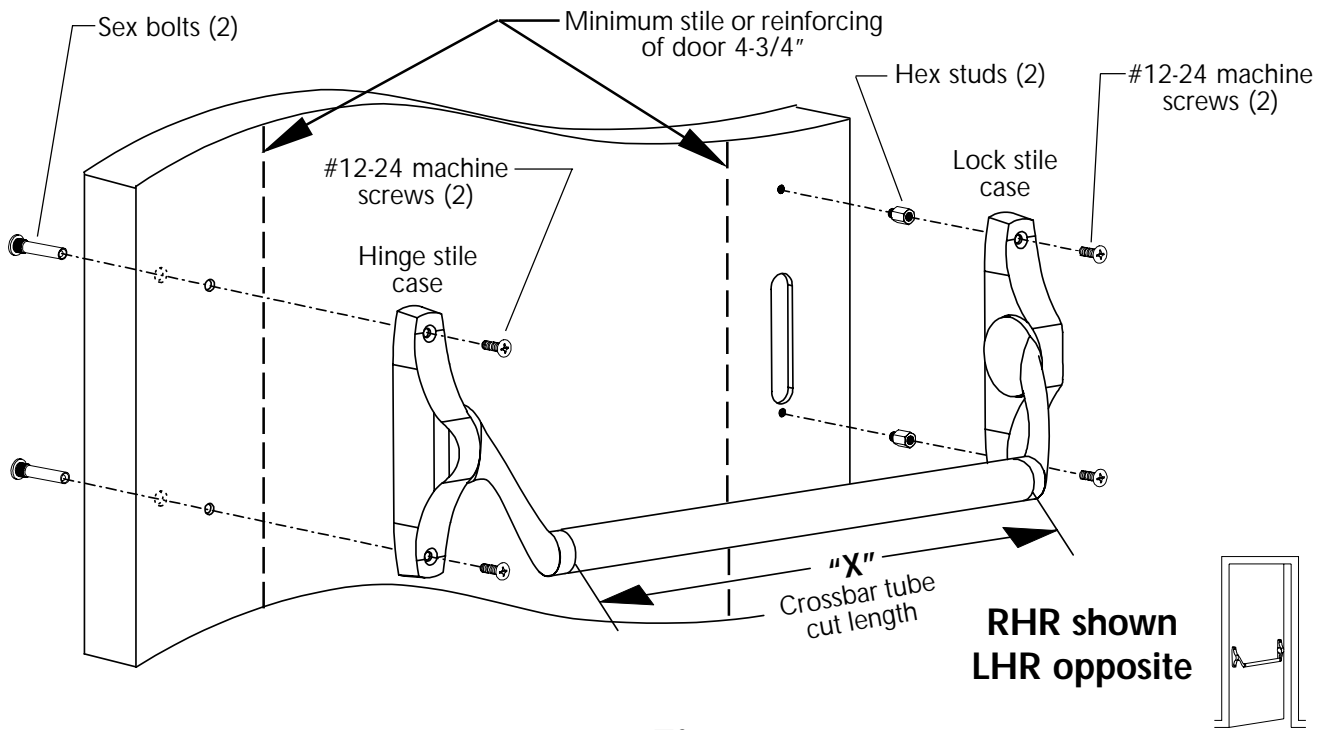


Figure 4

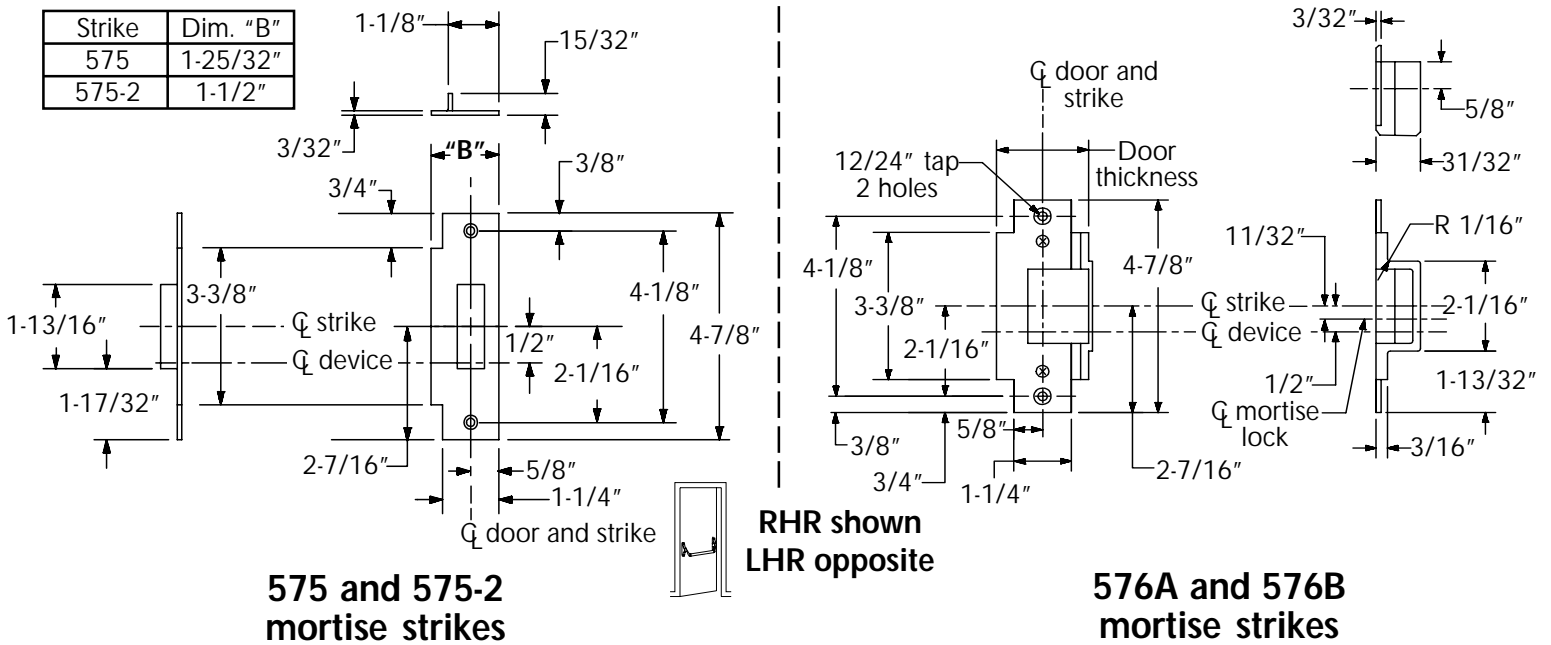


Figure 5

