

INSTALLATION DIRECTIONS

BEFORE APPLYING THIS DEVICE

- A. Threshold (if any) must be installed.
- B. Doors must be fitted and hung.
- C. Check that handing of hardware corresponds to handing of door.
- D. Apply Astragal (if any). See template No. 40106 for applying Astragal.

1. PREPARE DOOR

- A. Tape template No. 1 to inside face of lock stile. Be sure centerline "X-X" of template is parallel to edge of door and backset is as shown in schedule. Be sure centerline of device is 39-13/16" to finished floor.
- B. Prepare door as shown. See Fig. 1 for wood door application and Fig. 2 for metal door application.

2. APPLY OUTSIDE TRIM FOR DT APPLICATION ONLY

- A. See directions in trim carton if required. Line "X-X" on trim template corresponds to Line "X-X" on device template and is parallel to edge of door. Transfer Line "X-X" from inside face to outside face of door.
- B. Prepare outside face of lock stile.

3. INSTALL LEVER ARMS

- A. Insert lever arms into lock stile and hinge stile cases.
- B. Assemble axles and tighten securely. (See instructions in axle envelope.)

4. APPLY LOCK STILE CASE

- A. Attach lock stile to door. See Fig. 1 or 2.

5. APPLY HINGE STILE CASE AND CROSSBAR TUBE (FIG. 7)

- A. Dog lever arms in depressed position.
- B. Slip crossbar tube on lock stile and hinge stile lever arms. (See Direction Sheet 41009 for cutting crossbar.)
- C. Be sure crossbar is level and hinge stile case is parallel to edge of door and approximately on centerline of exposed stile.
- D. Using holes in hinge stile case, mark location and prepare door for attaching screws.
- E. Apply hinge stile case with crossbar in place.
- F. Tighten wedge-tite set screws securely with dog key and screwdriver or equivalent for leverage, and test crossbar for free action. (See Direction Sheet 41009 for these instructions.)

6. APPLY TOP LATCH CASE AND STRIKE

- A. Close door against stop.
- B. Tape template No. 2, 3, or 4 to door and surface indicated on template.
- C. Prepare door and soffit for latch case and strike and apply.

7. APPLY TOP ROD

- A. Block door in open position.
- B. Check rod for correct length. See Direction Sheet 41028 for cutting 88 vertical rods.
- C. Drive in top rod connector.
- D. Attach top rod with rod guide, see Fig. 3. Adjust rod length so connector fits as shown. (Fig. 4 and 5.)

NOTE

BE SURE LATCH BOLT IS RETRACTED AND CROSSBAR IS DOGGED

8. APPLY BOTTOM LATCH CASE & STRIKE

- A. Close door so top bolt engages.
- B. Tape template No. 5, 6, or 7 to door and surface indicated on template.
- C. Prepare door and floor or threshold for latch case and strike and apply.

NOTES

(1) DO NOT CUT BOTTOM ROD.  
(2) BE SURE LATCH BOLT IS RETRACTED AND CROSSBAR IS DOGGED.

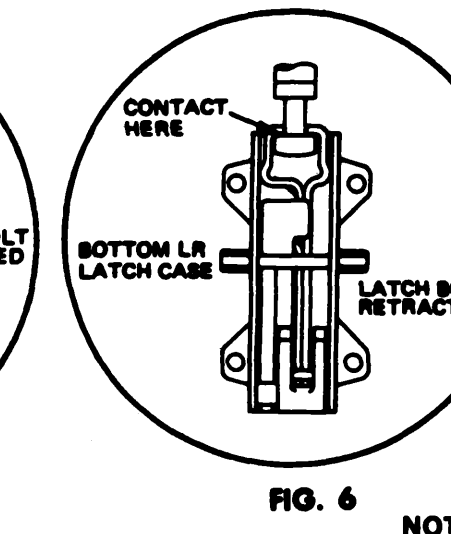
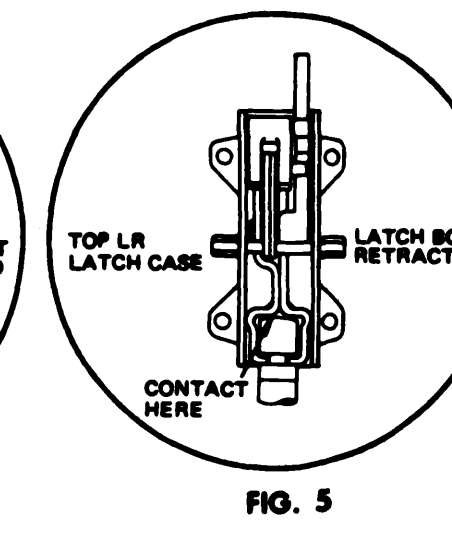
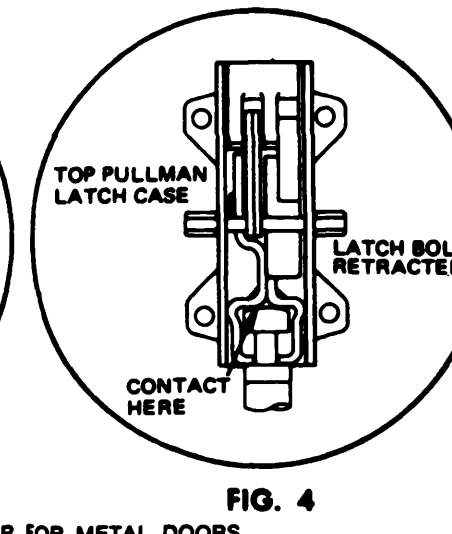
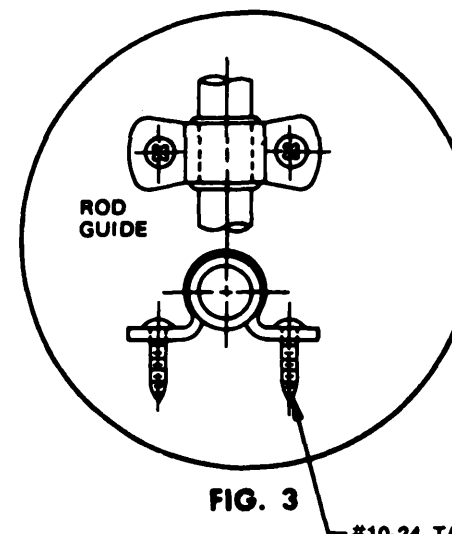
9. APPLY BOTTOM ROD

- A. Block door in open position.
- B. Retract bottom latch bolt.
- C. Adjust rod so rod connector fits as shown. (Fig. 6.)

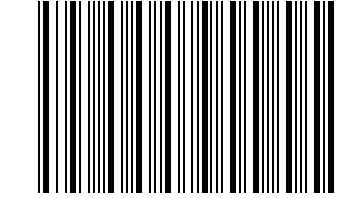
10. TEST DEVICE FOR FREE ACTION AND COMPLETE LATCH BOLT RETRACTION WHEN CROSSBAR IS DEPRESSED. IF LATCH BOLTS DO NOT RETRACT COMPLETELY, READJUST.

11. APPLY TOP AND BOTTOM LATCH CASE COVERS.

DEVICE BACKSET SCHEDULE		
INSTALLATION	PANELED DOOR	FLUSH DOOR
TWO VERT. ROD DEVICES	1/2 OF STILE	2-1/2"
VERT. ROD & MORT. DEVICE	2-3/4"	2-3/4"
SINGLE DOOR	1/2 OF STILE	2-3/4"
VERT. ROD & RIM DEVICE REQUIRES 1809J STRIKE	3"	3"
WHEN COORDINATOR IS USED BACKSET OF VERTICAL ROD DEVICE MUST BE	3"	3"



#10-24 TAP FOR METAL DOORS. SIZE OF PILOT HOLES FOR WOOD DOORS DEPENDS ON HARDNESS OF WOOD. 2 HOLES



NOTE: DO NOT CUT BOTTOM ROD

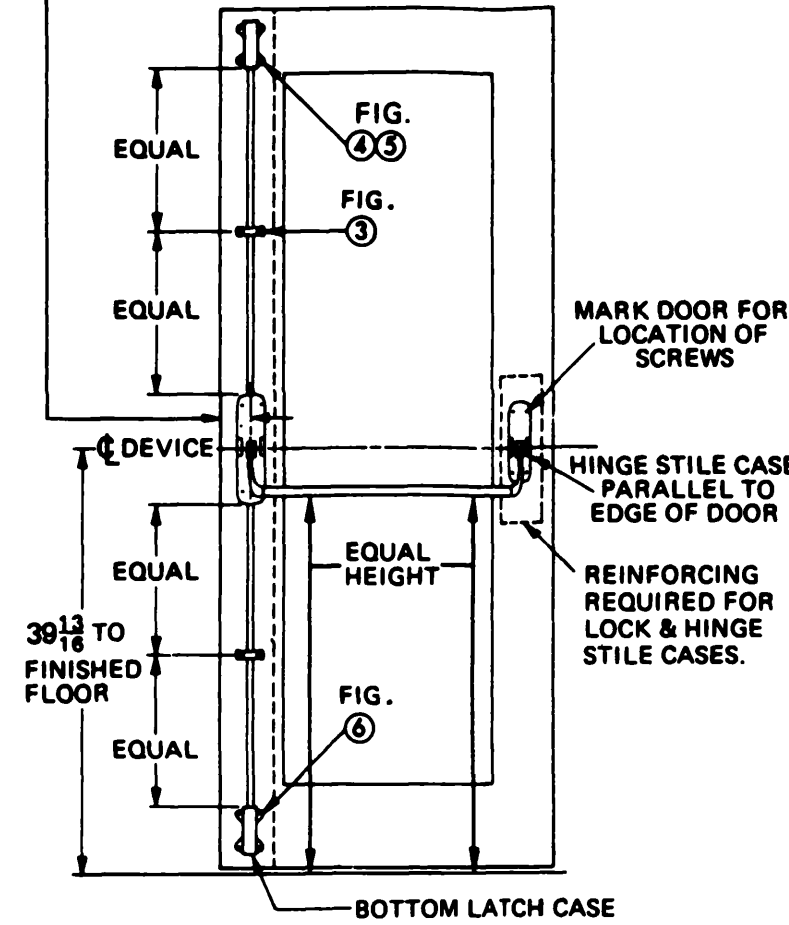
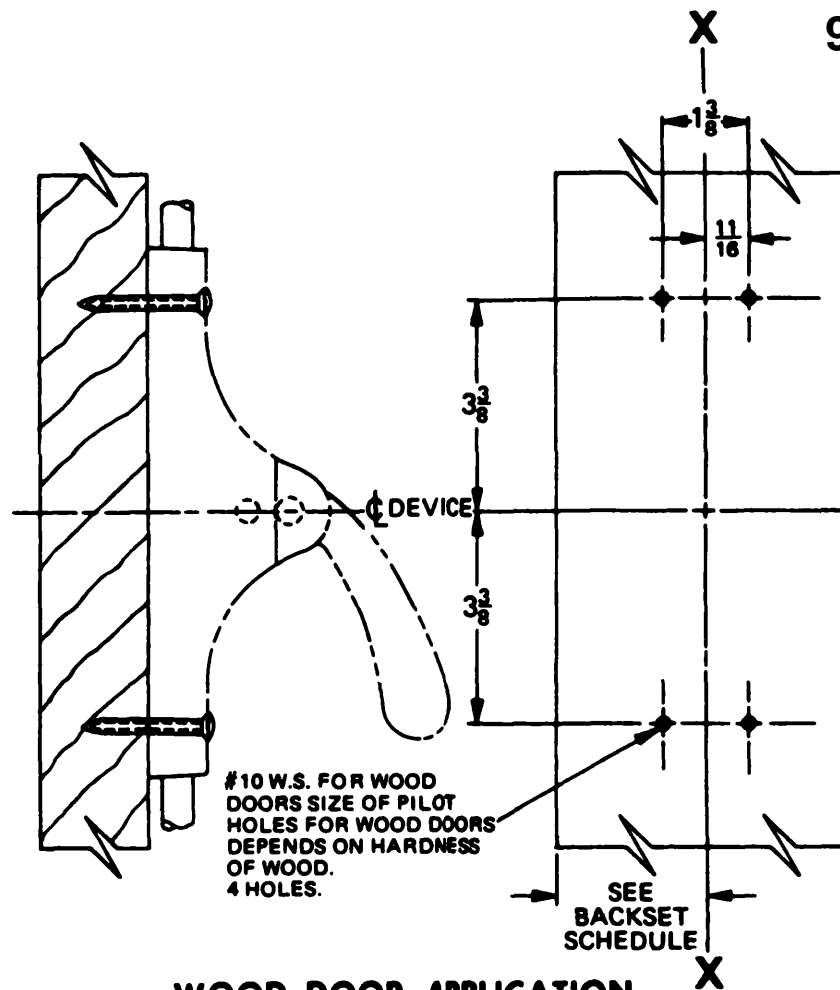
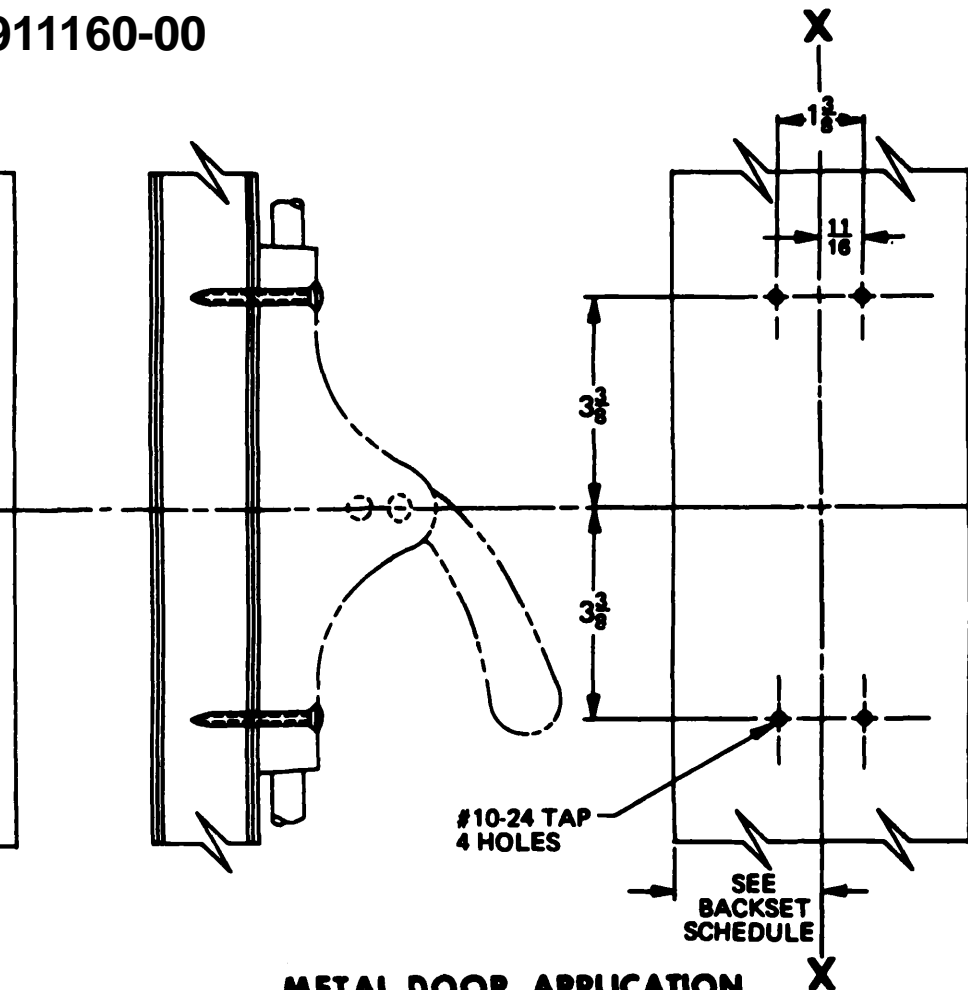


FIG. 7



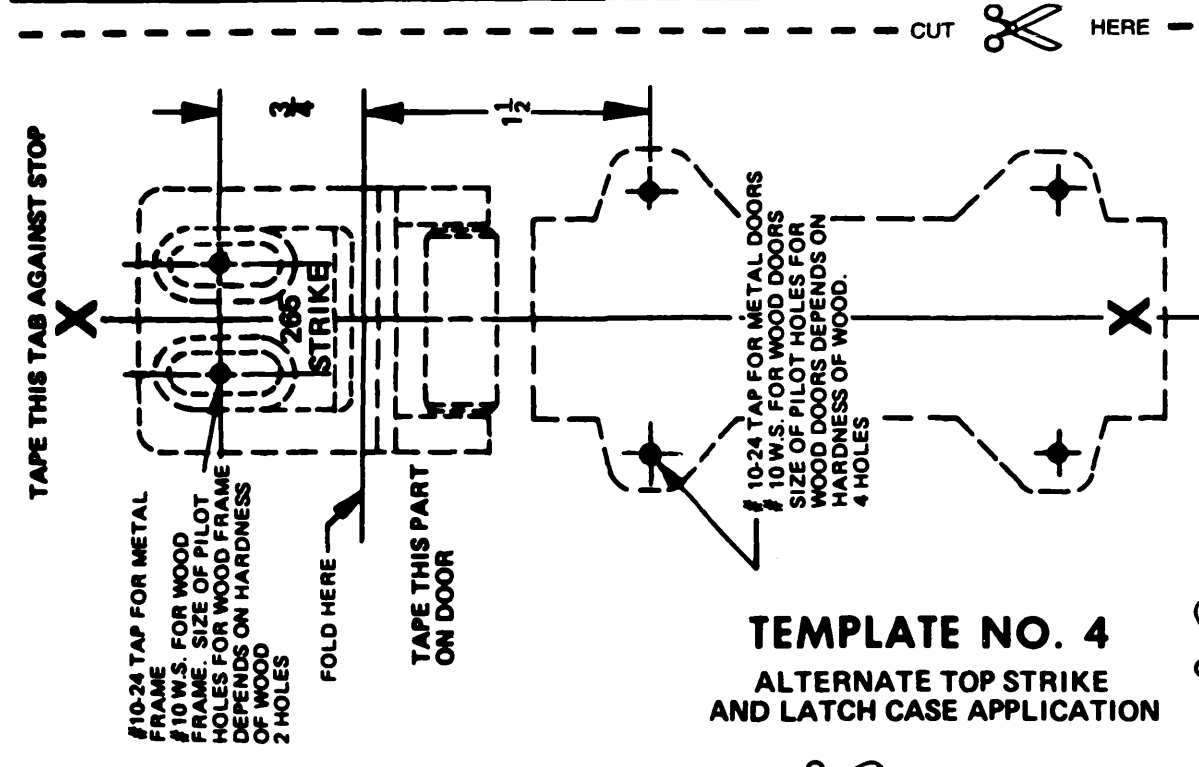
WOOD DOOR APPLICATION FIG. 1



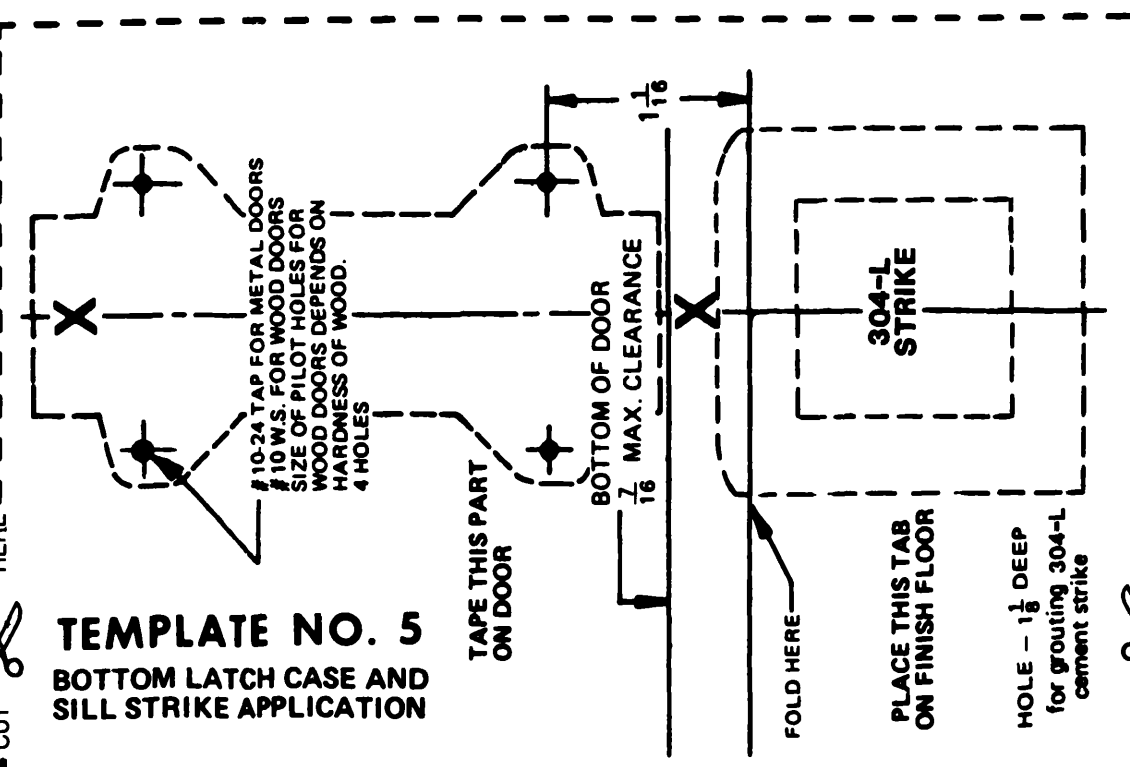
METAL DOOR APPLICATION FIG. 2

FOR TRIM APPLICATION SEE DIRECTIONS IN TRIM CARTON IF REQUIRED

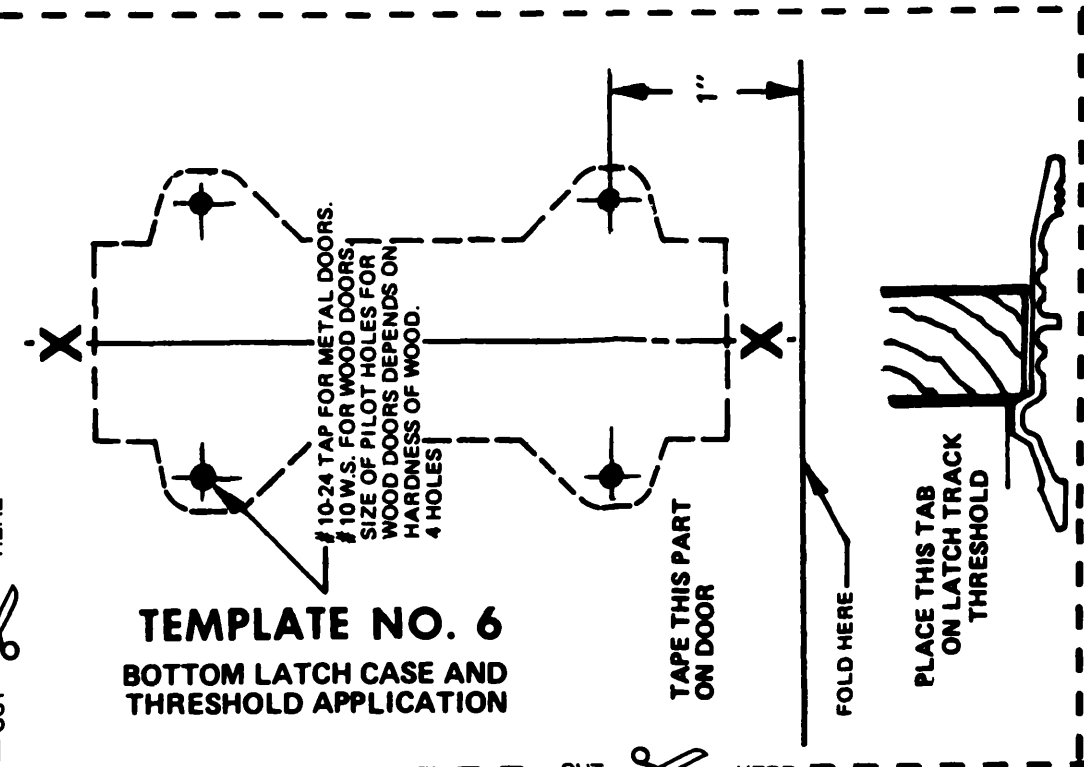
DESCRIPTION	8827EO, 8827DT & 8827T	VON DUPRIN
SERIES VERTICAL ROD DEVICES		
DIRECTION NUMBER	911160-00(9)	DATE 1/01/03



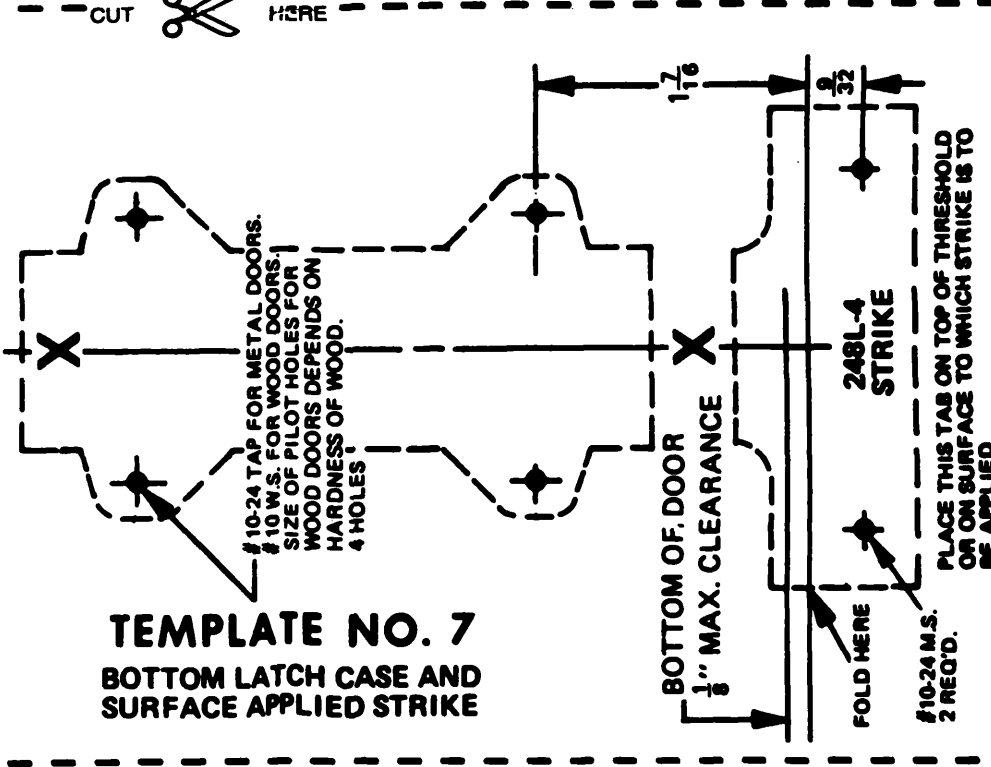
TEMPLATE NO. 4  
ALTERNATE TOP STRIKE AND LATCH CASE APPLICATION



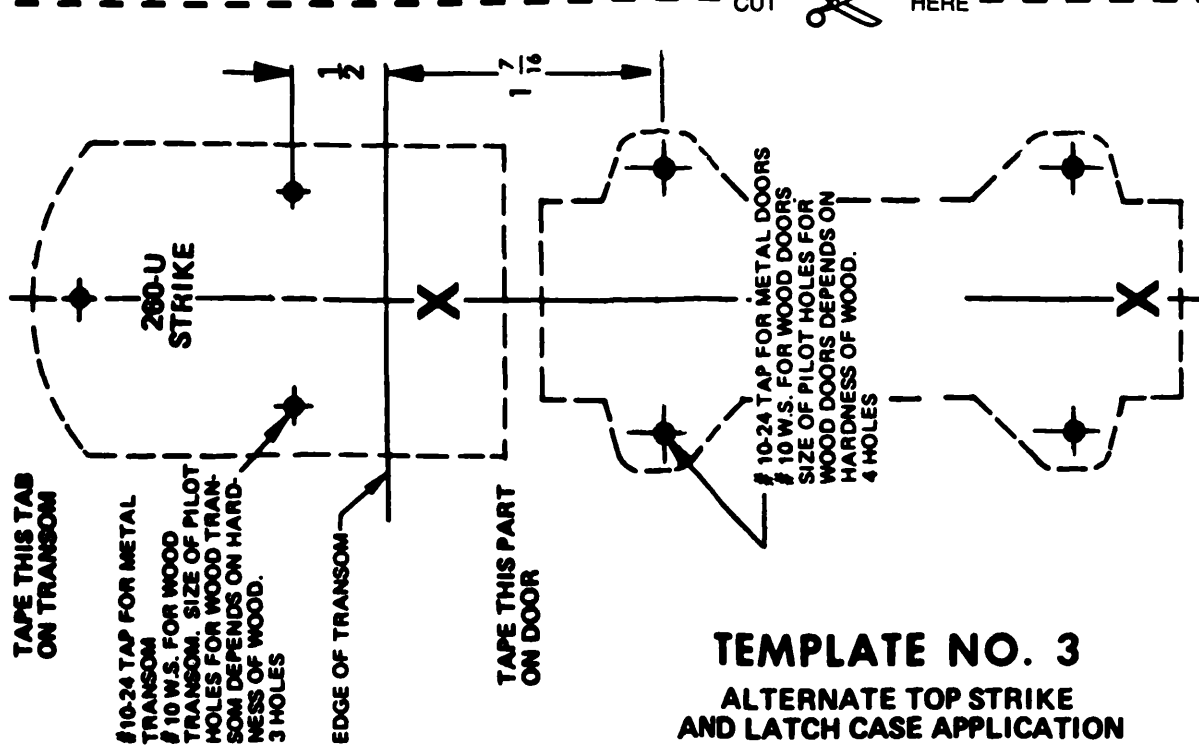
TEMPLATE NO. 5  
BOTTOM LATCH CASE AND SILL STRIKE APPLICATION



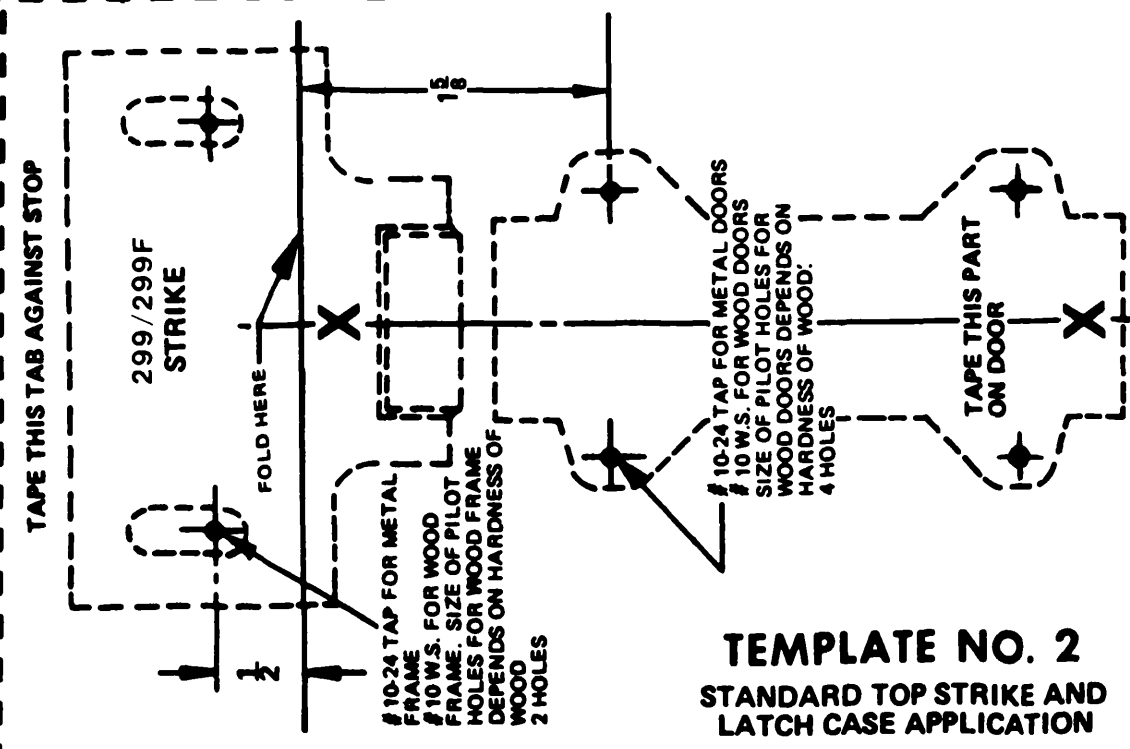
TEMPLATE NO. 6  
BOTTOM LATCH CASE AND THRESHOLD APPLICATION



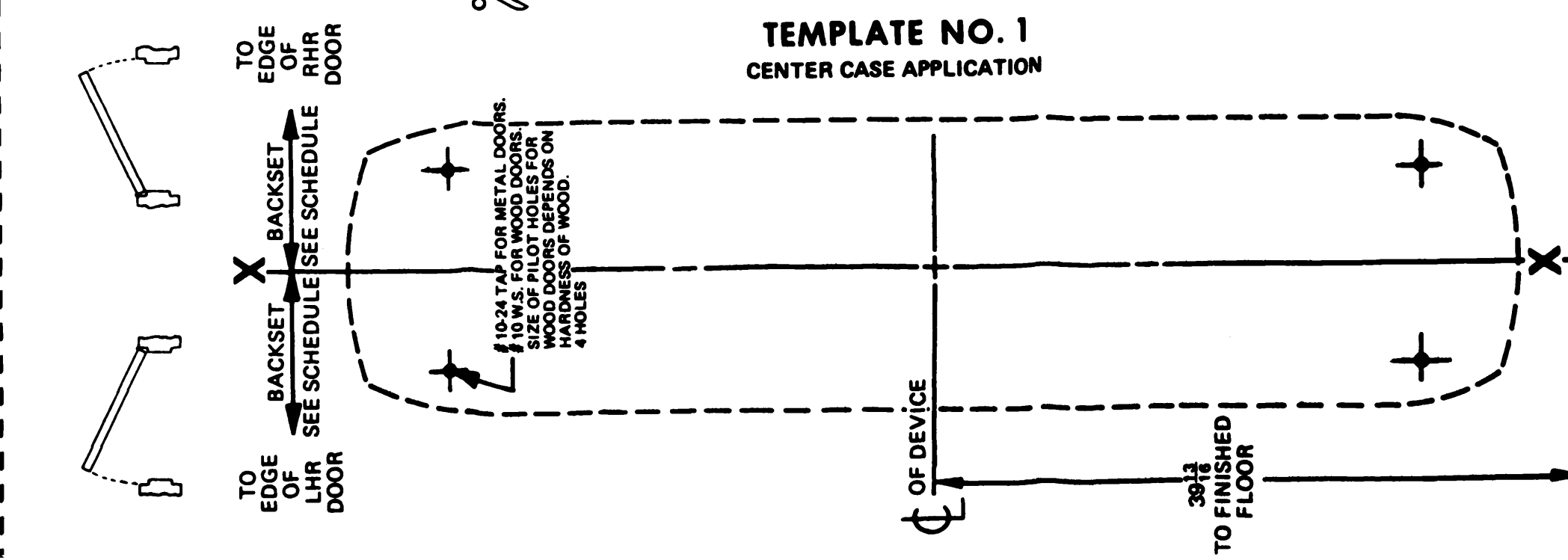
TEMPLATE NO. 7  
BOTTOM LATCH CASE AND SURFACE APPLIED STRIKE



TEMPLATE NO. 3  
ALTERNATE TOP STRIKE AND LATCH CASE APPLICATION



TEMPLATE NO. 2  
STANDARD TOP STRIKE AND LATCH CASE APPLICATION



TEMPLATE NO. 1  
CENTER CASE APPLICATION