

**INSTALLATION DIRECTIONS**

**BEFORE APPLYING THIS DEVICE**

- A. Threshold (if any) must be installed.
- B. Doors must be fitted and hung.
- C. Check that handing of hardware corresponds to handing of door.
- D. Apply Astragal (if any). See template No. 40106 for applying Astragal.

**1. PREPARE DOOR**

- A. Tape template No. 1 to inside face of lock stile. Be sure centerline "X-X" of template is parallel to edge of door and backset is as shown in schedule. Be sure centerline of device is 39-13/16" to finished floor.
- B. Prepare door as shown. See Fig. 1 for wood door application and Fig. 2 for metal door application.

**2. APPLY OUTSIDE TRIM**

- A. See directions in trim carton. Line "X-X" on trim template corresponds to Line "X-X" on device template and is parallel to edge of door. Transfer Line "X-X" from inside face to outside face of door.
- B. Prepare outside face of lock stile.
- C. Cut off cylinder tailpiece if necessary, to extend 1/4" to 1/2" beyond inside face of door and into device case.

**3. INSTALL LEVER ARMS**

- A. Insert lever arms into lock stile and hinge stile cases.
- B. Assemble axles and tighten securely. (See instructions in axle envelope.)

**4. APPLY LOCK STILE CASE**

- A. Attach lock stile to door. See Fig. 1 or 2.

**5. APPLY HINGE STILE CASE AND CROSSBAR TUBE (FIG. 7)**

- A. Dog lever arms in depressed position.
- B. Slip crossbar tube on lock stile and hinge stile lever arms. (See Direction No. 941009 for cutting crossbar)
- C. Be sure crossbar is level and hinge stile case is parallel to edge of door and approximately on centerline of exposed stile.
- D. Using holes in hinge stile case, mark location and prepare door for attaching screws.
- E. Apply hinge stile case with crossbar in place.
- F. Tighten wedge-tite set screws securely with dog key and screwdriver or equivalent for leverage, and test crossbar for free action. (See Direction No. 941009 for these instructions.)

**6. APPLY TOP LATCH CASE AND STRIKE**

- A. Close door against stop.
- B. Tape template No. 2, 3, or 4 to door and surface indicated on template.
- C. Prepare door and soffit for latch case and strike and apply.

**7. APPLY TOP ROD**

- A. Block door in open position.
- B. Check rod for correct length. See instruction sheet #41028 for cutting 88 vertical rods.
- C. Drive in top rod connector.
- D. Attach top rod with rod guide, see Fig. 3. Adjust rod length so connector fits as shown. (Fig. 4 and 5.)

**NOTE**

BE SURE LATCH BOLT IS RETRACTED AND CROSSBAR IS DOGGED

- E. Test for latch bolt engagement in strike. For less bottom rod applications, omit steps 8 and 9.

**8. APPLY BOTTOM LATCH CASE & STRIKE**

- A. Close door so top bolt engages.
- B. Tape template No. 5, 6, or 7 to door and surface indicated on template.
- C. Prepare door and floor or threshold for latch case and strike and apply.

**9. APPLY BOTTOM ROD**

- A. Block door in open position.
- B. Retract bottom latch bolt.
- C. Adjust rod so rod connector fits as shown. (Fig. 6.)

**10. TEST DEVICE FOR FREE ACTION AND COMPLETE LATCH BOLT RETRACTION WHEN CROSSBAR IS DEPRESSED. IF LATCH BOLTS DO NOT RETRACT COMPLETELY, READJUST.**

**11. APPLY TOP AND BOTTOM LATCH CASE COVERS.**

DEVICE BACKSET SCHEDULE		
INSTALLATION	PANELED DOOR	FLUSH DOOR
TWO VERT. ROD DEVICES	1/2 OF STILE	2-1/2"
VERT. ROD & MORT. DEVICE	2-3/4"	2-3/4"
SINGLE DOOR	1/2 OF STILE	2-3/4"
VERT. ROD & RIM DEVICE REQUIRES 1609J STRIKE	3"	3"
WHEN COORDINATOR IS USED BACKSET OF VERTICAL ROD DEVICE MUST BE	3"	3"

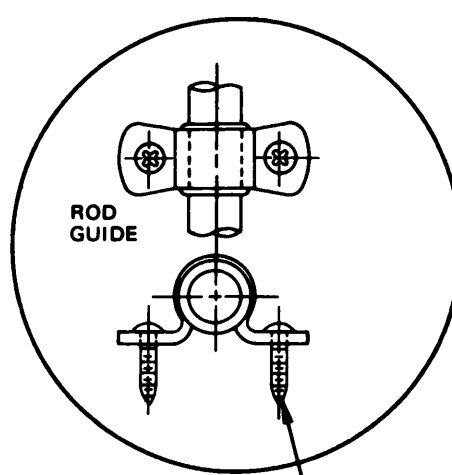


FIG. 3

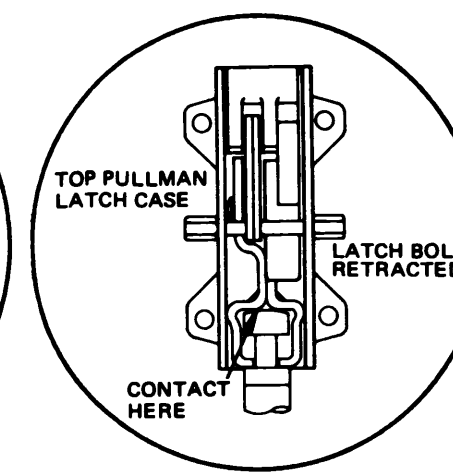


FIG. 4

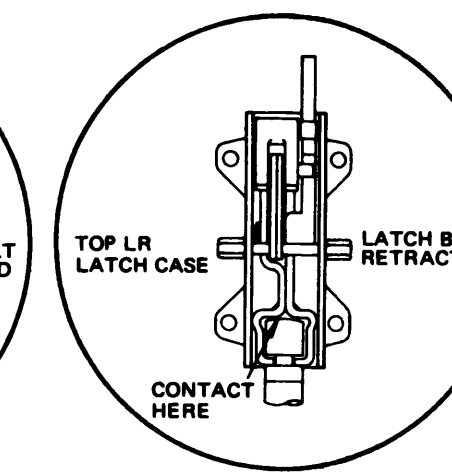


FIG. 5

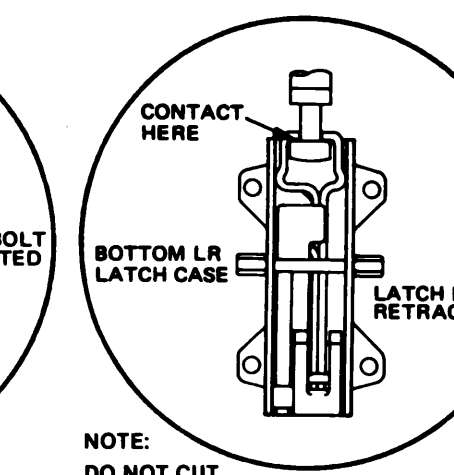


FIG. 6

#10-24 TAP FOR METAL DOORS.  
#10 W.S. FOR WOOD DOORS.  
SIZE OF PILOT HOLES FOR WOOD DOORS DEPENDS ON HARDNESS OF WOOD.  
2 HOLES

NOTE: OMIT CYLINDER PREPARATION IF CONTROL IS SPECIFIED

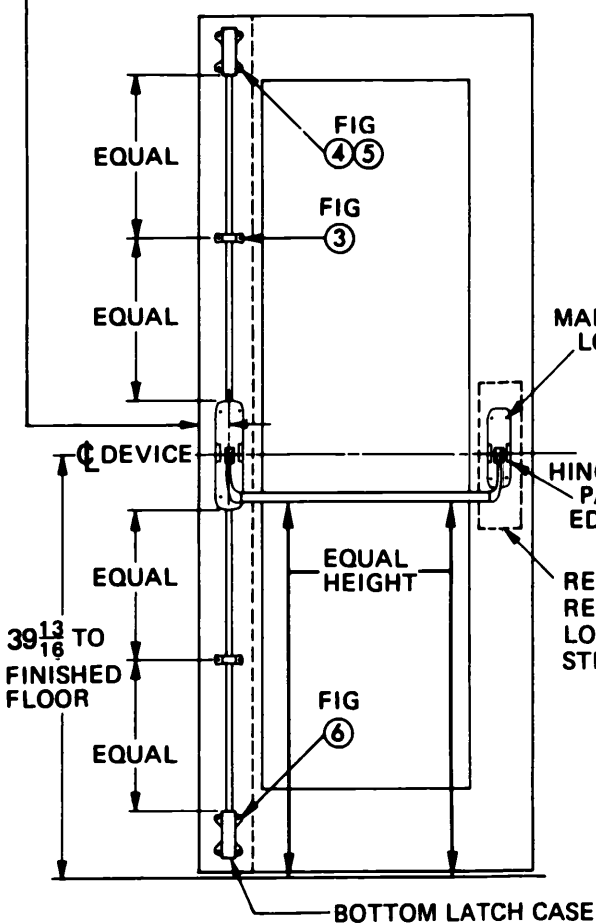
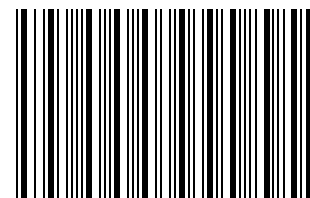
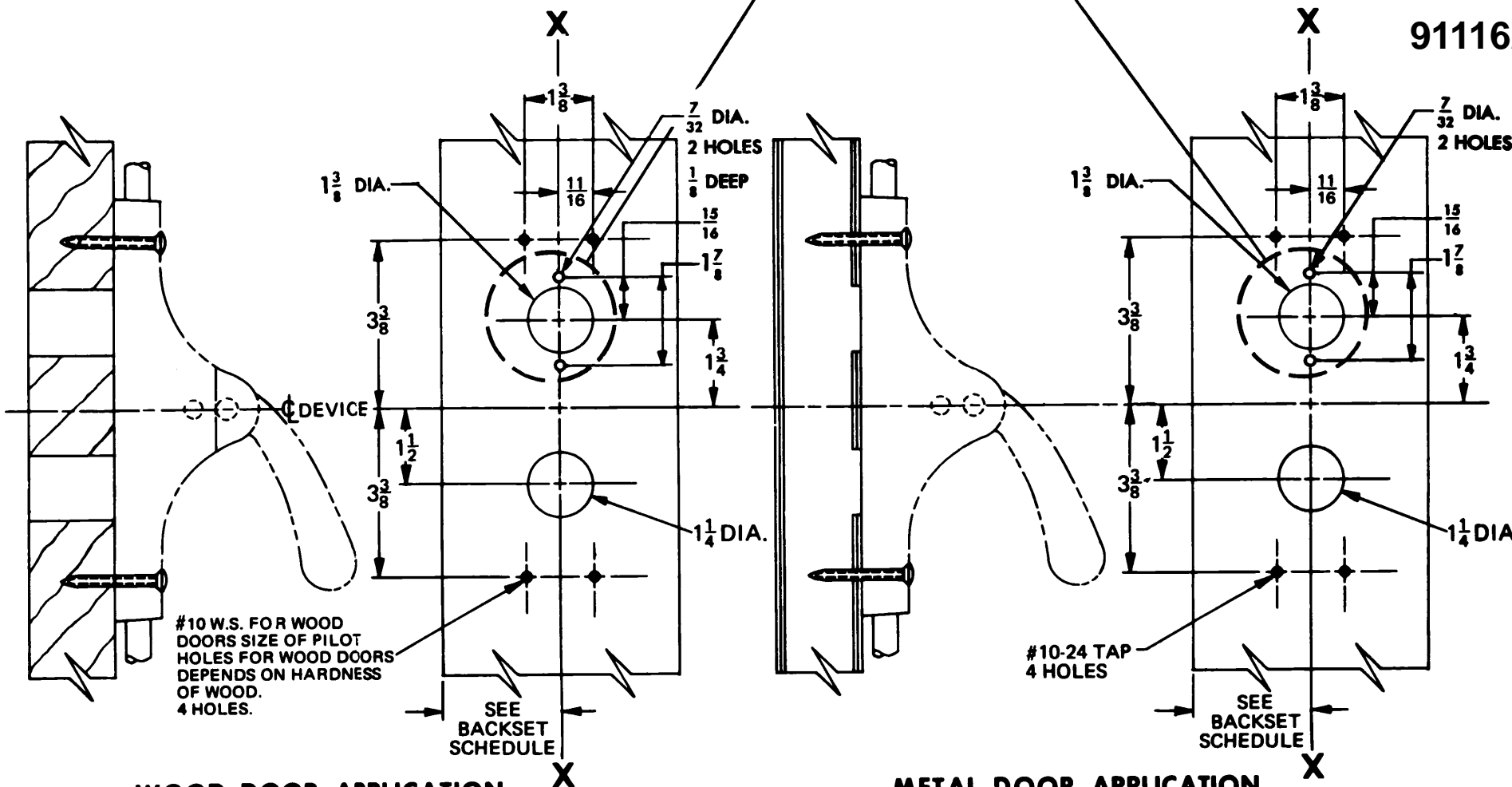


FIG. 7



WOOD DOOR APPLICATION

FIG. 1

METAL DOOR APPLICATION

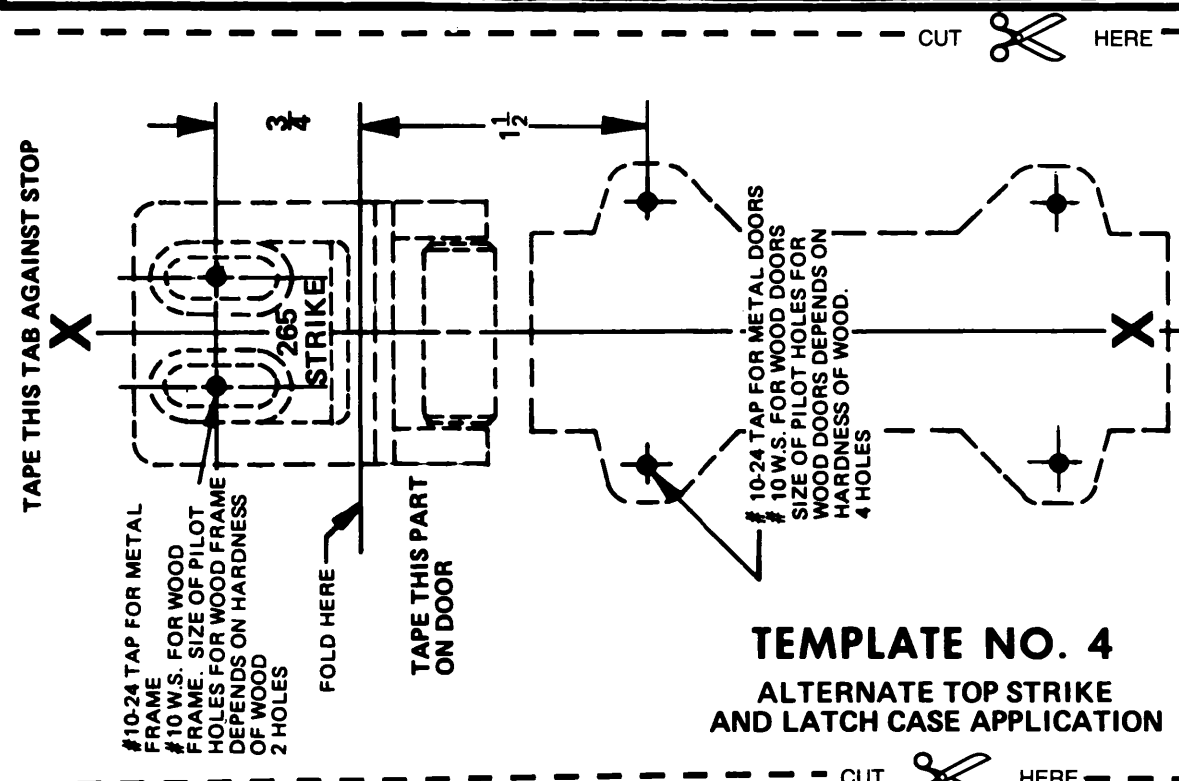
FIG. 2

FOR TRIM APPLICATION SEE DIRECTIONS IN TRIM CARTON

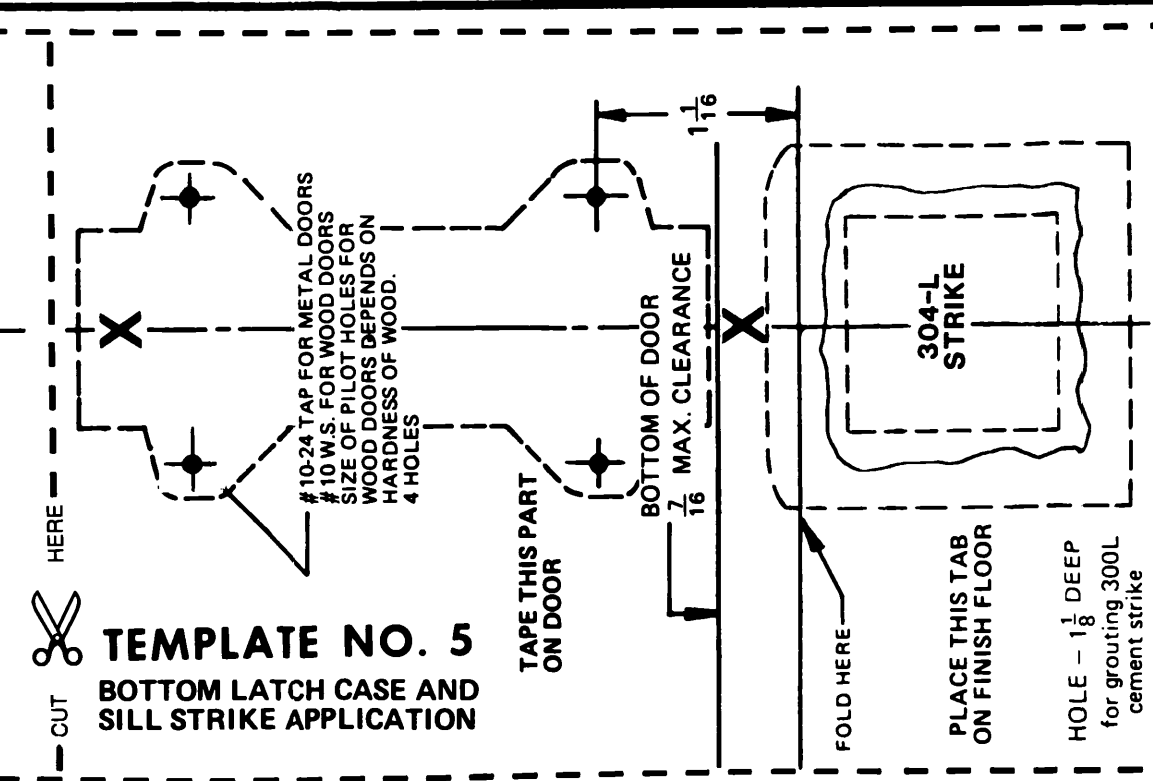
DESCRIPTION 8827K & 8827K-NL  
SERIES VERTICAL ROD DEVICES

VON DUPRIN

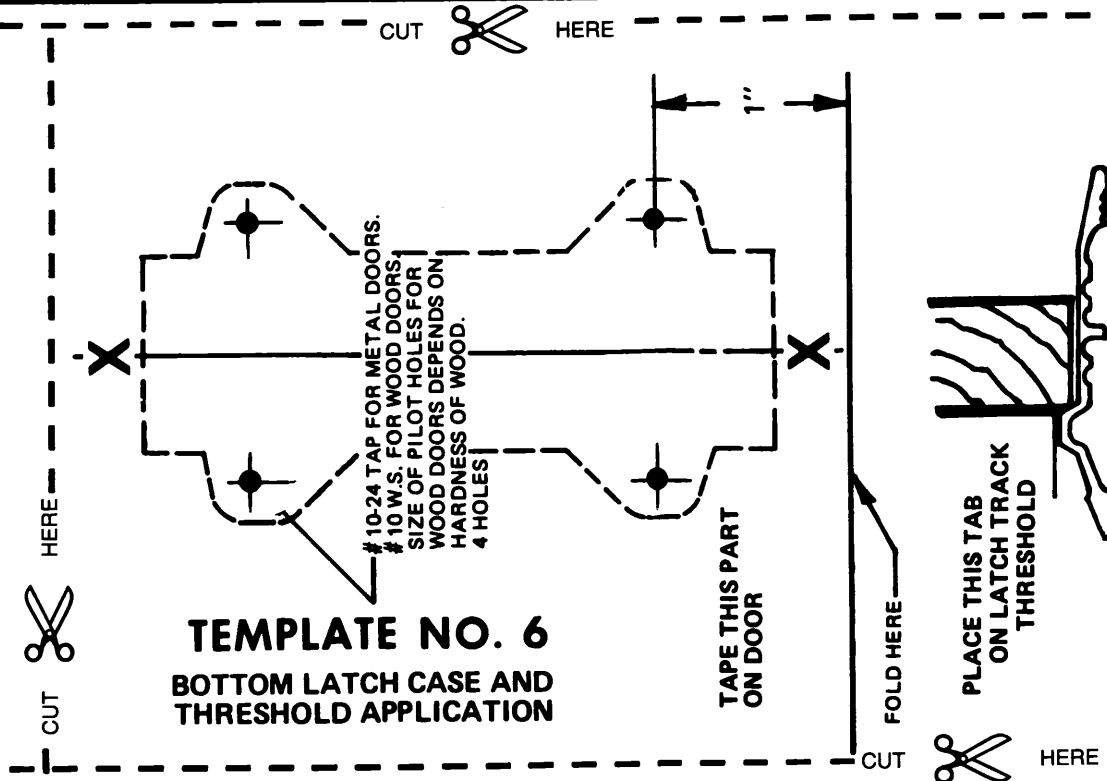
DIRECTION NUMBER 911162-00(9) DATE 1/01/03



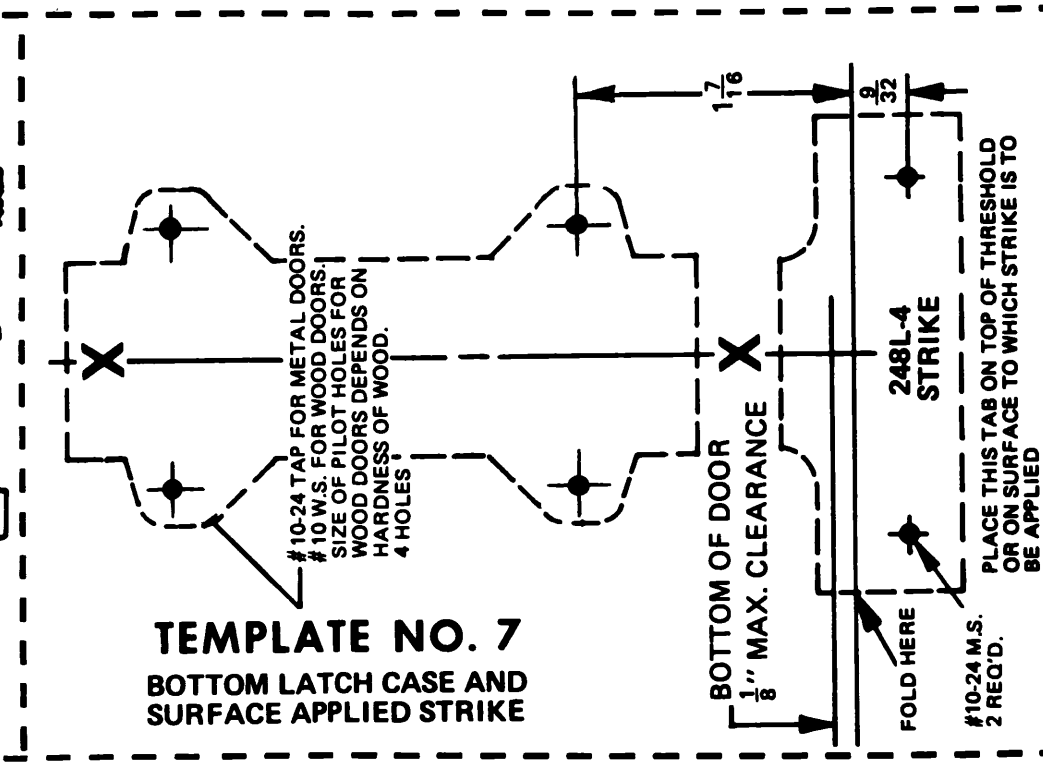
TEMPLATE NO. 4  
ALTERNATE TOP STRIKE AND LATCH CASE APPLICATION



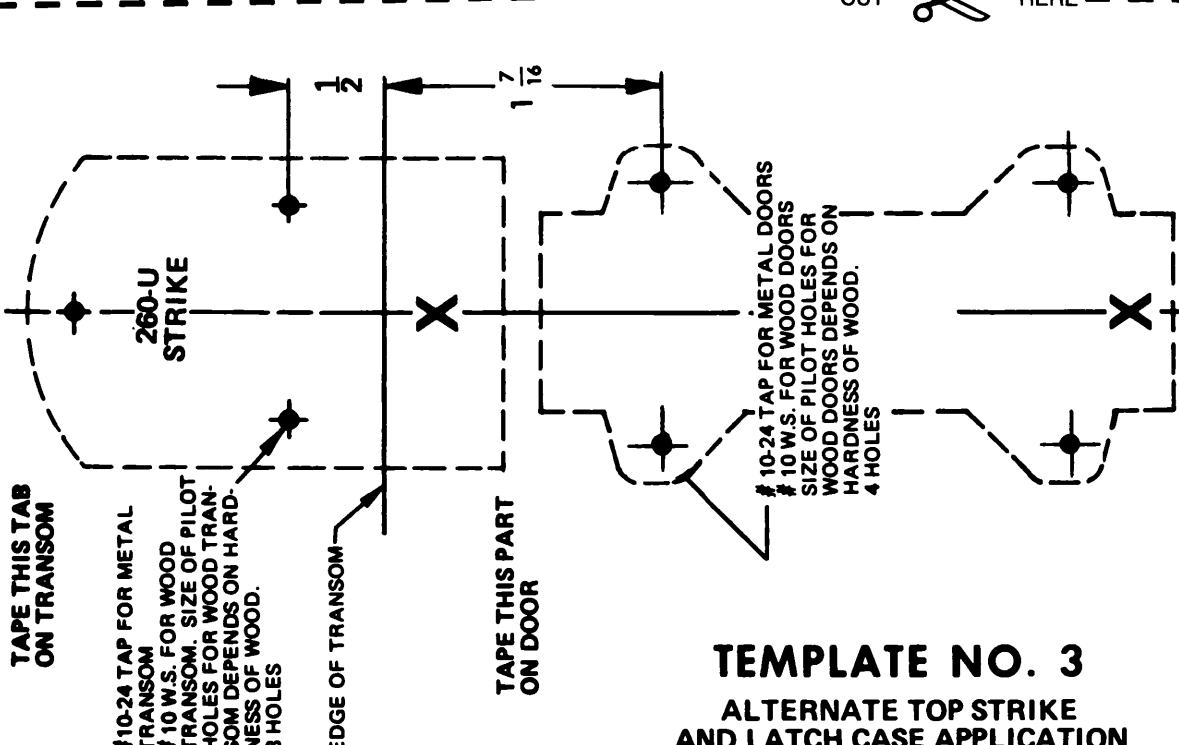
TEMPLATE NO. 5  
BOTTOM LATCH CASE AND SILL STRIKE APPLICATION



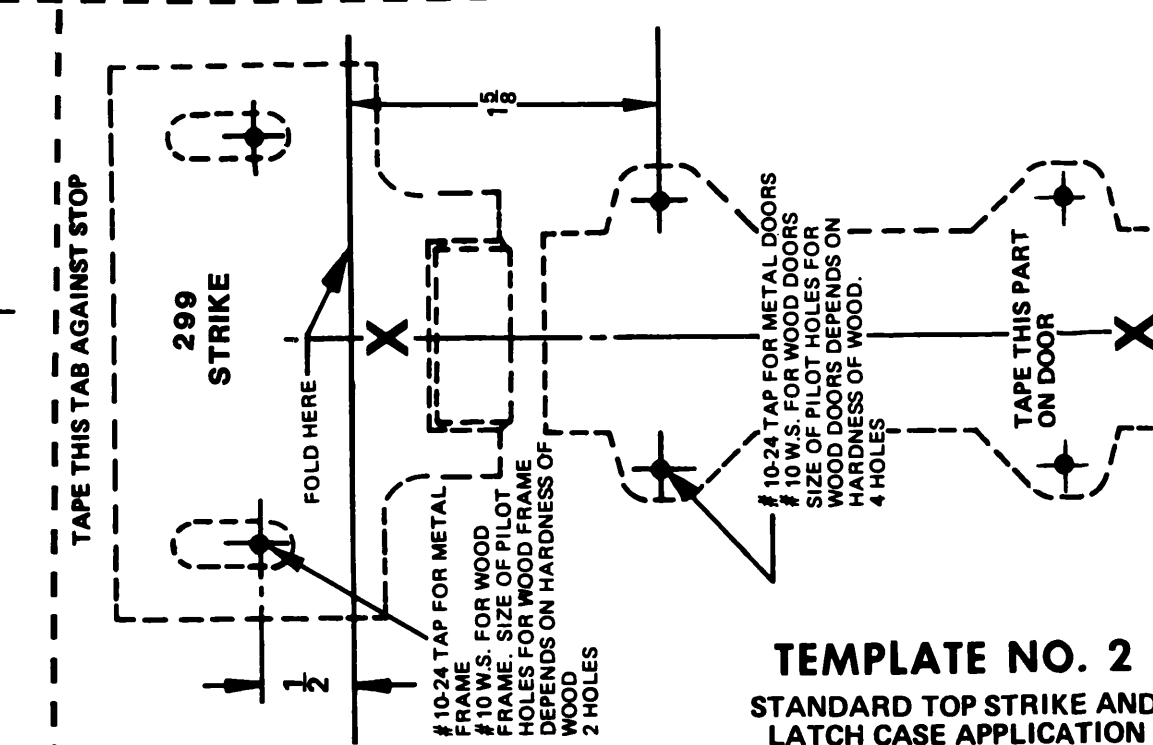
TEMPLATE NO. 6  
BOTTOM LATCH CASE AND THRESHOLD APPLICATION



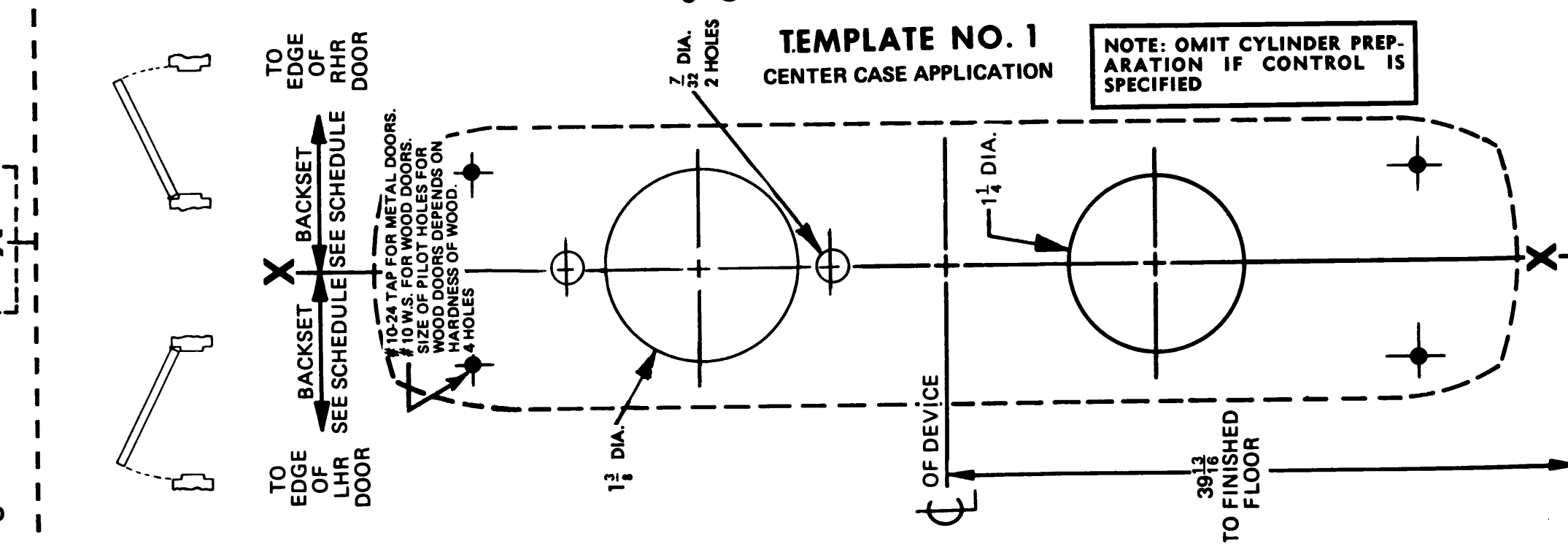
TEMPLATE NO. 7  
BOTTOM LATCH CASE AND SURFACE APPLIED STRIKE



TEMPLATE NO. 3  
ALTERNATE TOP STRIKE AND LATCH CASE APPLICATION



TEMPLATE NO. 2  
STANDARD TOP STRIKE AND LATCH CASE APPLICATION



TEMPLATE NO. 1  
CENTER CASE APPLICATION

NOTE: OMIT CYLINDER PREPARATION IF CONTROL IS SPECIFIED