

**INSTALLATION DIRECTIONS**

**BEFORE APPLYING THIS DEVICE**

- A. Threshold (if any) must be installed.
- B. Doors must be fitted and hung.
- C. Check that handing of hardware corresponds to handing of door.
- D. Apply Astragal (if any). See template No. 40106 for applying Astragal.

**1. PREPARE DOOR**

- A. Tape template No. 1 to inside face of lock stile. Be sure centerline "X-X" of template is parallel to edge of door and backset is as shown in schedule. Be sure centerline device is 39 13/16" to finished floor.
- B. Prepare door as shown. See Fig. 1 for wood door application and Fig. 2 for metal door application.

**2. APPLY OUTSIDE TRIM FOR DT APPLICATION ONLY**

- A. See directions in trim carton if required. Line "X-X" on trim template corresponds to line "X-X" on device template and is parallel to edge of door. Transfer line "X-X" from inside face to outside face of door.
- B. Prepare outside face of lock stile.

**3. INSTALL LEVER ARMS**

- A. Insert lever arms into lock stile and hinge stile cases.
- B. Assemble axles and tighten securely. (See instructions in axle envelope.)

**4. APPLY LOCK STILE CASE**

- A. Attach lock stile to door. See Fig. 1 or 2.

**5. APPLY HINGE STILE CASE AND CROSSBAR TUBE (FIG. 7)**

- A. Slip crossbar tube on lock stile and hinge stile lever arms. (See Direction Sheet 41009 for cutting crossbar.)
- B. Be sure crossbar is level and hinge stile case is parallel to edge of door and approximately on centerline of exposed stile.
- C. Using holes in hinge stile case, mark location and prepare door for attaching screws.
- D. Apply hinge stile case with crossbar in place.
- E. Tighten wedge-tite set screws securely with dog key and screwdriver or equivalent for leverage and test crossbar for free action. (See Direction Sheet 41009 for these instructions.)

**6. INSTALL SOFFIT LATCH BOLT ASSEMBLY (FIG. 6)**

- A. Block door in open position.
- B. Install latch bolt as shown.

**7. APPLY TOP LATCH CASE (FIG. 9)**

- A. Close door against stop.
- B. Tape template No. 3 to door and stop.
- C. Prepare door for latch case and apply.

**8. APPLY PLUNGER RELEASE BRACKET (FIG. 8)**

- A. Close door against stop.
- B. Position backset to depress plunger, and allow rods to fall into engaged position.
- C. Tighten bracket mounting screws.

**9. APPLY TOP ROD**

- A. Block door in open position.
- B. Check rod for correct length. See Direction Sheet 41028 for cutting 88 vertical rods.
- C. Drive in top rod connector.
- D. Attach top rod with rod guide. (See Fig. 3) adjust rod length so connector fits as shown (Fig. 4)
- E. Check top rod for full retraction of latch bolt. Top rod should be flush to 1/16" above latch release surface.

**10. APPLY BOTTOM LATCH CASE**

- A. Close door against stop so top bolt engages.
- B. Tape template No. 2 to door and floor indicated on template.
- C. Prepare door for latch case and floor or threshold for strike and apply.

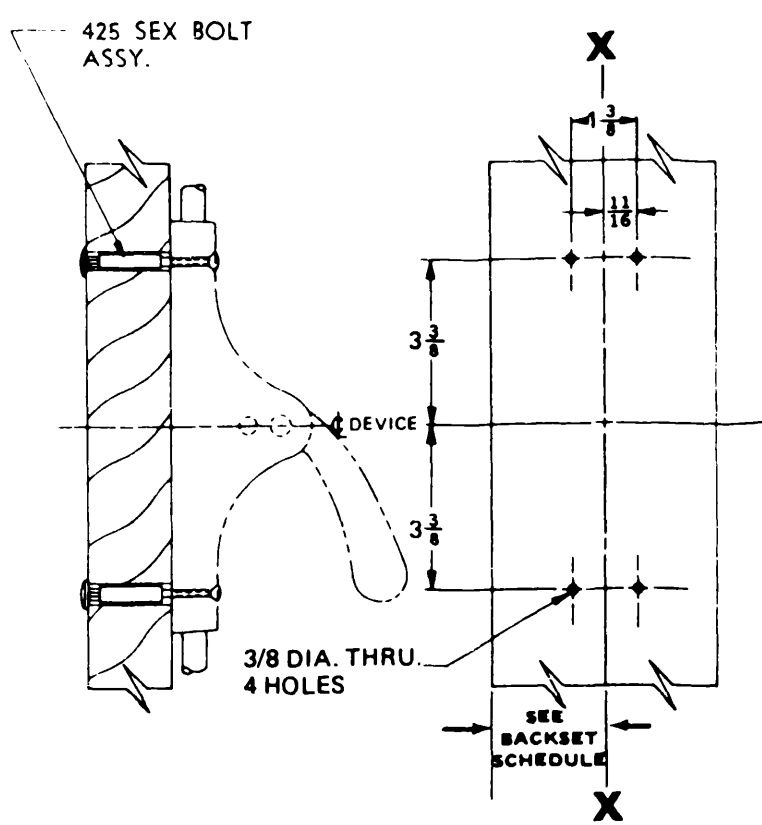
**11. APPLY BOTTOM ROD**

- NOTE: DO NOT CUT BOTTOM ROD
- A. Block door in open position.
- B. Retract bottom latch bolt.
- C. Adjust rod so rod connector fits as shown. (Fig. 5)
- D. Test door for top and bottom latch engagement.

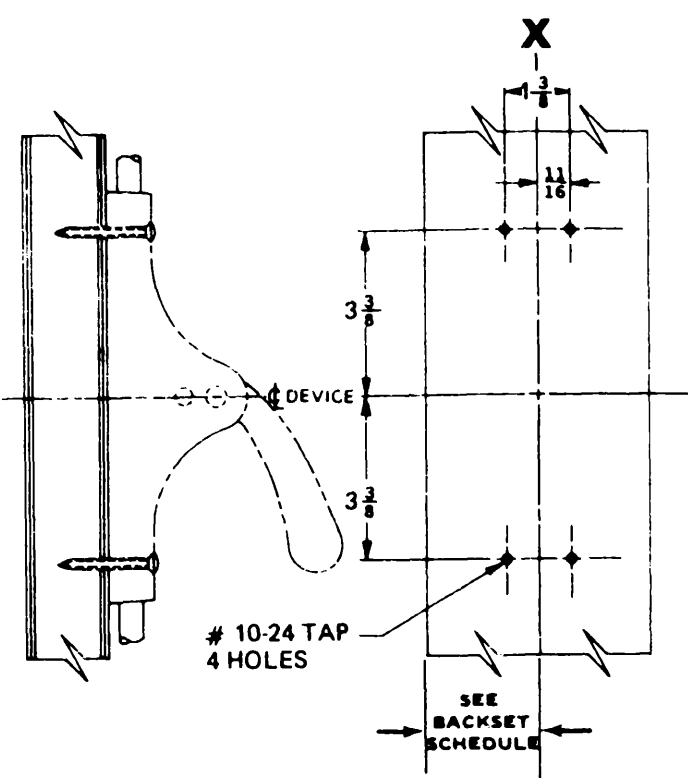
**12. APPLY TOP AND BOTTOM LATCH CASE COVER**

**13. APPLY COORDINATOR**

- NOTE: 1237 COORDINATOR MUST BE SURFACE APPLIED WHEN USED WITH 8827F SERIES EXIT HARDWARE. SEE DIRECTIONS IN COORDINATOR PACKAGE.



**WOOD DOOR APPLICATION**  
FIG. 1



**METAL DOOR APPLICATION**  
FIG. 2

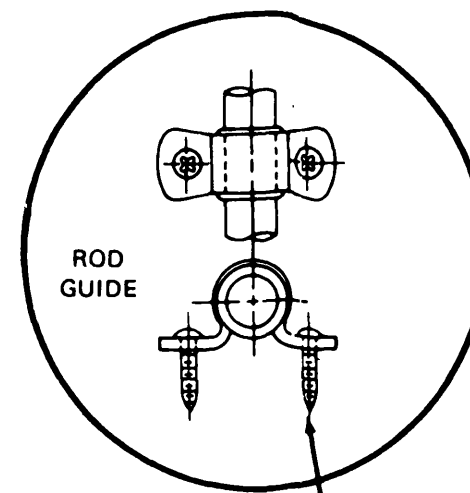


FIG. 3

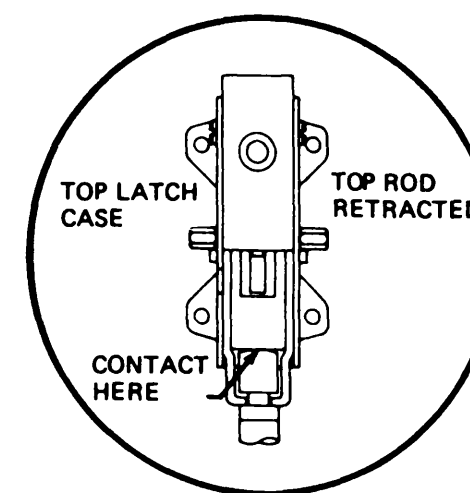


FIG. 4

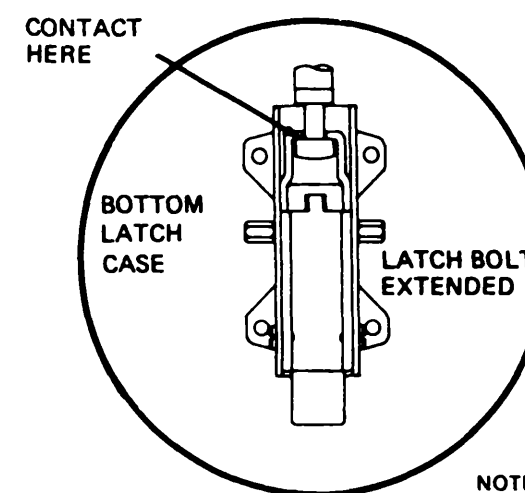


FIG. 5

NOTE: DO NOT CUT BOTTOM ROD

| DEVICE INSTALLATION SCHEDULE  |       |
|---|-------|
| VERT. ROD & MORT. DEVICE  | 2 3/4 |
| TWO VERT. ROD DEVICES   | 2 3/4 |
| SINGLE DOOR   | 2 3/4 |
| WHEN SURFACE APPLIED COORDINATOR IS USED BACKSET OF VERTICAL ROD DEVICE MUST BE | 2 3/4 |

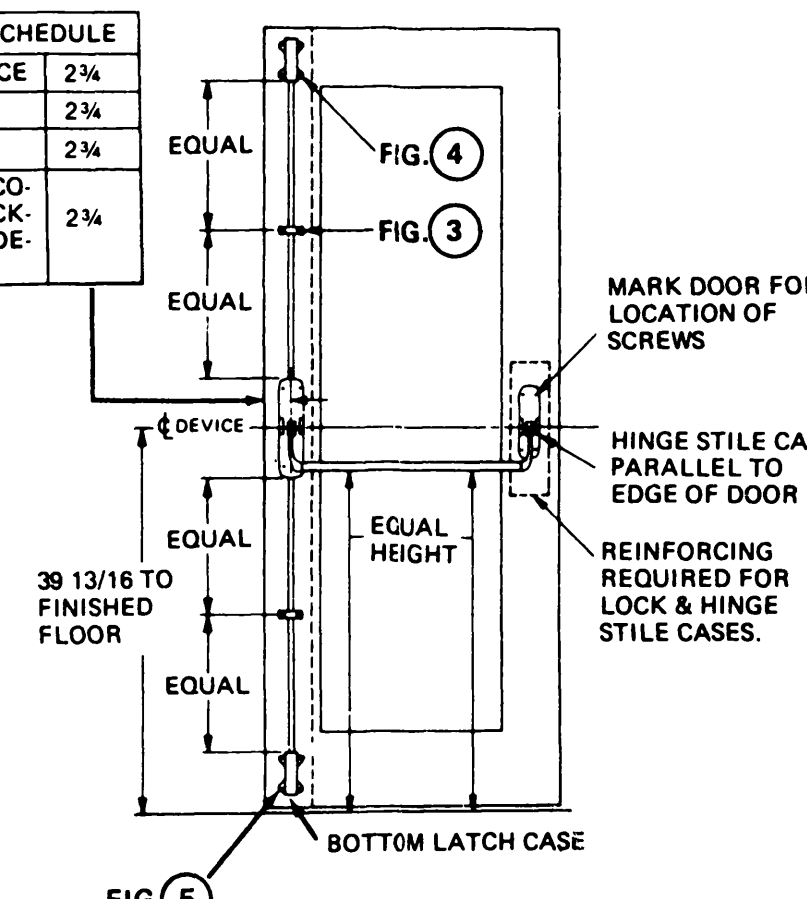


FIG. 7

NOTE - MORTAR GUARD SHOULD BE PROVIDED TO PROTECT SOFFIT LATCH BOLT ASSEMBLY

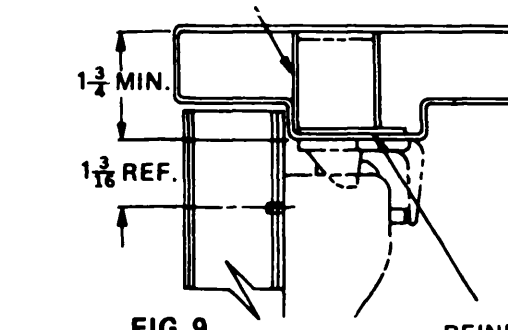
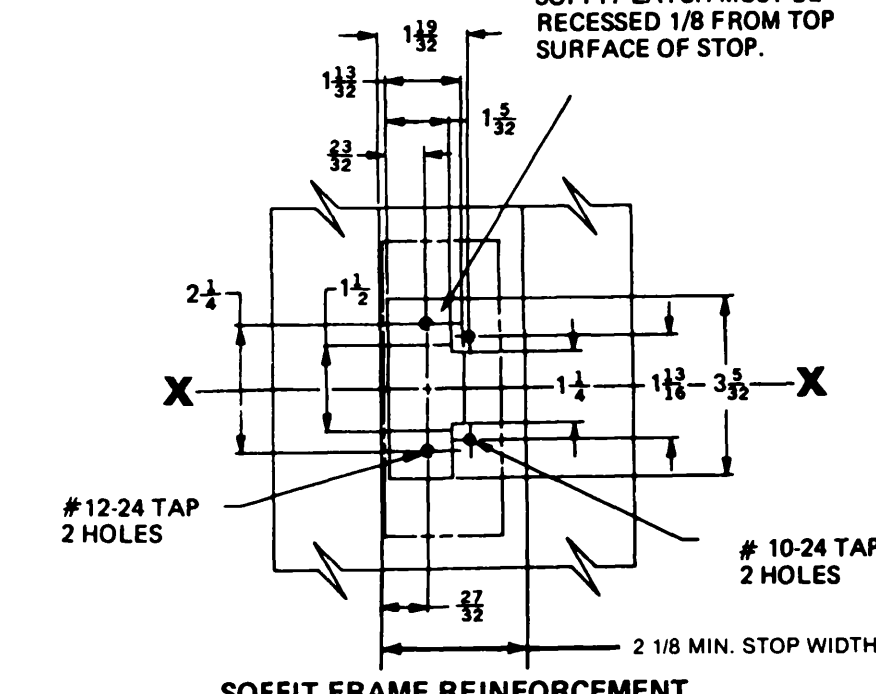


FIG. 9

REINFORCING REQUIRED FOR SOFFIT LATCH MUST BE RECESSED 1/8 FROM TOP SURFACE OF STOP.

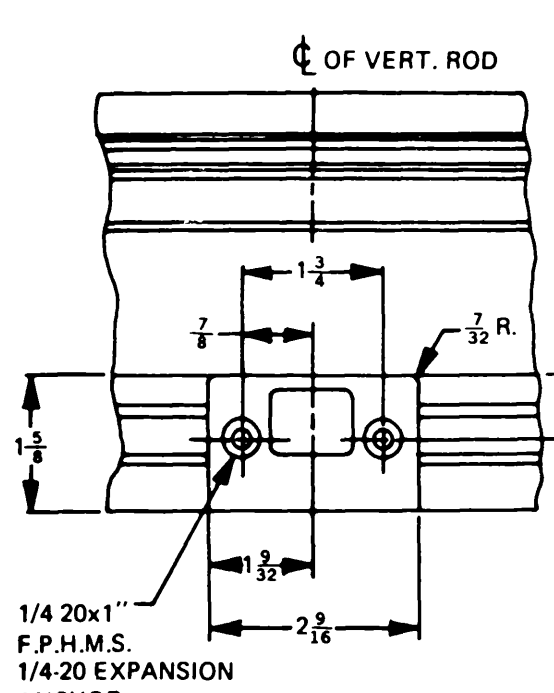


SOFFIT FRAME REINFORCEMENT

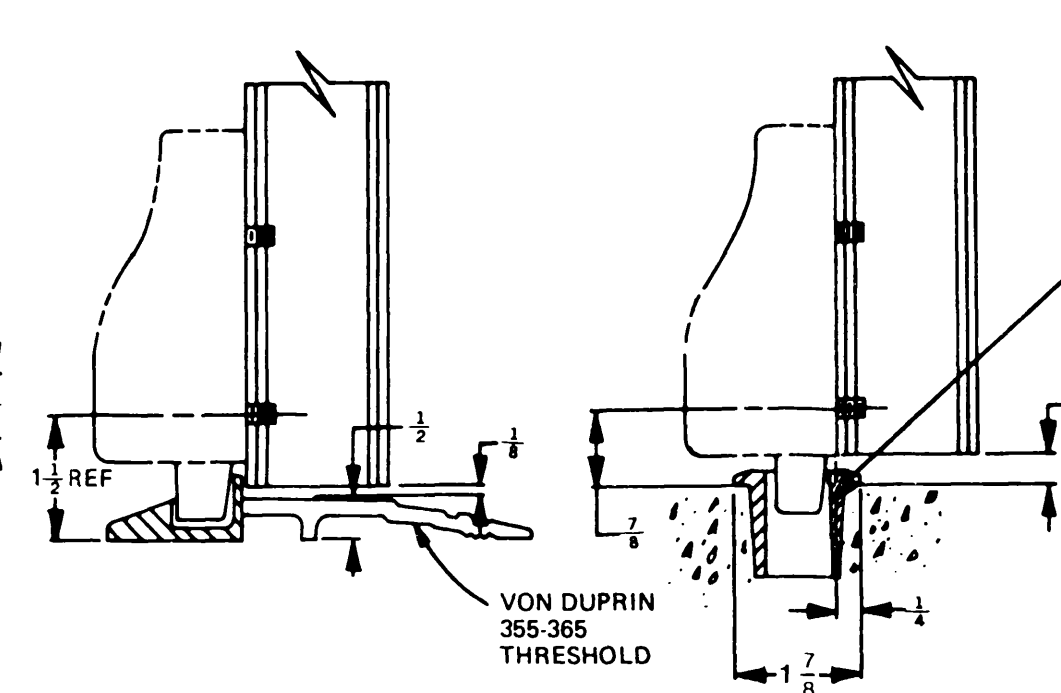
UL LISTED FIRE EXIT HARDWARE

DESCRIPTION  
**8827F SURFACE APPLIED DEVICE**

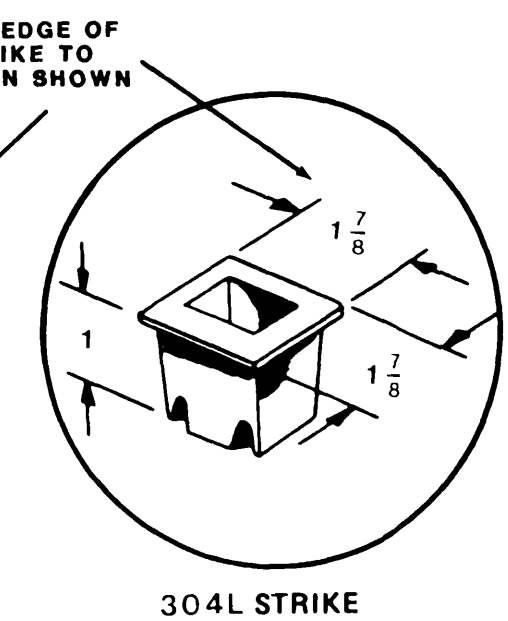
**VON DUPRIN**  
DIRECTION NUMBER **911164-00(11)** DATE 1/01/03



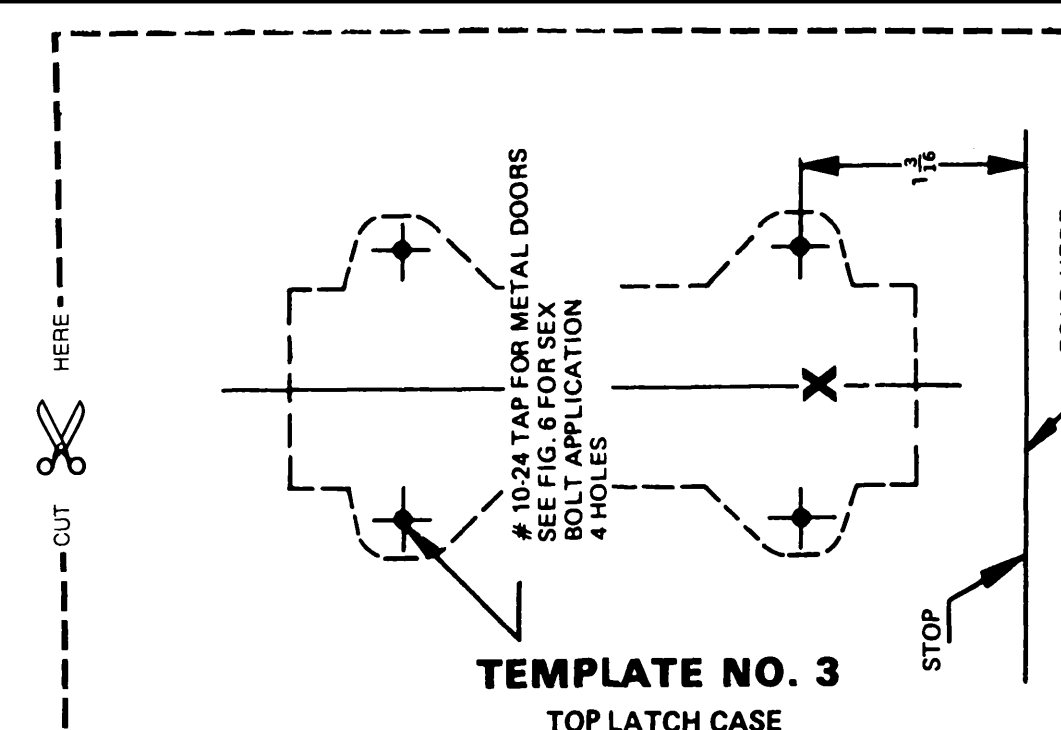
303L STRIKE APPLICATION



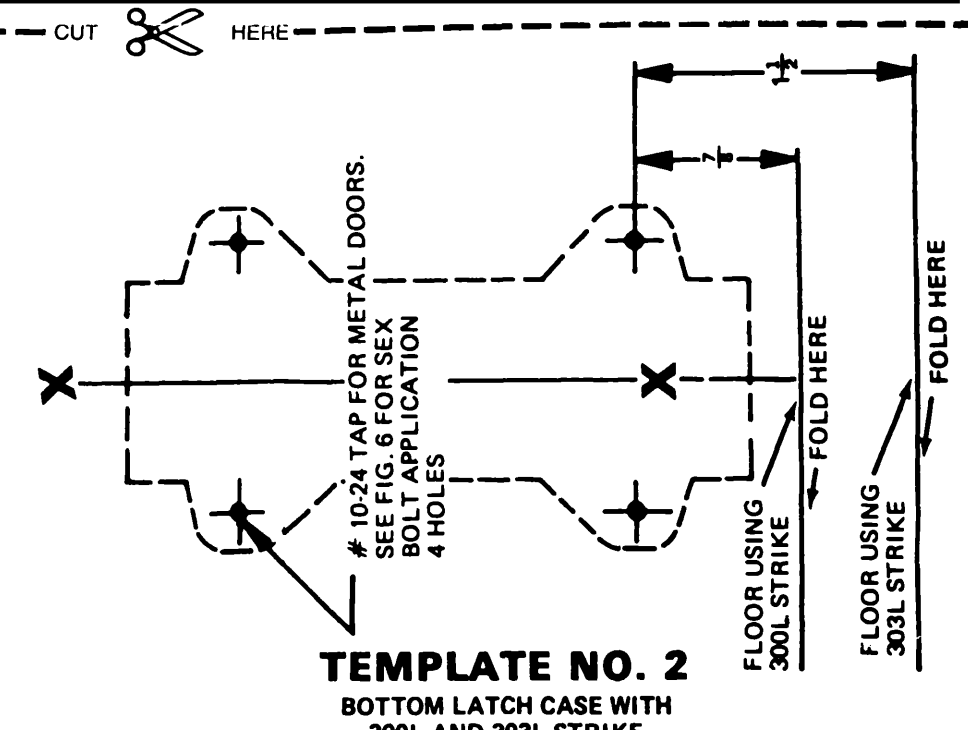
304L STRIKE APPLICATION



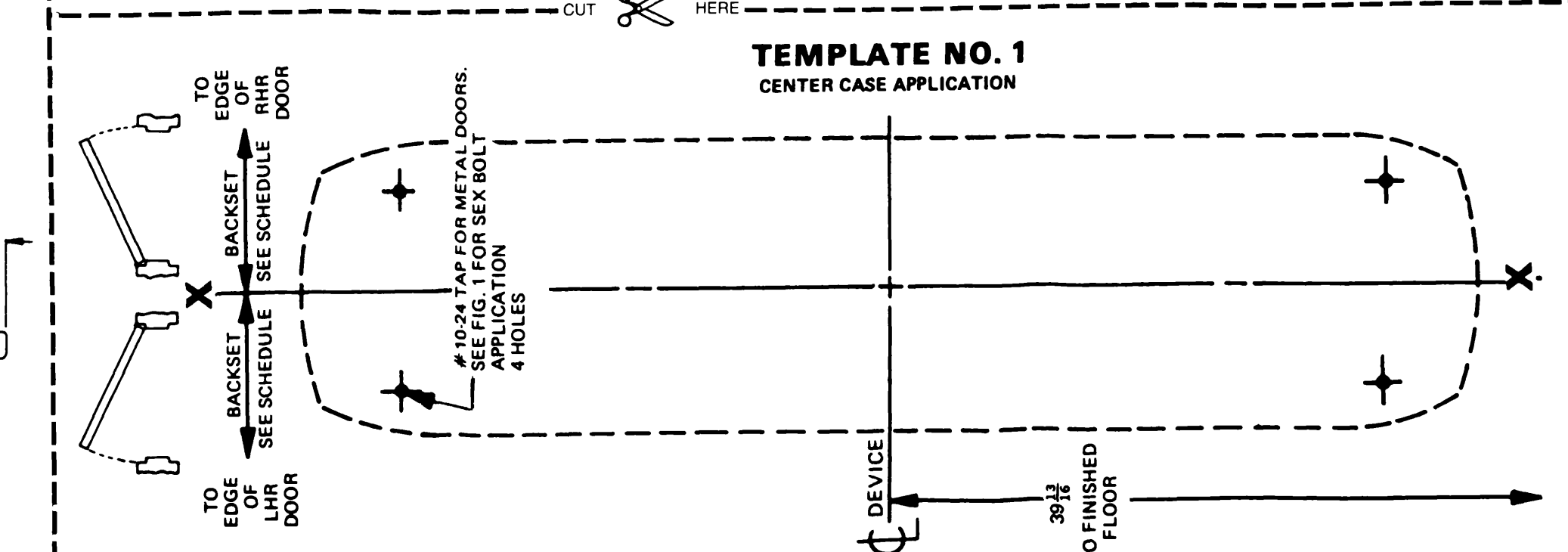
304L STRIKE



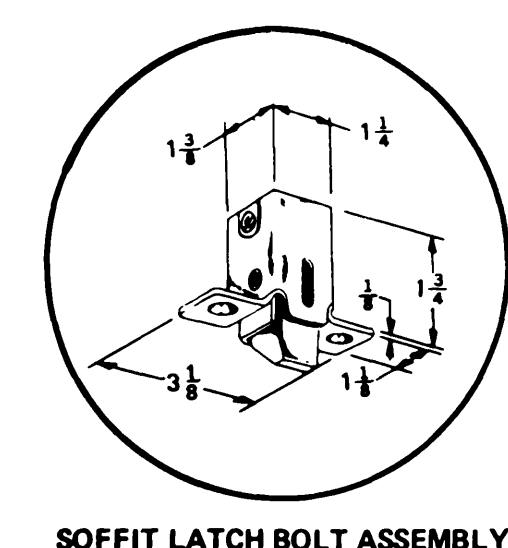
TEMPLATE NO. 3  
TOP LATCH CASE



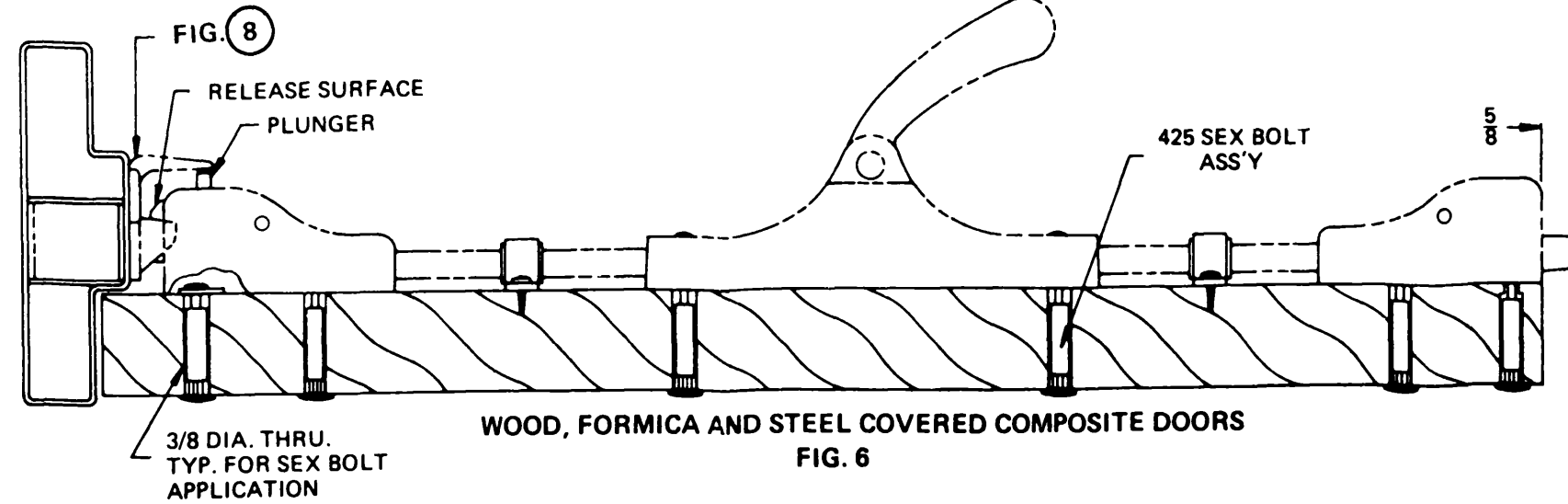
TEMPLATE NO. 2  
BOTTOM LATCH CASE WITH  
300L AND 303L STRIKE



TEMPLATE NO. 1  
CENTER CASE APPLICATION



SOFFIT LATCH BOLT ASSEMBLY



WOOD, FORMICA AND STEEL COVERED COMPOSITE DOORS  
FIG. 6