

VON DUPRIN®

INSTALLATION DIRECTIONS

BEFORE APPLYING THIS DEVICE

- A. Threshold (if any) must be installed.
- B. Doors must be fitted and hung.
- C. Check that handing of hardware corresponds with handing of door.

1. APPLY STRIKE

- A. Tape appropriate strike template No. 3 or No. 4 depending on handing of door to stop.
- B. When Von Duprin Mullion is used apply strike at tapped holes in Mullion. (See illustration 1.)

2. PREPARE DOOR

- A. Tape full size template No. 1 or 2, depending on handing of door, to inside face of lock stile. Be sure center line of device is 39-13/16" from finished floor.

NOTE: BE SURE CENTERLINE OF LOCK STILE CASE IS PARALLEL TO STOP AND THAT EDGE OF CASE IS 3/16" FROM EDGE OF STRIKE. STRIKE MUST BE SHIMMED OUT IF LOCK CASE IS MOUNTED MORE THAN 3/16" FROM STRIKE.

- B. Prepare door as shown. See Fig. 1 for wood door application, and Fig. 2 for metal door application.

3. APPLY OUTSIDE TRIM

- A. See directions in trim carton. Line "X-X" on trim template corresponds to line "X-X" on device template and is parallel to edge of door. Transfer line "X-X" from inside face to outside face of door.
- B. Prepare outside face of lock stile.
- C. Cut off thumbpiece and cylinder tailpiece, if necessary, to extend 5/8" to 3/4" thru door and into device case.
- D. Apply outside trim.

4. INSTALL LEVER ARMS

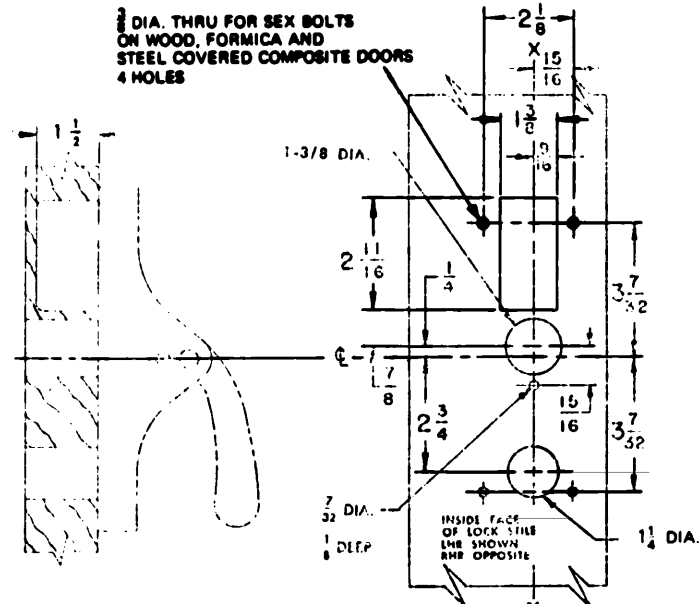
- A. Insert lever arms into lock stile and hinge stile cases.
- B. Assemble axles and tighten securely. (See instructions in axle envelope.)

5. APPLY LOCK STILE CASE

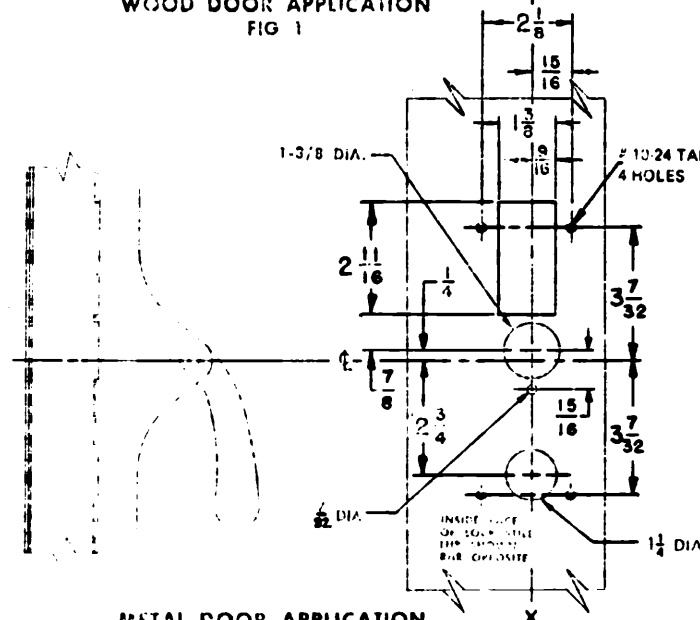
- A. Remove key from cylinder.
- B. Position cylinder cam as shown in Fig. 3.
- C. Attach lock stile case to door. (See Fig. 1 or Fig. 2)
- D. Test key and thumbpiece action.

6. APPLY HINGE STILE CASE AND CROSSBAR TUBE (FIG. 4)

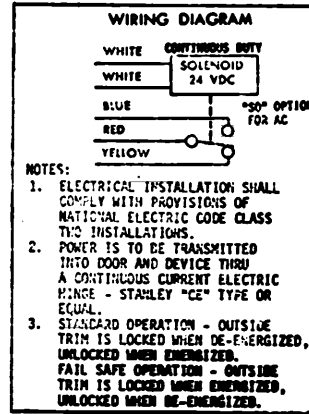
- A. Slip crossbar tube on lock stile and hinge stile lever arms. (See form No. 52 for cutting crossbar, if necessary.)
- B. Be sure crossbar is level and hinge stile case is parallel to edge of door and approximately on centerline of exposed stile.
- C. Using holes in hinge stile case, mark location and prepare door for attaching screws.
- D. Apply hinge stile case with crossbar in place.
- E. Tighten wedge-tite set screws securely with dog key and screwdriver or equivalent for leverage, and test crossbar for free action. (See form No. 52 for these instructions.)



WOOD DOOR APPLICATION
FIG. 1



METAL DOOR APPLICATION
FIG. 2



SINGLE DOOR INSTALLATION		
STRIKE	BACKSET	MIN. STILE
268	SEE ILLUSTR. 2	4-3/8
DOUBLE DOOR INSTALLATION WITH VON DUPRIN MULLIONS		
MULLION & STRIKE	BACKSET	MIN. STILE
8854 x 268	SEE ILLUSTR. 1	4-11/16

SINGLE DOOR OPENING 39-13/16" TO FINISHED FLOOR	
THRESHOLD NO.	TO FIN. FLOOR
350 or 360	39-13/16
355 or 365	
380	
ALL OTHER THRESHOLDS	
NO THRESHOLD (FLAT SILL)	

FOR TRIM APPLICATION SEE DIRECTIONS IN TRIM CARTON

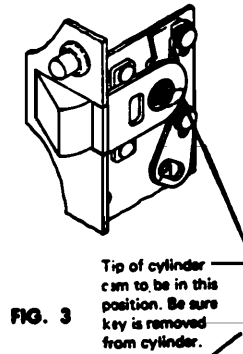


FIG. 3

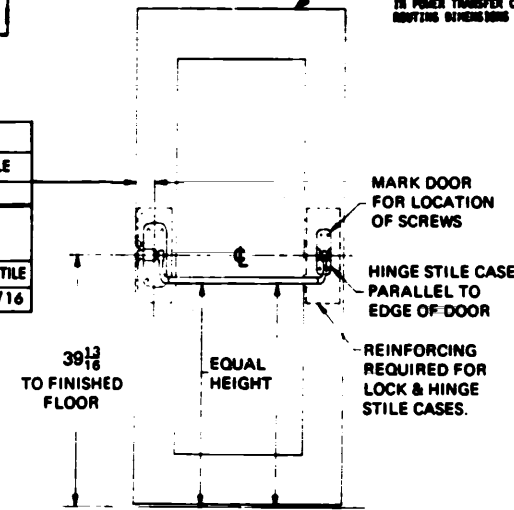
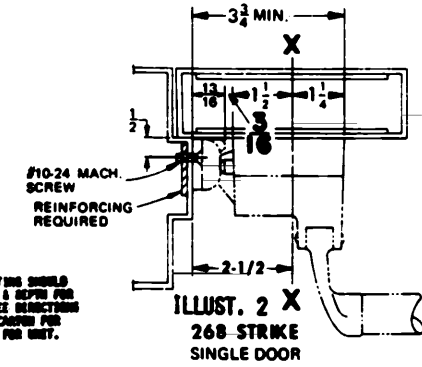
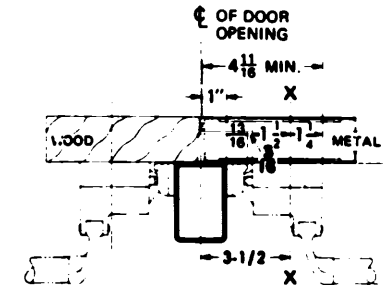


FIG. 4

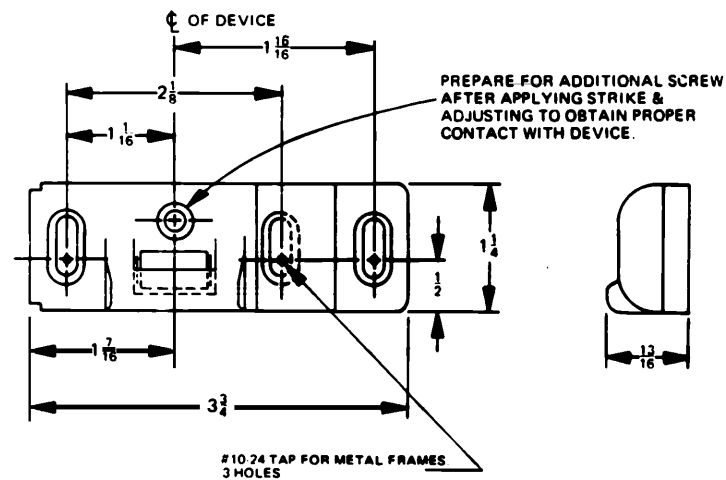


ILLUSTR. 2 X
268 STRIKE
SINGLE DOOR

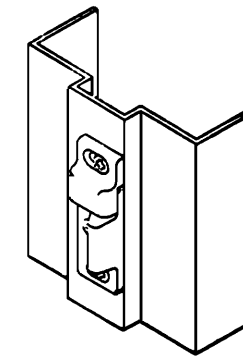


ILLUSTR. 1
8854 MULLION WITH 268 STRIKE

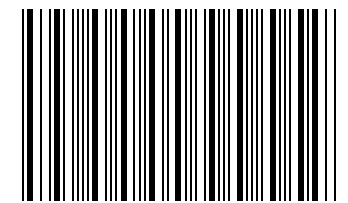
DESCRIPTION	E-88TP-ML-F & E-88TP-ML-F(F.S.)	VON DUPRIN
SERIES	ELECTRIC LOCKING RIM DEVICE	DIRECTION NUMBER 911187-00(1) DATE 1/01/03



268 STRIKE



LHR SHOWN
RHR OPPOSITE



911187-00