

# VON DUPRIN®

## Installation Instructions

### 94/95 Series **INPACT™** Exit Device EL Retrofit Kit

#### GENERAL INFORMATION

This kit converts 94/95 series devices to electric latch (EL) retraction devices.

Before beginning installation, review “Specifications,” “Parts List,” and “Warnings.”

#### SPECIFICATIONS

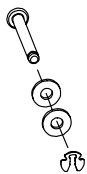
##### Solenoid:

Continuous duty: 24 VDC

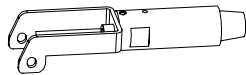
Current inrush: 16 A

Current holding: 0.3 A

#### PARTS LIST



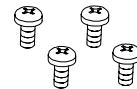
Pin, washers,  
& retaining ring



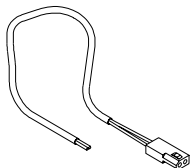
Plunger  
assembly



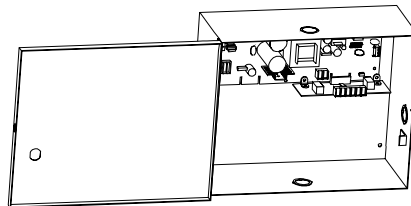
Solenoid  
assembly



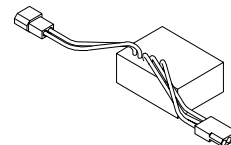
Solenoid mounting  
screws (4)



EL  
Cable



PS873 power supply with  
871-2 option board (not in kit)



Circuit  
breaker

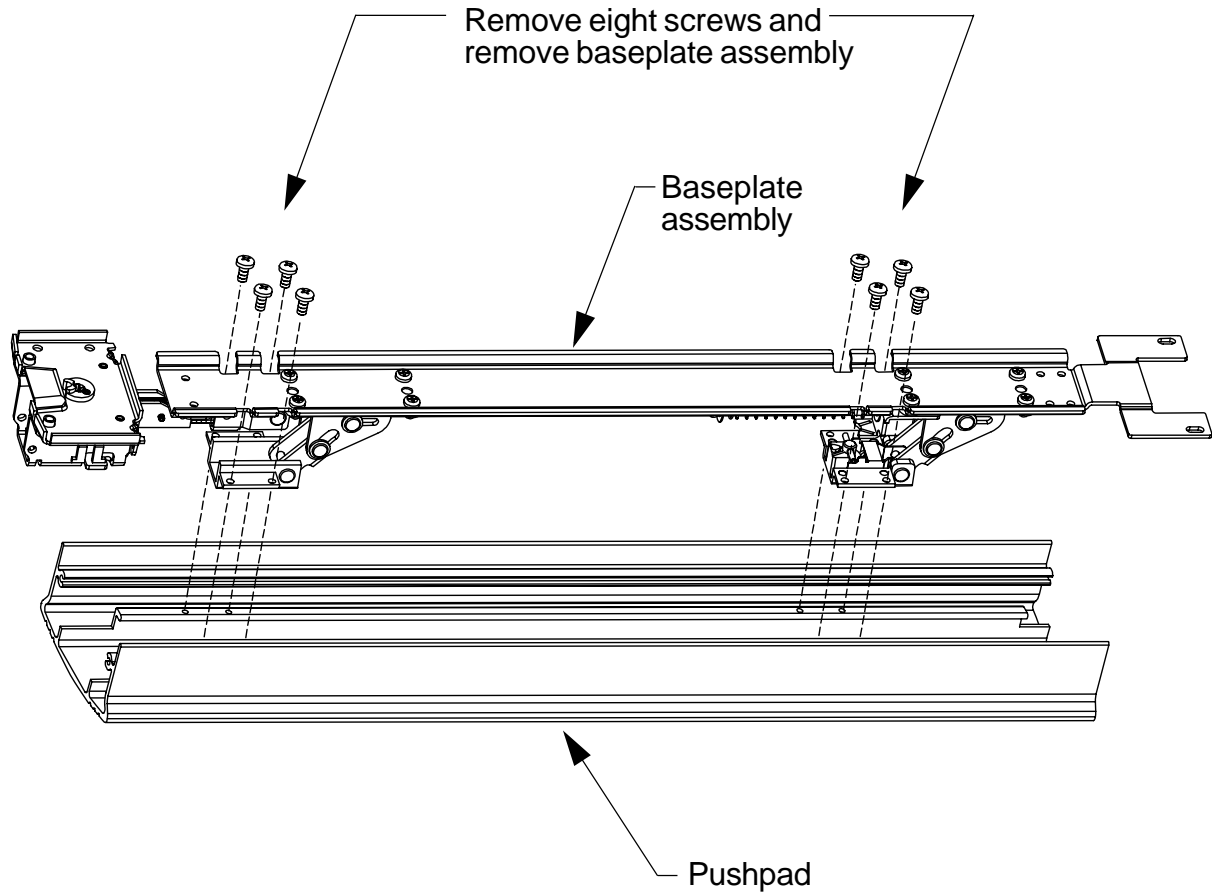
#### WARNINGS

1. Install according to instructions or device will not function and panic or fire label will be void.
2. The solenoid wiring must be attached to the fire alarm system if installed on fire exit hardware.
3. PS873 power supply with 871-2 option board must be used for EL device to operate properly.
4. Field wiring between the power supply and the door must be 12 AWG, 200 ft. maximum.

# INSTALLATION

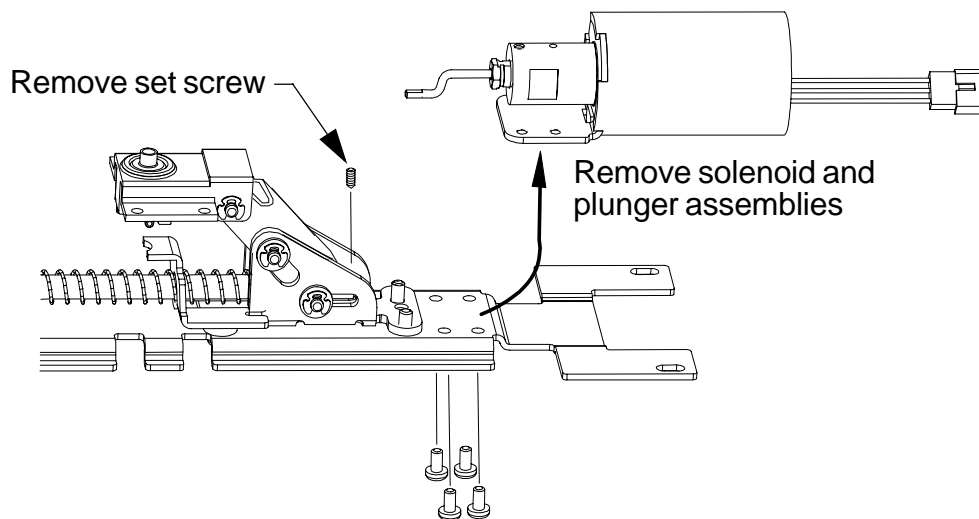
**1** Remove device from door if installed (see device instructions).

**2** Remove baseplate assembly from pushpad.

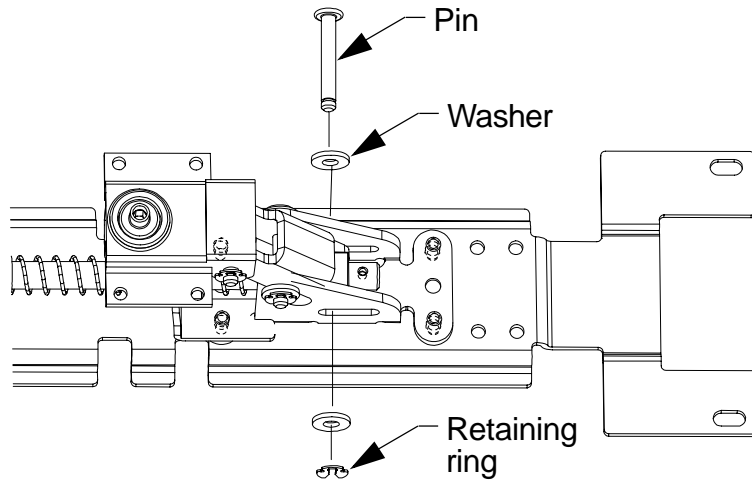


**3** If old EL solenoid is present, remove old solenoid and plunger as shown.

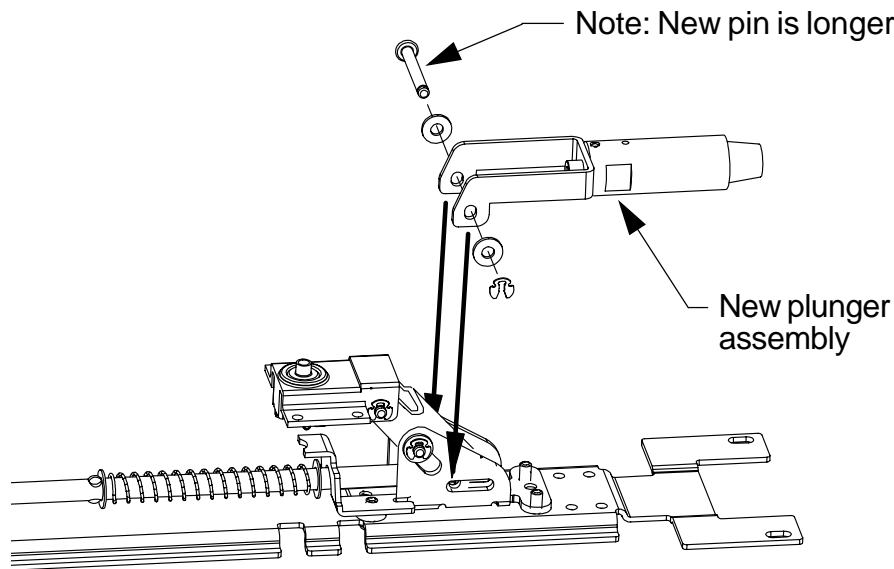
Note: If old EL solenoid is not present, go to step 4.



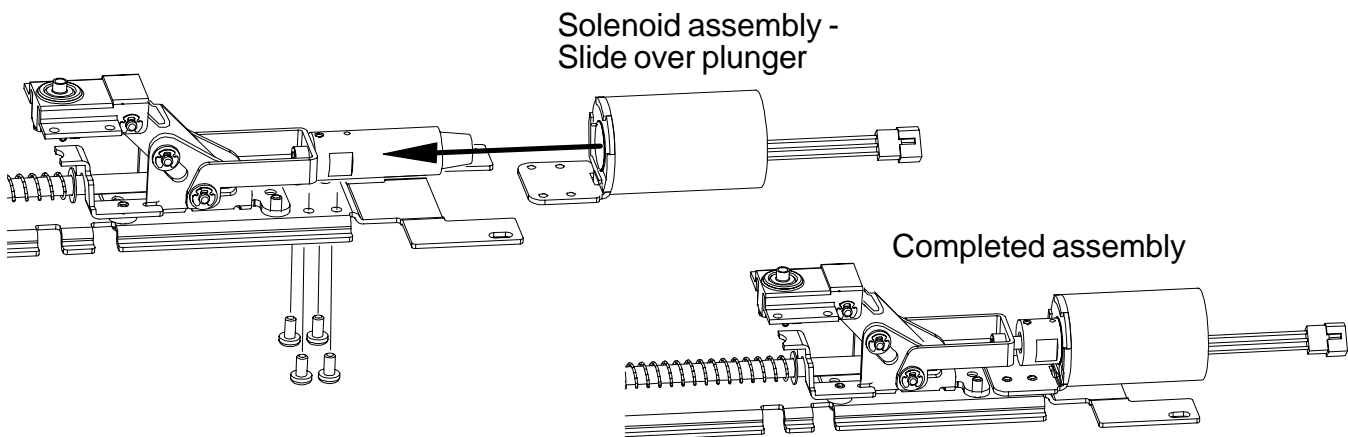
**4** Remove old retaining clip, pin, and washers from baseplate as shown.



**5** Install new plunger assembly and new pin, washers, and retaining clip as shown.



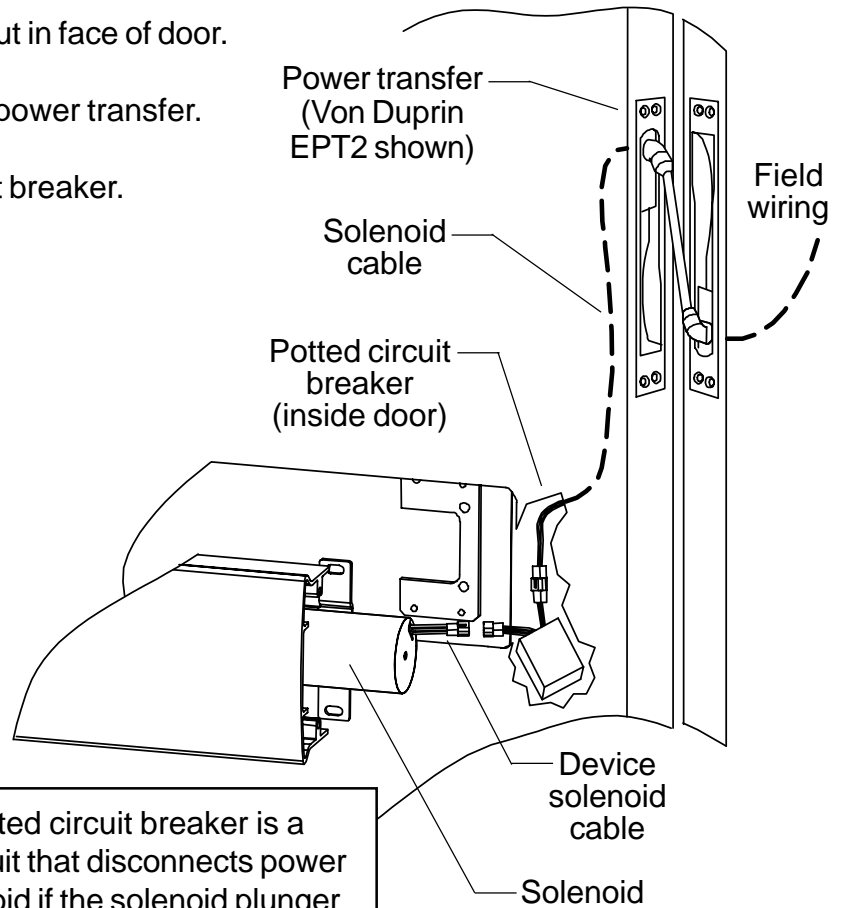
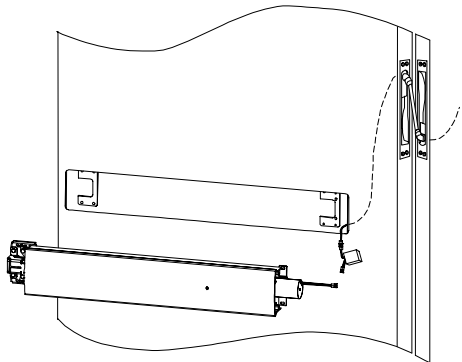
**6** Install new EL solenoid assembly and secure with 4 screws as shown.



## 7 Reinstall baseplate assembly to pushpad.

## 8 Wire potted circuit breaker.

- 8.1. Connect field wiring to frame side of Von Duprin EPT2, Von Duprin door loop, or electric hinge.
- 8.2. Pull solenoid cable through device cutout in face of door.
- 8.3. Connect solenoid cable to door side of power transfer.
- 8.4. Connect solenoid cable to potted circuit breaker.



911367-00

**Note:** The potted circuit breaker is a protection circuit that disconnects power from the solenoid if the solenoid plunger fails to seat properly. To reset the protection circuitry, remove power from the solenoid and reapply.

## 9 Complete wiring.

For field wiring and power supply information see instructions 941352\_00 (included with power supply).

## TROUBLESHOOTING

### Problem

### Solution

- |                                             |                                                                                                                                                          |
|---------------------------------------------|----------------------------------------------------------------------------------------------------------------------------------------------------------|
| 1. Solenoid pulls but releases immediately. | <b>1A.</b> Check device vertical rod adjustment (if vertical rod device).<br><b>1B.</b> Make sure dog screw in solenoid does not interfere with plunger. |
| 2. Device works intermittently.             | <b>2A.</b> Check power supply. It must be Von Duprin PS873 with 871-2 option board.<br><b>2B.</b> Check field wiring. It must be 12 AWG.                 |