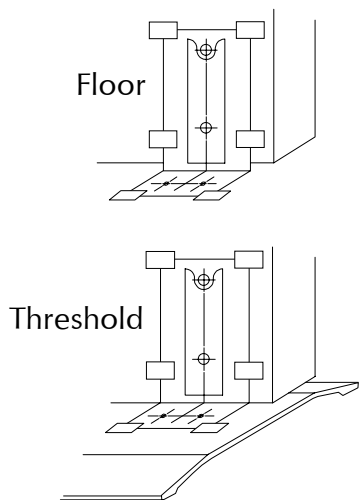


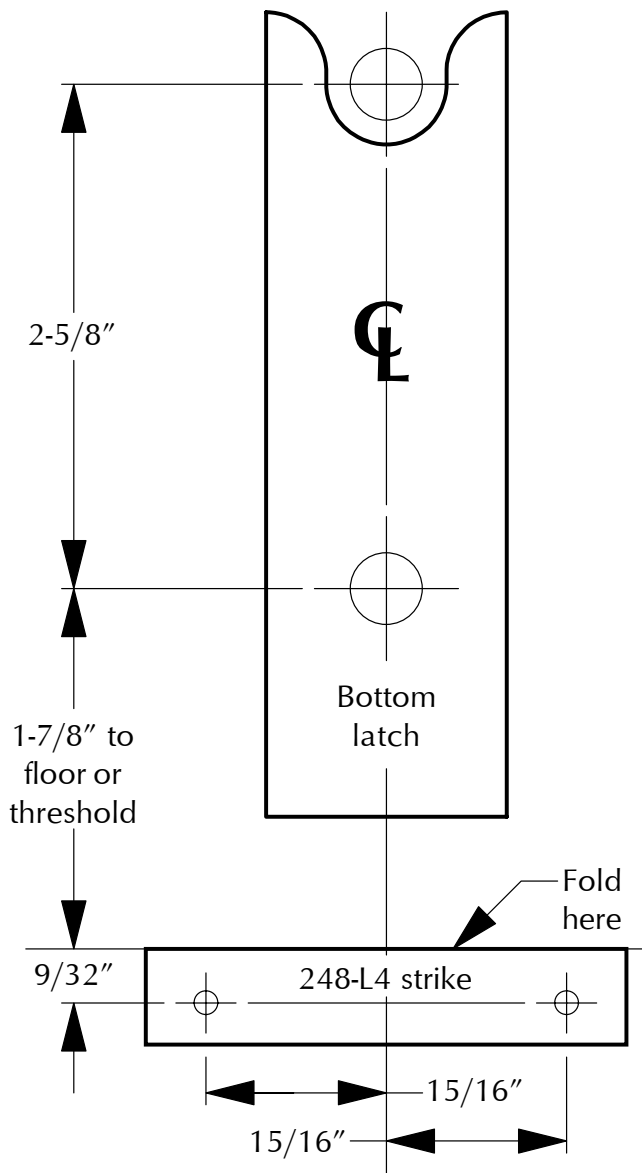
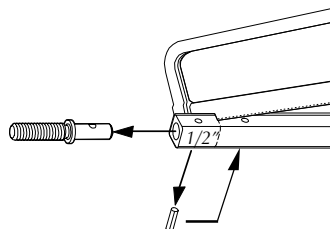
VON DUPRIN®

9927 LATCH AND STRIKE TEMPLATES

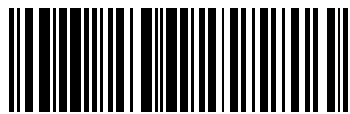
BOTTOM LATCH AND 248-L4 STRIKE



For **threshold** application, remove roll pin and fitting, cut bottom rod, reinstall fitting and roll pin in second hole



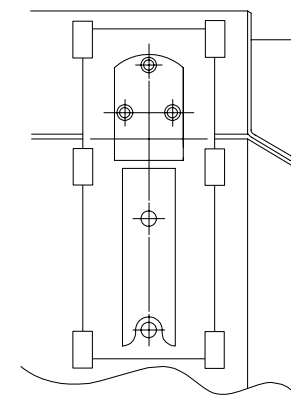
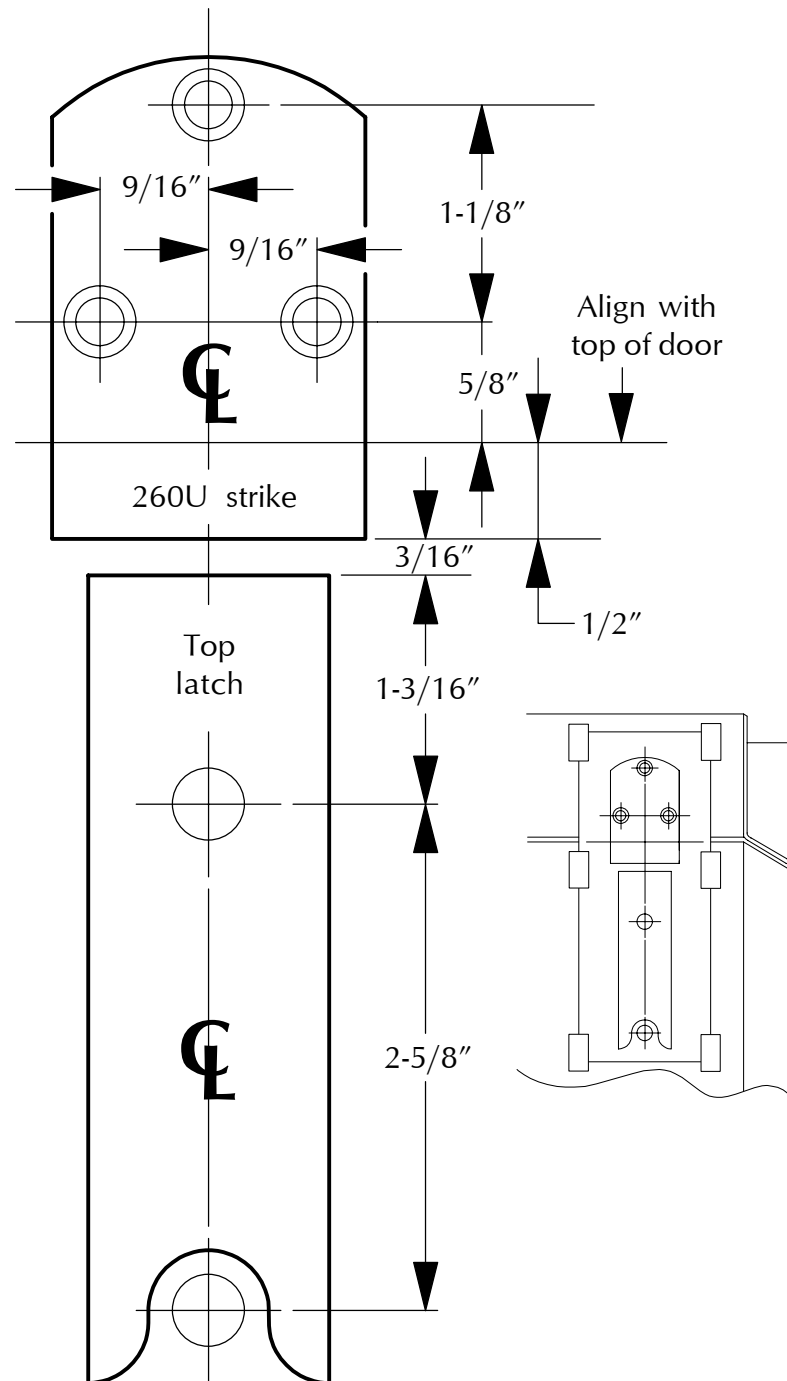
IR Security & Safety
Proven Source. Proven Solutions.™



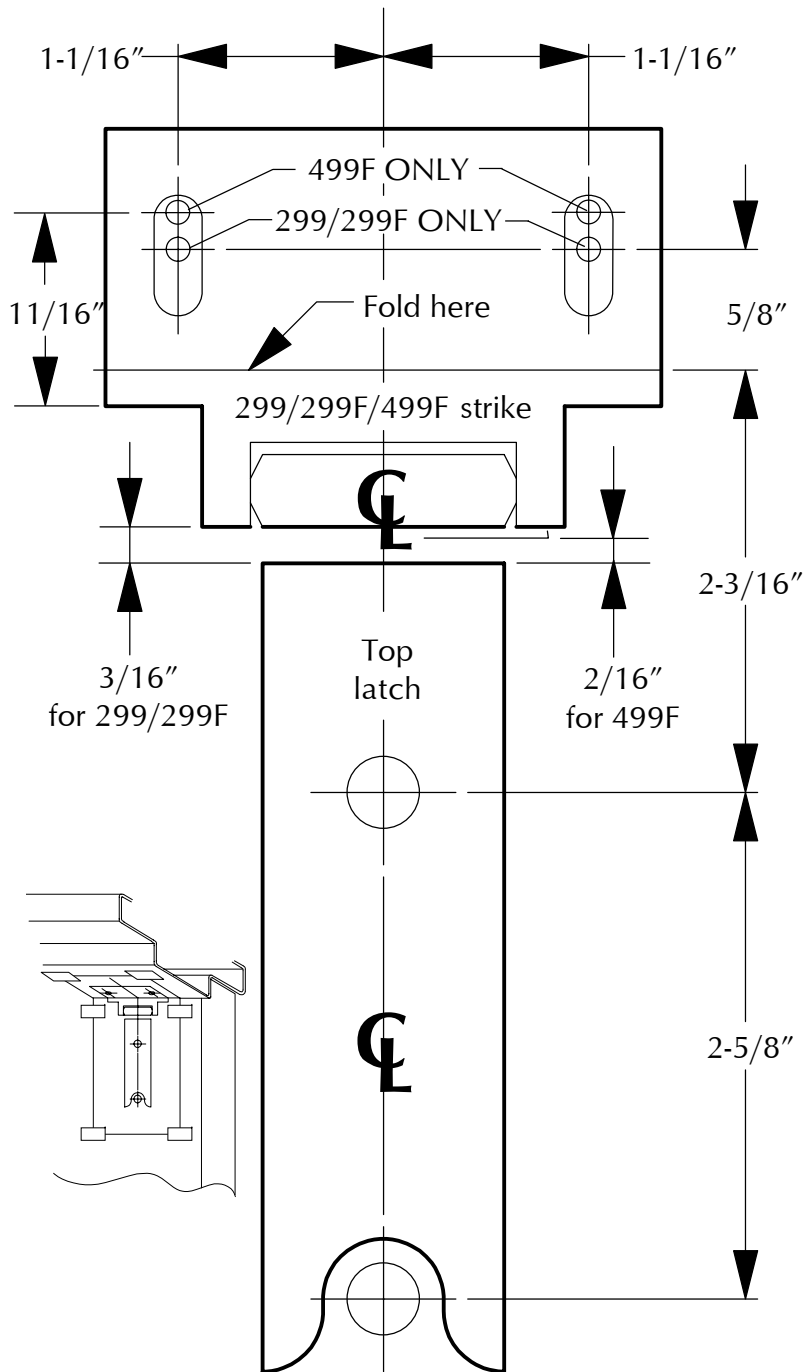
911379-00

911079_00(1) Copyright © 2005 Ingersoll-Rand. All rights reserved.

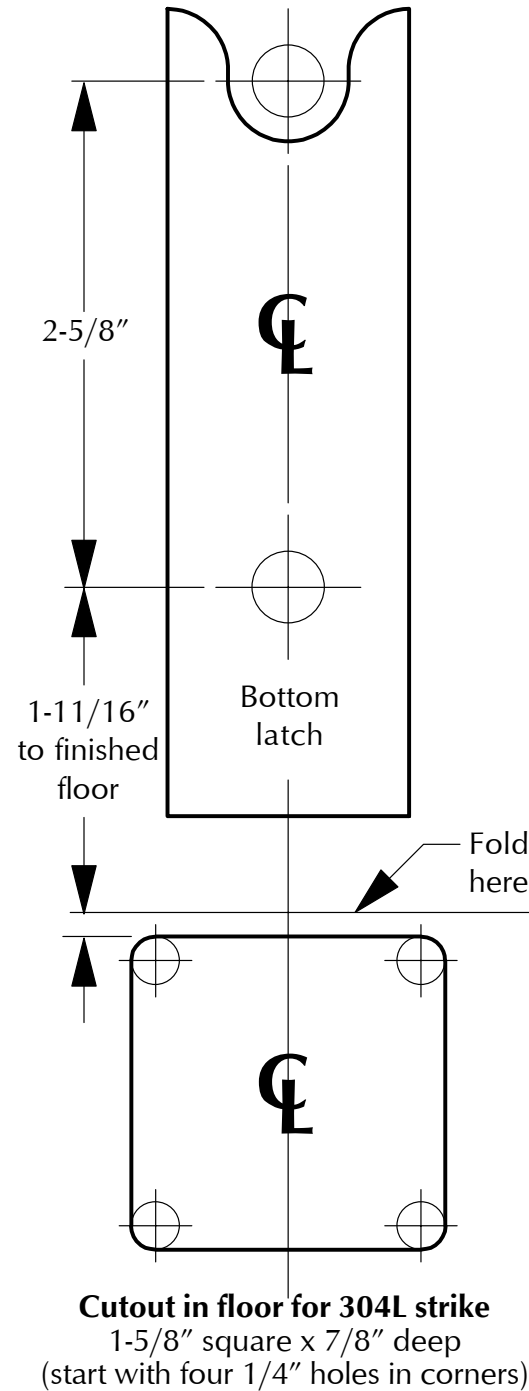
TOP LATCH AND 260U STRIKE



TOP LATCH AND 299/299F/499F STRIKE



BOTTOM LATCH AND 304L STRIKE



BOTTOM LATCH AND LATCH TRACK

