

VON DUPRIN

Conversion Instructions

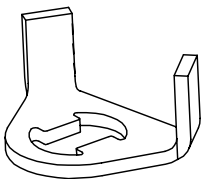
33/35, 33A/35A, and 98/99 Series Hex Dogging to Cylinder Dogging

GENERAL INFORMATION

The cylinder dogging (CD) kit is for field conversion of 33/35, 33A/35A, and 98/99 hex dogging to cylinder dogging.

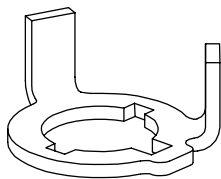
This kit requires a standard 1-1/4" mortise cylinder. A cylinder is not furnished with this kit and must be specified when ordering.

PARTS LIST

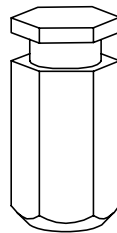


Old Design
(pre 9/97)

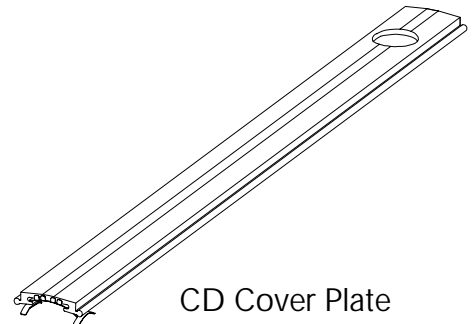
Actuator Arm



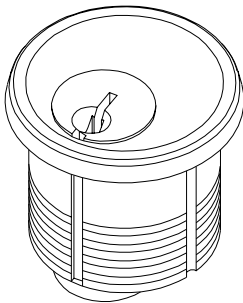
Current Design



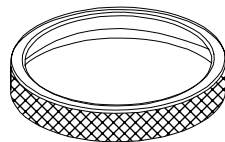
CD Dogging Plug



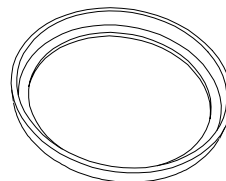
CD Cover Plate



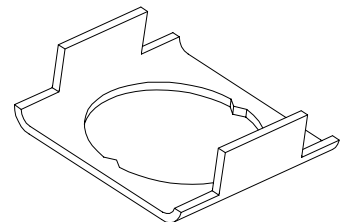
Standard 1-1/4"
Mortise Cylinder
(not provided)



Cylinder Lock Nut

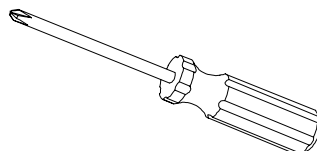


Cylinder Collar



Cylinder Locating
Washer

TOOLS NEEDED

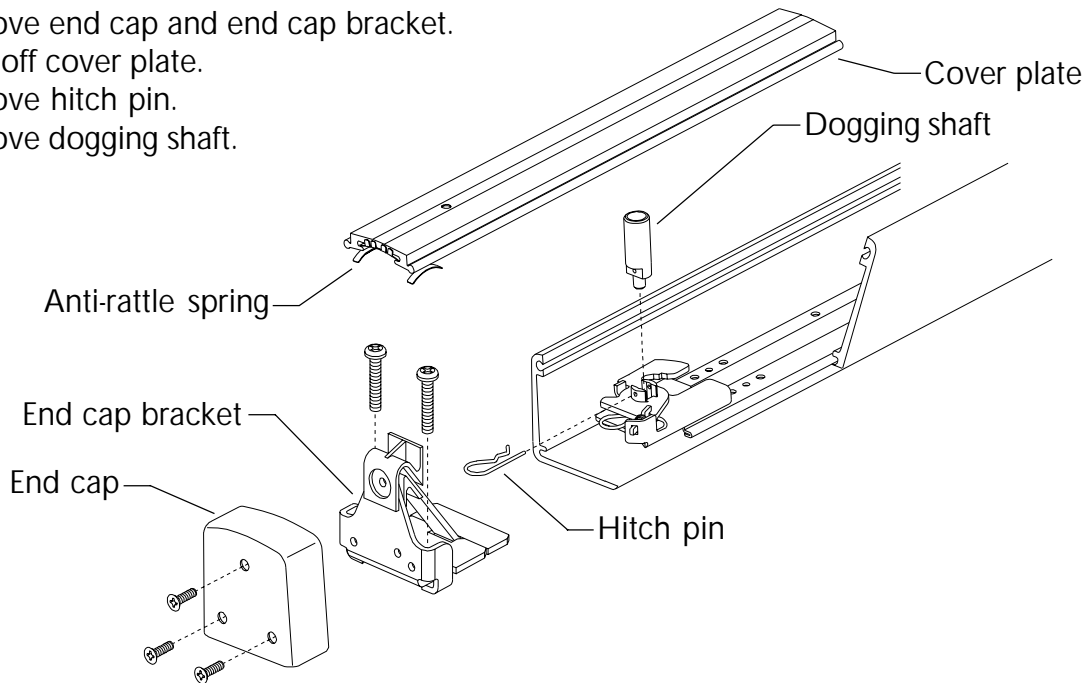


Phillips Screwdriver

OLD DESIGN (PRE 9/97)

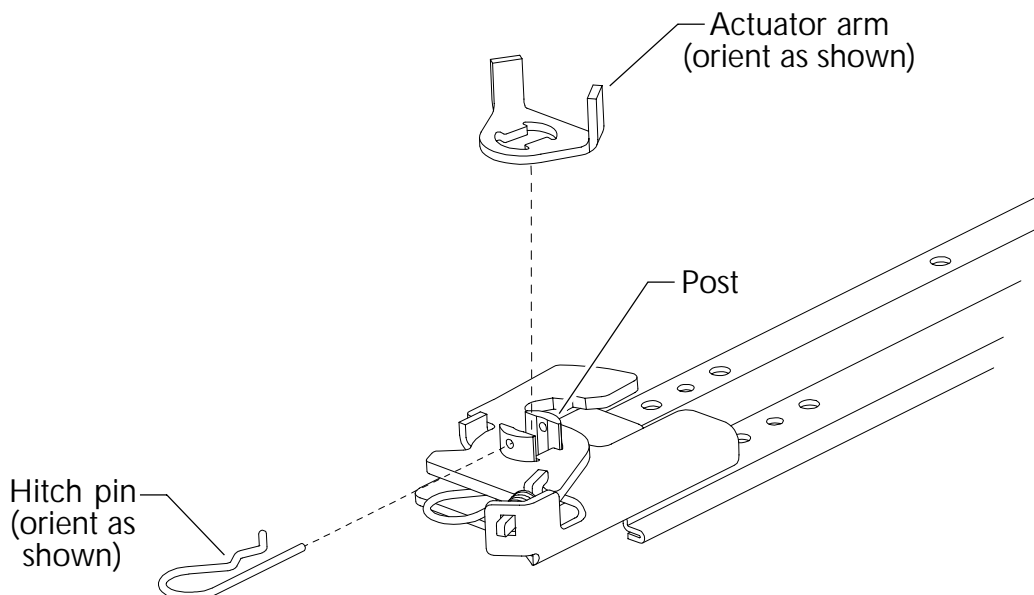
1 Disassemble and remove dogging shaft

- 1.1. Remove end cap and end cap bracket.
- 1.2. Slide off cover plate.
- 1.3. Remove hitch pin.
- 1.4. Remove dogging shaft.



2 Install actuator arm and reassemble

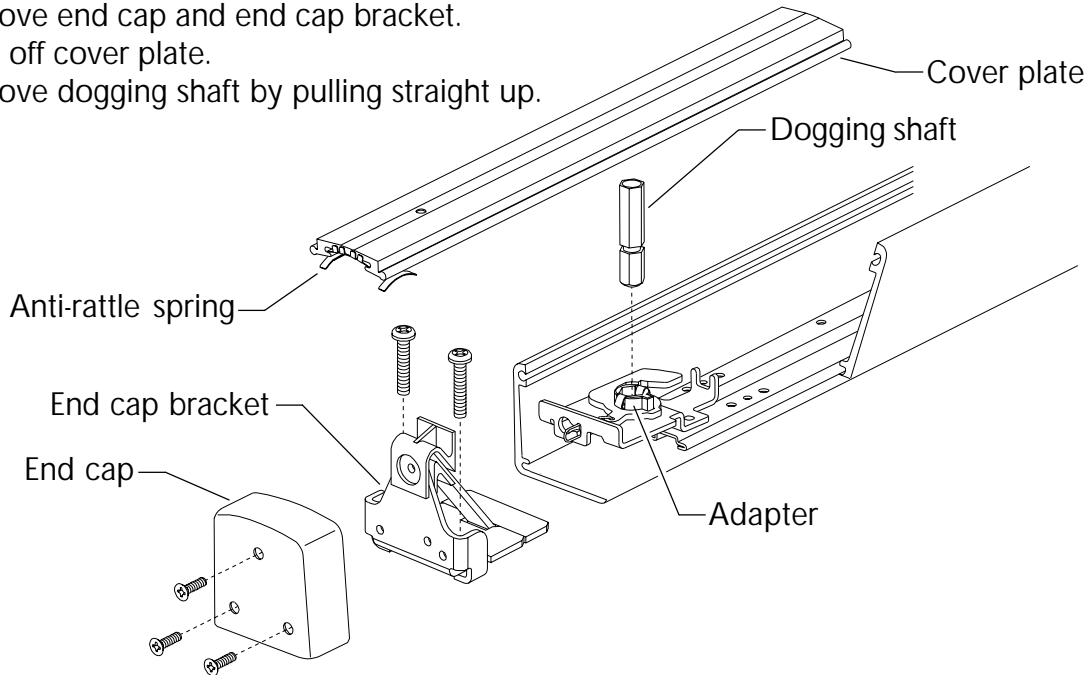
- 2.1. Place actuator arm on post.
- 2.2. Replace hitch pin.
- 2.3. Assemble cylinder in new CD cover plate (see page 4).
- 2.4. Slide assembled CD cover plate on device keeping anti-rattle spring in place.
- 2.5. Replace end cap bracket and end cap.
- 2.6. Check device for proper dogging operation.



CURRENT DESIGN

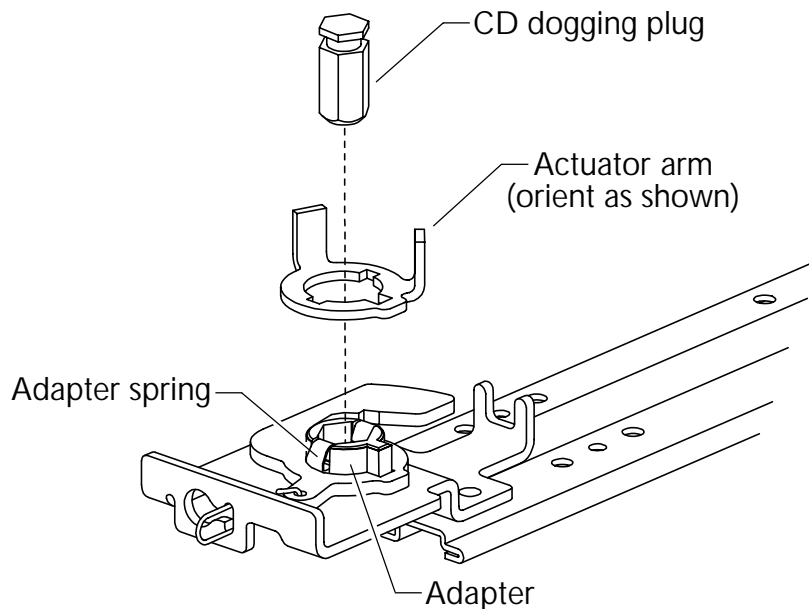
1 Disassemble and remove dogging shaft

- 1.1. Remove end cap and end cap bracket.
- 1.2. Slide off cover plate.
- 1.3. Remove dogging shaft by pulling straight up.



2 Install actuator arm and reassemble

- 2.1. Place actuator arm over adapter and press until parts snap together.
- 2.2. Insert CD dogging plug into hex hole in adapter and press until adapter spring snaps into top groove of CD dogging plug.
- 2.3. Assemble cylinder in new cover plate (see page 4).
- 2.4. Slide assembled cover plate on device keeping anti-rattle spring in place.
- 2.5. Replace end cap bracket and end cap.
- 2.6. Check device for proper dogging operation.



3 Install dogging cylinder

- 3.1. Remove mortise cylinder cam and replace in reverse position with key removed (Figure 3-1).
- 3.2. Insert key and rotate 180° (Figure 3-2A) so cylinder cam is in normal position (Figure 3-2B).
- 3.3. Assemble mortise cylinder and cylinder collar into CD cover plate, then install cylinder locating washer and secure cylinder with cylinder lock nut (Figure 3-3).
- 3.4. Remove key. Make sure cylinder and cylinder cam are in position shown in Figure 3-4 before sliding CD cover plate in place.

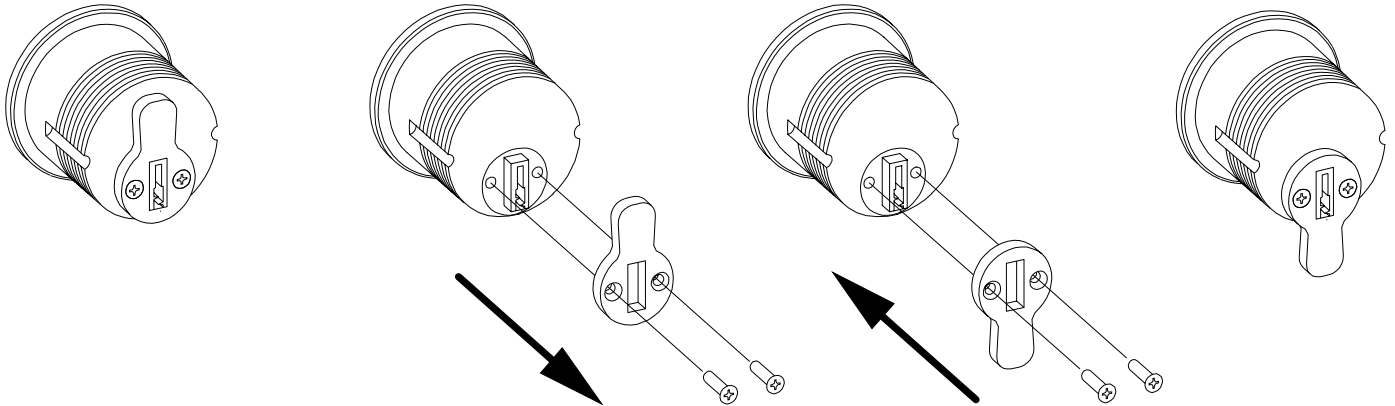


Figure 3-1

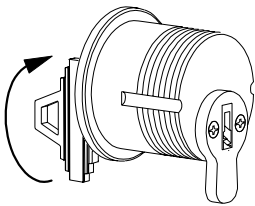


Figure 3-2A

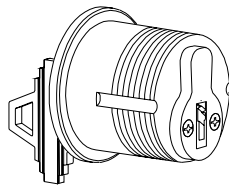


Figure 3-2B

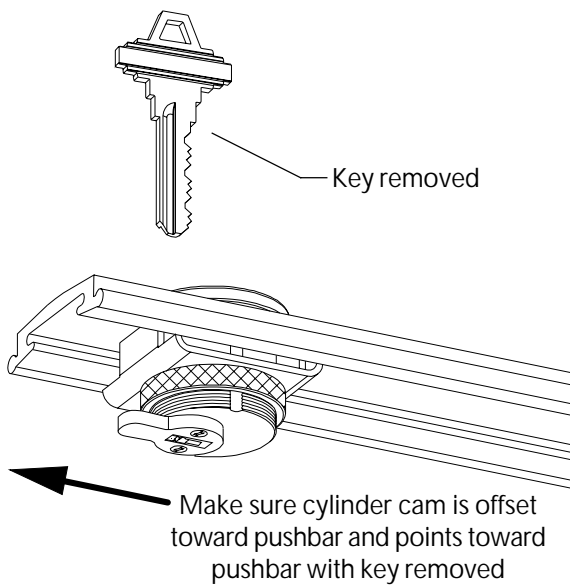


Figure 3-4

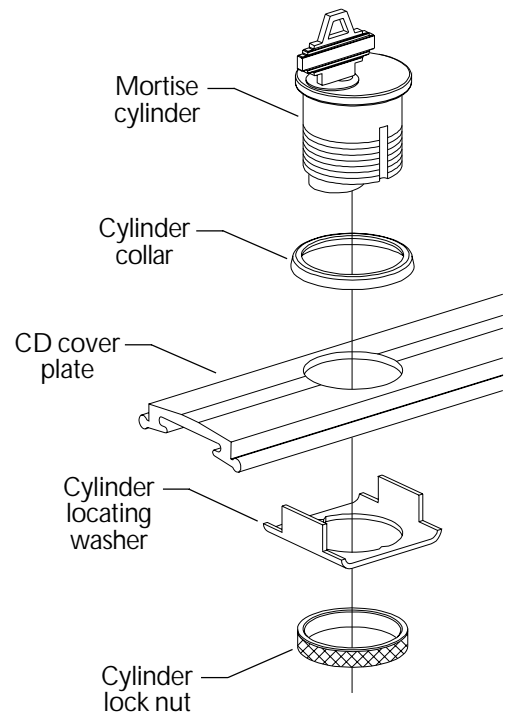


Figure 3-3