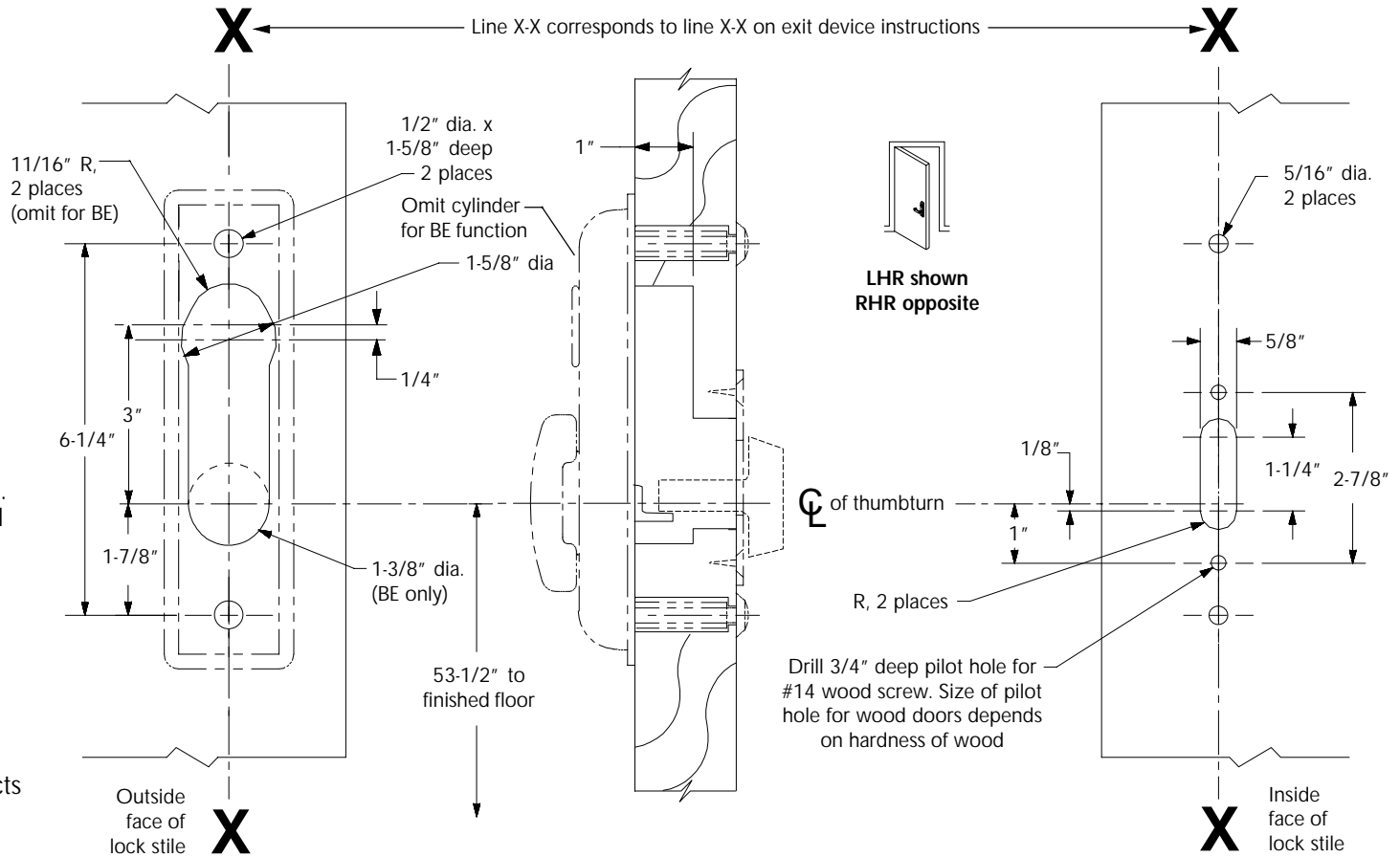
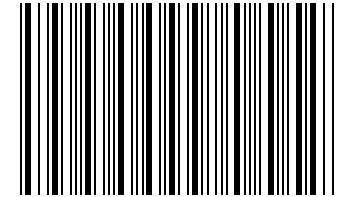


INSTALLATION INSTRUCTIONS

1. Prepare door for exit device. See exit device instructions for locations of holes, backset (line X-X), and center lines.
2. Prepare door for control:
 - A. Transfer line X-X from inside (exit device side) of door to outside (control side) of door. Use extra care if edge of door is beveled. Be sure line X-X is parallel to edge of door.
 - B. Locate and prepare holes as indicated.
3. Install cylinder if required (Figs. 1 & 2). Insure cylinder cam is set for required function and replace if necessary.
4. Install control and rub plate (Fig. 2)
5. Slip rod member on top rod.
6. Install top rods (see direction for vertical rod device).
7. Position rod member so finger contacts cam when top latch bolt is extended.
8. Tighten set screws in rod member.
9. Apply device and test key, control, and device action.



For cutouts on inside face of door see instructions in device carton	Device Application Schedule
	8827, 8827-F Vertical Rod Exit Device



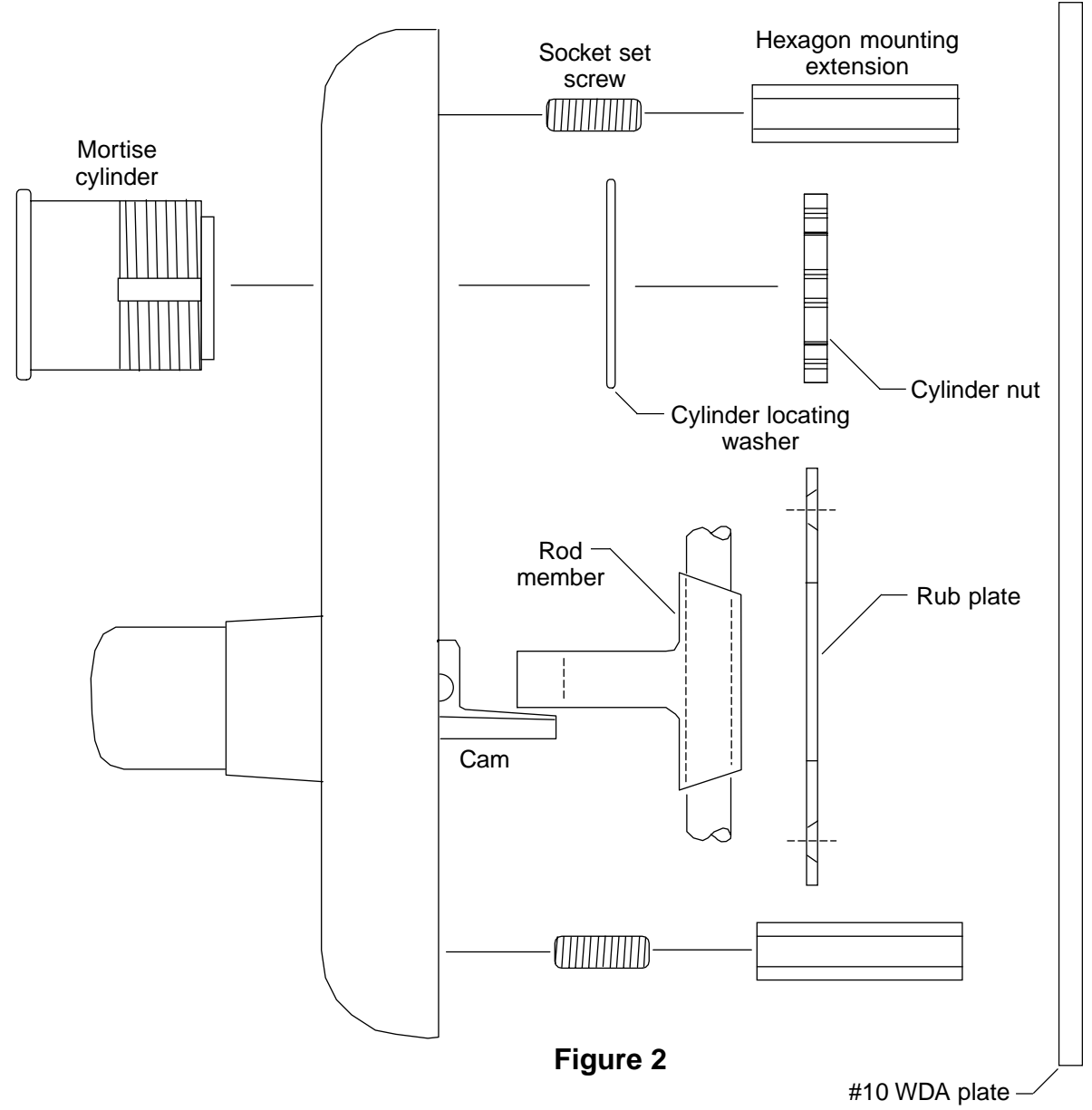
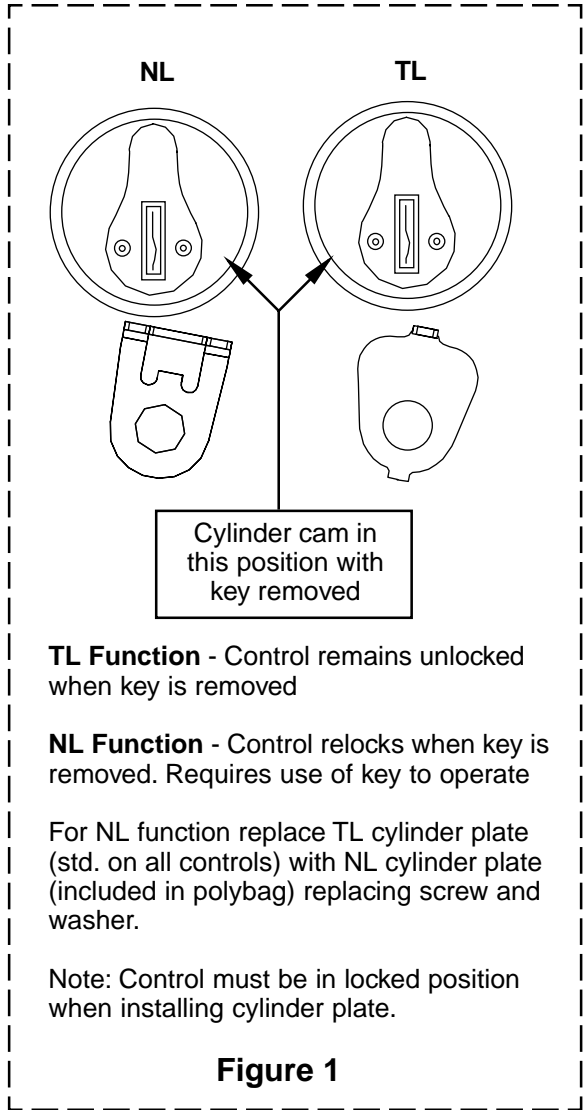
941145-00

VON DUPRIN.

DESCRIPTION:
**377-T, 377-T-BE Control
 for Wood Door Application**
 Copyright © 2003 Ingersoll-Rand. All rights reserved.



DIRECTION NUMBER: 941145_00(7)	SHEET#: 1 of 2	DATE: 10-07-2003
--	--------------------------	----------------------------



VON DUPRIN

DESCRIPTION:
**377-T, 377-T-BE Control
 for Wood Door Application**
 Copyright © 2003 Ingersoll-Rand. All rights reserved.

IR Security & Safety
 Proven Source. Proven Solutions.™

DIRECTION NUMBER: 941145_00(7)	SHEET#: 2 of 2	DATE: 10-07-2003
-----------------------------------	-------------------	---------------------