

INSTALLATION INSTRUCTIONS:

1. Prepare door for exit device. See exit device instructions for holes and backset.
2. Transfer center line from inside (exit device side) of door to outside (control side) of door. Use extra care if edge of door is beveled. Be sure center line is parallel to edge of door.
3. Locate and prepare all holes as indicated in diagrams on other side.
4. Install exit device.
5. Make sure control cam is in position shown in Figure 1.
6. Install cylinder, if used, in control (Figure 2).
7. Make sure control cylinder plate is correct for desired function (NL or TL; Figure 3).
8. Disconnect top vertical rod.
9. Apply control, wood door cover plate, and rub plate to door and secure with screws (Figure 4).
10. Place rod member on top vertical rod so rod member finger faces door and curved side of rod member finger faces down (Figure 5).
11. Insert rod member finger into slot in door. Reconnect top vertical rod.
12. With top latch bolt extended, slide rod member up rod so rod member finger touches control cam.
13. Tighten set screws in rod member with 1/8" hex wrench.
14. Test key, control, and exit device action.

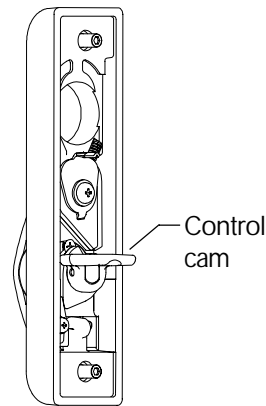


Figure 1. Control cam position.

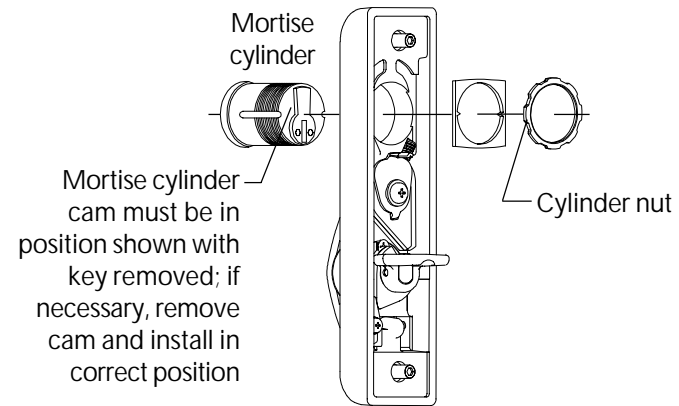


Figure 2. Cylinder installation.

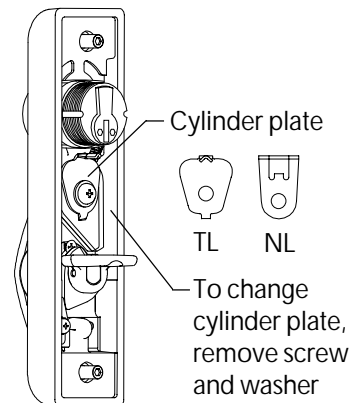


Figure 3. Cylinder plate.

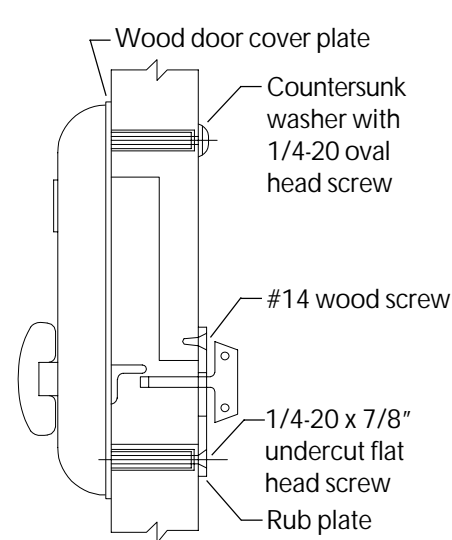


Figure 4. Control and rub plate application.

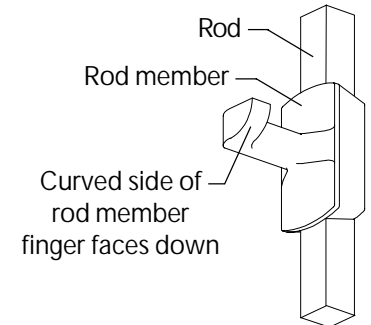
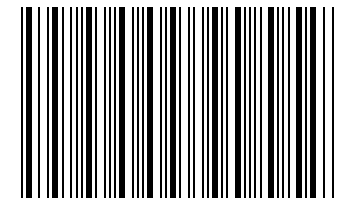


Figure 5. Rod member position.



941146-00

Surface Vertical Rod Device Application Schedule	
2227	3327/3527
2227-F	3327A/3527A
9827/9927	3327A-F/3527A-F
9827-F/9927-F	

VON DUPRIN®

DESCRIPTION:

374-T AND 374-T-BE CONTROL FOR WOOD DOOR APPLICATIONS

Copyright © 2003 Ingersoll-Rand. All rights reserved.

IR Security & Safety®
Proven Source. Proven Solutions.™

DIRECTION NUMBER:

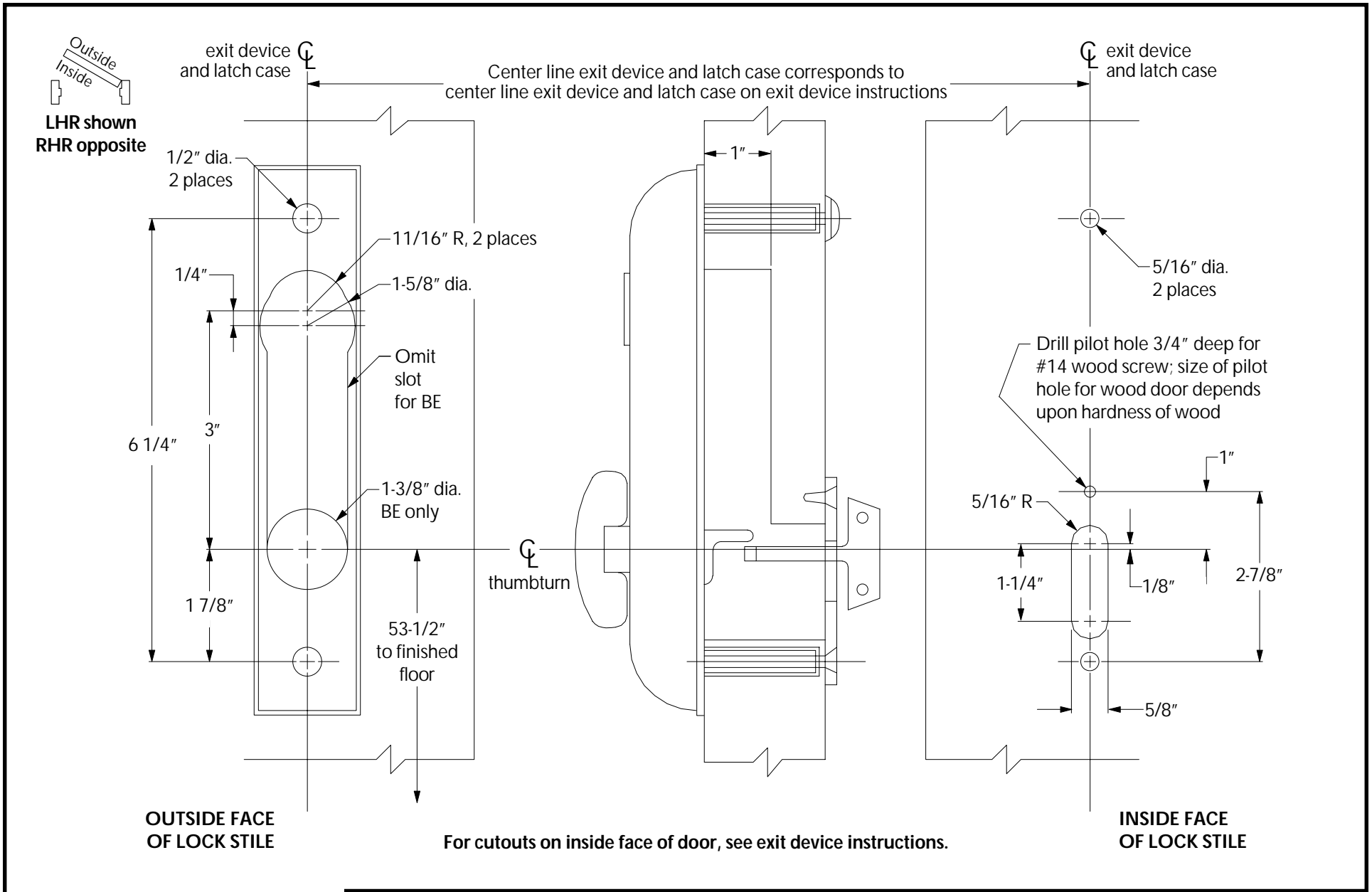
941146_00(11)

SHEET#:

1 of 2

DATE:

10-07-2003



VON DUPRIN®

DESCRIPTION:
**374-T AND 374-T-BE CONTROL
 FOR WOOD DOOR APPLICATIONS**
 Copyright © 2003 Ingersoll-Rand. All rights reserved.



DIRECTION NUMBER: 941146_00(11)	SHEET#: 2 of 2	DATE: 10-07-2003
---	--------------------------	----------------------------