

# Installation Instructions for 9854 Removable Mullion

- Adjust ball plunger for top and bottom fitting. Adjust ball plunger out until ball is compressed when fitting is engaged with mullion. Once adjusted properly, lock-tite in place. See *Figure 1*.

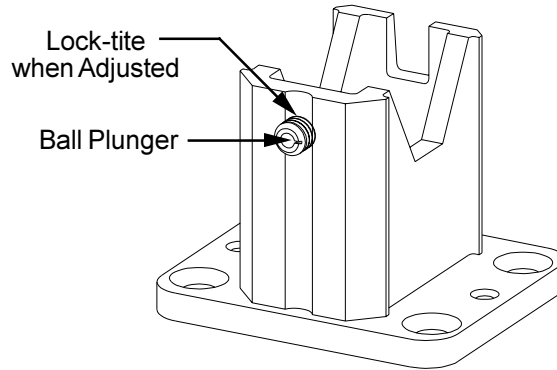


Figure 1

- Line up and install bottom mullion fitting with center of door opening and flush with closed doors. If threshold is used, it must be cut to fit around the bottom fitting. See *Figures 2 and 3*.

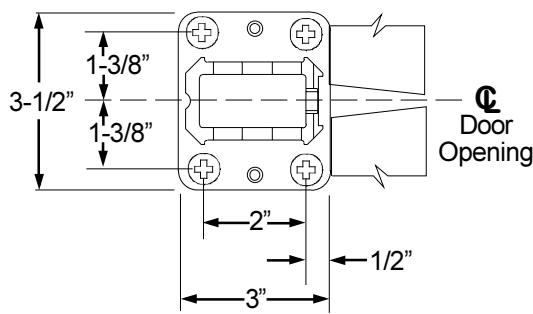


Figure 3

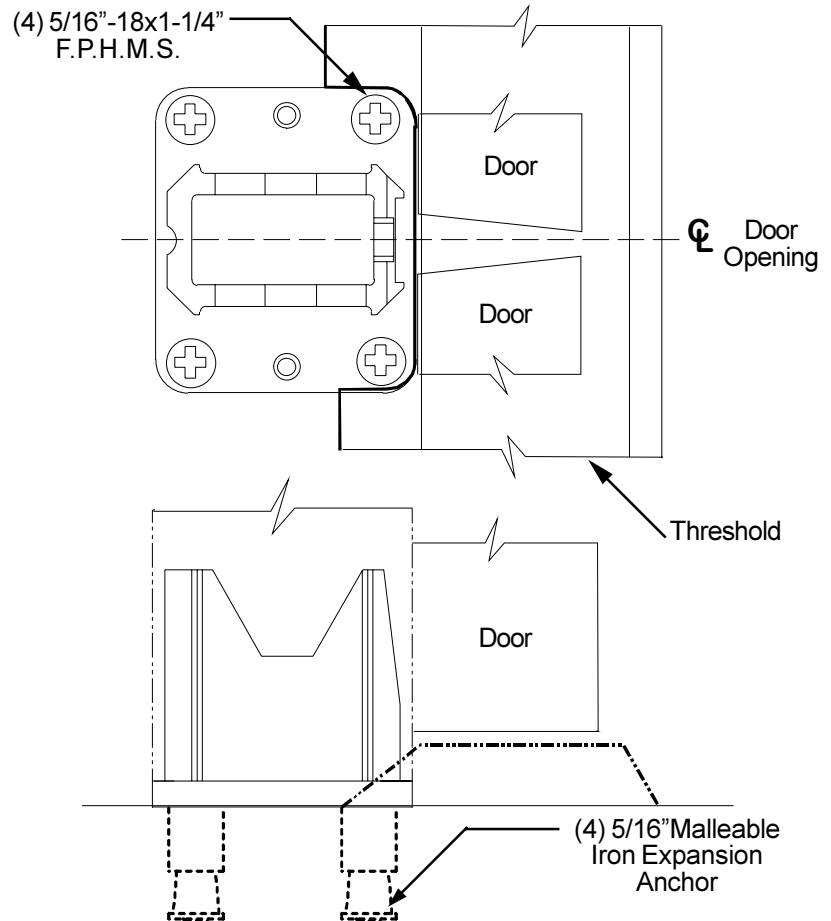
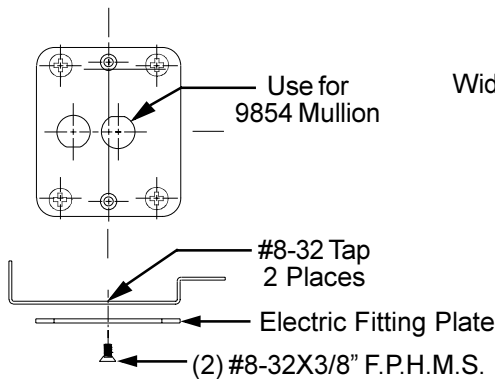


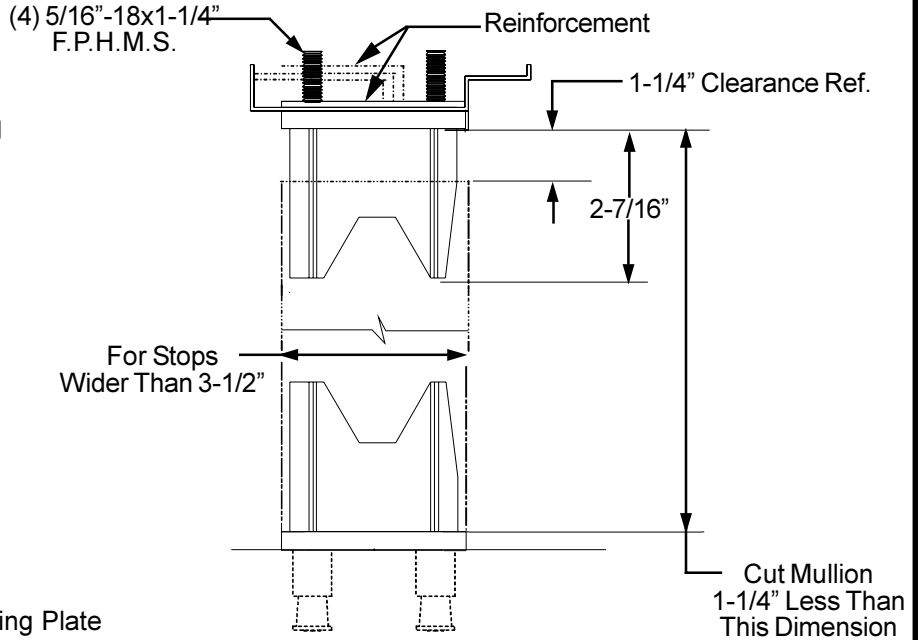
Figure 2

# Installation Instructions for 9854 Removable Mullion

- 3** Line up and install top mullion fitting and electric fitting plate with center of door opening and flush with closed doors. If stop is less than 3-1/2" wide, a filler block must be provided by others. See *Figures 4 and 5*.



**Figure 5**

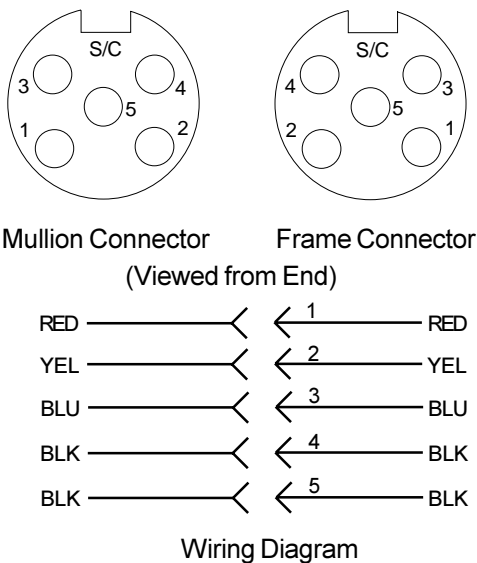


**Figure 4**

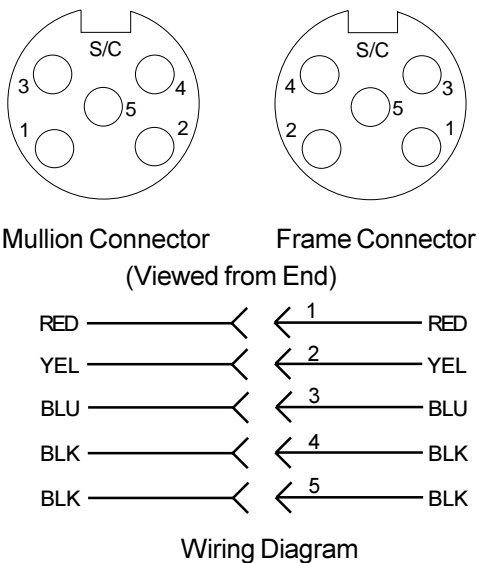
- 4** Cut mullion body from the top to provide clearance as shown in *Figure 4*. Be sure mullion is seated on bottom fitting.

- 5** Remove top mullion fitting and insert in top of mullion body. See *Figure 6*.

- Mate the electric mullion and frame connectors.
- Slide mullion into place and replace mounting screws.
- Install top mullion clamp.



**Note:**  
Reinforcement for all sheet metal frames is to be supplied by frame mfr.



**Figure 6**