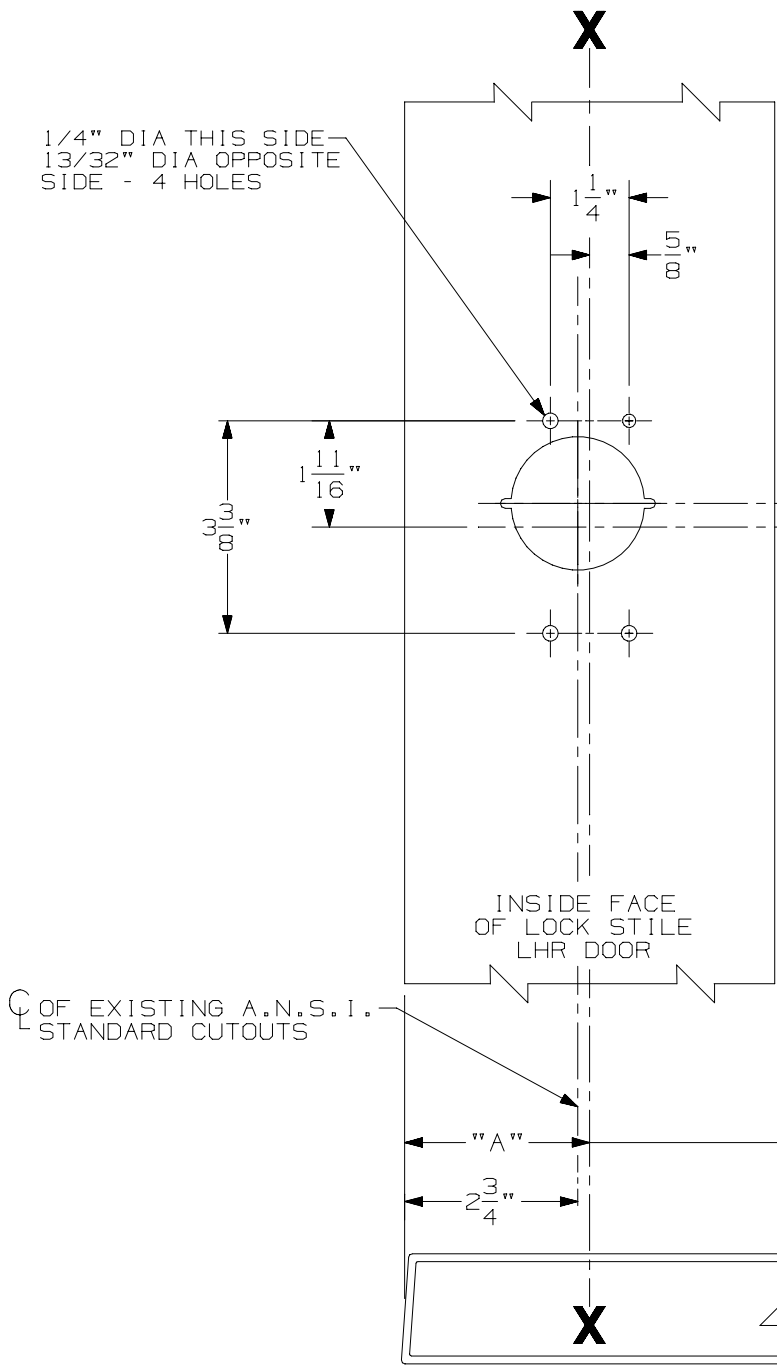


TYPE 161 STOCK HOLLOW METAL DOOR

A.N.S.I. CUTOUTS ARE SHOWN FOR REFERENCE ONLY. SEE A.N.S.I. SPECIFICATION NO. A115 FOR THE SIZE AND LOCATION OF THESE CUTOUTS.



LHR APPLICATION SHOWN
RHR APPLICATION OPPOSITE

SINGLE DOOR OPENING
39 13/16" TO FINISHED FLOOR

DOUBLE DOOR OPENING
WITH VON DUPRIN MULLION
39 11/16" (2)

SINGLE DOOR APPLICATION		
STRIKE	STOP SIZE	DIM. "A"
299	5/8"	2 7/8"
299	1/2"	2 3/4"

DOUBLE DOOR APPLICATION WITH VON DUPRIN MULLIONS		
MULLION	STRIKE	DIM. "A"
5654	299	2 13/16"
1654	1606	2 13/16"

FOR ADDITIONAL INFORMATION
SEE TEMPLATE NO. 10011 AND 10012

FOR OUTSIDE TRIM PREPARATION, WHEN REQUIRED,
SEE ADDITIONAL TRIM TEMPLATE.

22 EO, DT & NL RIM DEVICES
WITH 220 TRIM FOR TYPE "161"
STOCK HOLLOW METAL APPLICATIONS



NOTE: SEE MASTER SHEET NO. 10001 FOR SUGGESTED REINFORCING

TEMPLATE NUMBER:

10038_2

DATE:
5-12-98