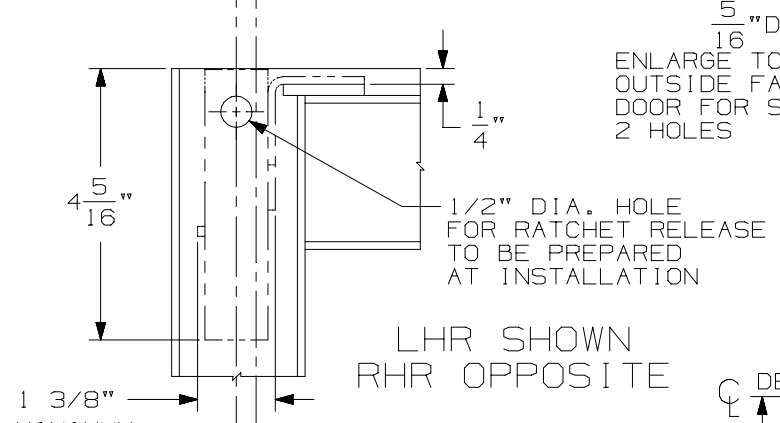


NOTES:

1. 376-T SERIES CONTROL WILL NOT FIT ON THIS INSTALLATION
2. KAWNEER 190 DOORS FOR THIS APPLICATION MUST BE ORDERED SPECIAL FROM KAWNEER.



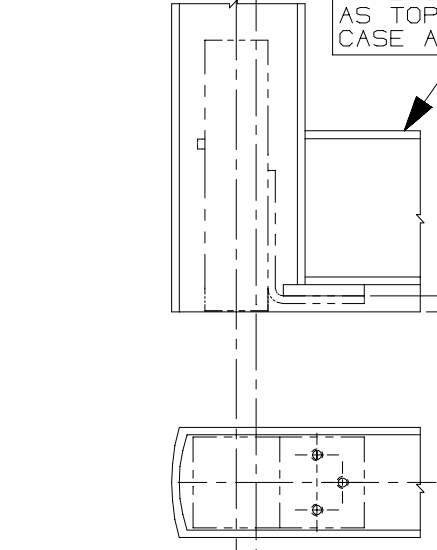
5/16" DIA THRU
ENLARGE TO 13/32" DIA
OUTSIDE FACE OF
DOOR FOR SEX BOLTS
2 HOLES

1/2" DIA. HOLE
FOR RATCHET RELEASE
TO BE PREPARED
AT INSTALLATION

LHR SHOWN
RHR OPPOSITE

BOTTOM LATCH CASE
APPLICATION SAME
AS TOP LATCH
CASE APPLICATION.

MINIMUM
LATCH CASE
WIDTH

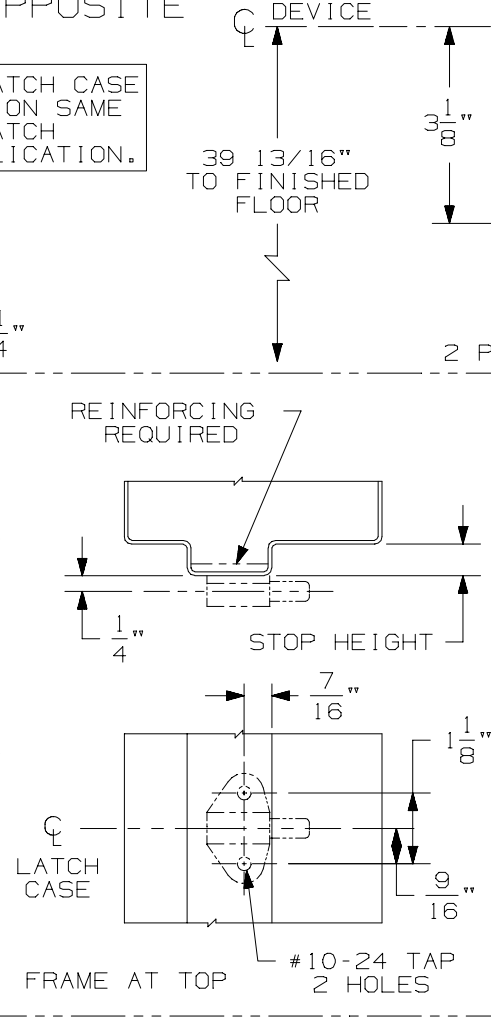


PREP AT BOTTOM SAME AS TOP

*1/4" UNDERCUT REQUIRED
FOR THIS DEVICE.

NOTE: IT IS RECOMMENDED THE
MOUNTING HOLES BE
PREPARED IN THE FIELD.

FOR OUTSIDE TRIM PREPARATION,
WHEN REQUIRED, SEE ADDITIONAL
TRIM TEMPLATE.



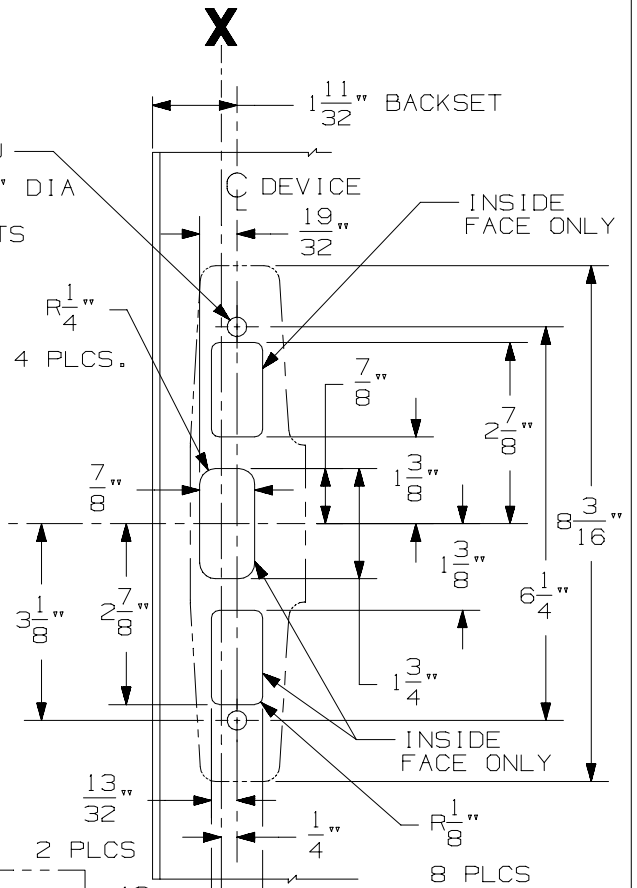
REINFORCING
REQUIRED

STOP HEIGHT

LATCH CASE

FRAME AT TOP

#10-24 TAP
2 HOLES



X

X

GLASS BEAD KIT
AVAILABLE WHEN
REQUIRED.

385-A OR 304-L
STRIKE APPLICATION

THRESHOLD APPLICATION

33/3547A SERIES CONCEALED VERTICAL
ROD DEVICE FOR KAWNEER 190 DOOR



NOTE: SEE MASTER SHEET NO. 10001 FOR SUGGESTED REINFORCING

TEMPLATE
NUMBER: 10055_0

DATE:
06-26-03