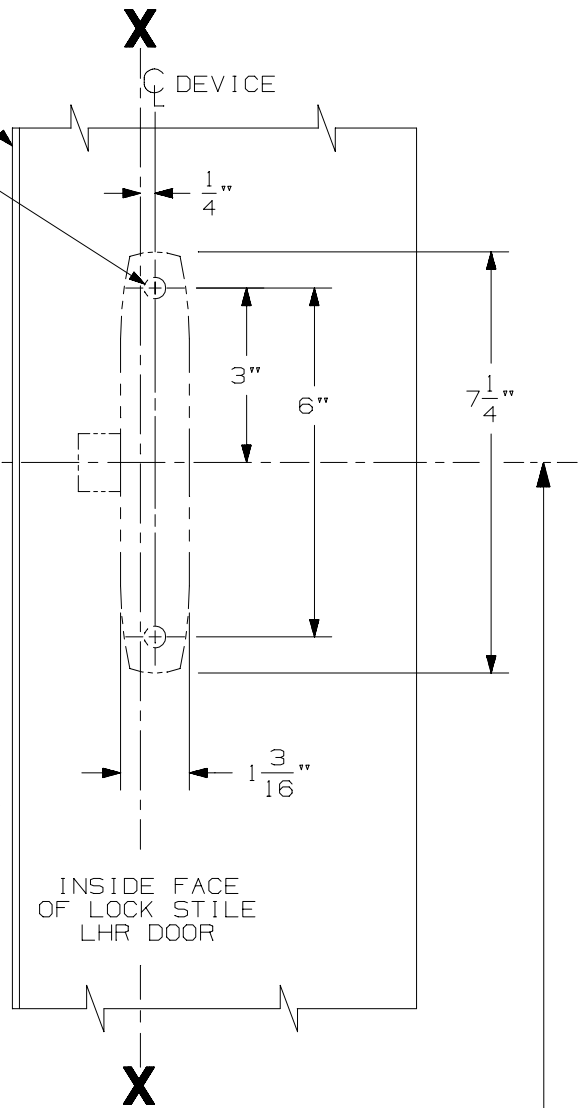


WIDE STILE SHOWN

STD APPLICATION

3/8" DIA. THRU ENLARGE TO 13/32" DIA. OUTSIDE FACE OF DOOR FOR SEX BOLTS  
2 HOLES

#12-24 TAP INSIDE FACE OF DOOR  
2 HOLES



SINGLE DOOR INSTALLATION

STRIKE	DIMENSION "B"	MIN. STILE
299	1 19/32"	2 13/16"
264	1 11/32"	2 9/16"
1606	1 5/32"	2 3/8"
1409 & 1439	25/32"	1 3/4"
1410	25/32"	1 3/4"

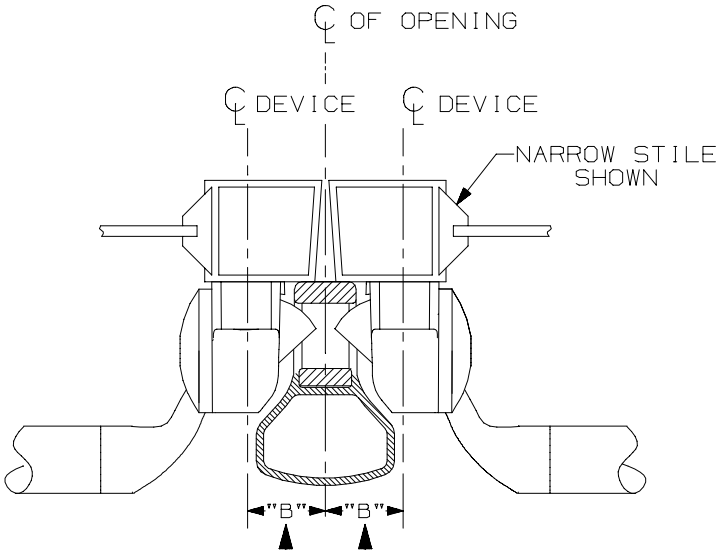
LHR SHOWN  
RHR OPPOSITE

SINGLE DOOR OPENING  
39 13/16" TO FINISHED FLOOR.

DOUBLE DOOR OPENING  
WITH VON DUPRIN MULLION  
39 11/16"

CROSSBAR 36 13/16" FROM FINISHED FLOOR

FOR OUTSIDE TRIM PREPARATION, WHEN REQUIRED, SEE ADDITIONAL TRIM TEMPLATE.



DOUBLE DOOR INSTALLATION WITH VON DUPRIN MULLIONS

MULLION	STRIKE	DIMENSION "B"	MIN. STILE
5654	299	2 5/32"	2 3/4"
5654	264	1 29/32"	2 1/2"
4954	299	2 19/32"	3 3/16"
4954	264	2 11/32"	2 15/16"
1654	1606	2 5/32"	2 3/4"
5554	1408	1 9/32"	1 3/4"

55E0 & 55DT SERIES RIM DEVICES



NOTE: SEE MASTER SHEET NO. 10001 FOR SUGGESTED REINFORCING

TEMPLATE NUMBER: 10061\_7

DATE: 07-14-03