

STD APPLICATION
 3/8" DIA. THRU ENLARGE TO 13/32" DIA. OUTSIDE FACE OF DOOR FOR SEX BOLTS 2 HOLES
 243 & E 243 TRIM
 #12-24 TAP INSIDE FACE OF DOOR 2 HOLES

SINGLE DOOR INSTALLATION

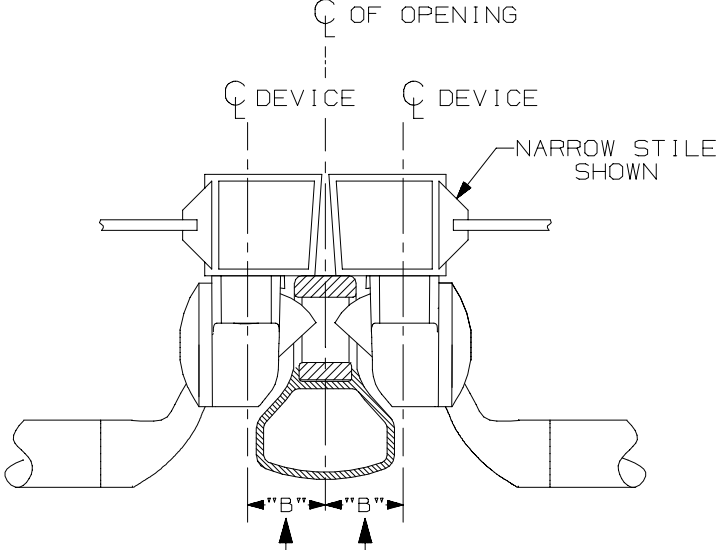
STRIKE	DIMENSION "B"	MIN. STILE
299	1 19/32"	2 13/16"
264	1 11/32"	2 9/16"
1606	1 5/32"	2 3/8"
1409 & 1439	25/32"	1 3/4"
1410	25/32"	1 3/4"

LHR SHOWN
 RHR OPPOSITE

SINGLE DOOR OPENING
 39 13/16" TO FINISHED FLOOR.

DOUBLE DOOR OPENING
 WITH VON DUPRIN MULLION
 39 11/16"

CROSSBAR 36 13/16" FROM FINISHED FLOOR



DOUBLE DOOR INSTALLATION WITH VON DUPRIN MULLIONS

MULLION	STRIKE	DIMENSION "B"	MIN. STILE
5654	299	2 5/32"	2 3/4"
5654	264	1 29/32"	2 1/2"
4954	299	2 19/32"	3 3/16"
4954	264	2 11/32"	2 15/16"
1654	1606	2 5/32"	2 3/4"
5554	1408	1 9/32"	1 3/4"

FOR OUTSIDE TRIM PREPARATION, WHEN REQUIRED, SEE ADDITIONAL TRIM TEMPLATE.

55NL SERIES RIM DEVICES



NOTE: SEE MASTER SHEET NO. 10001 FOR SUGGESTED REINFORCING

TEMPLATE NUMBER: 10062_7

DATE: 07-14-03