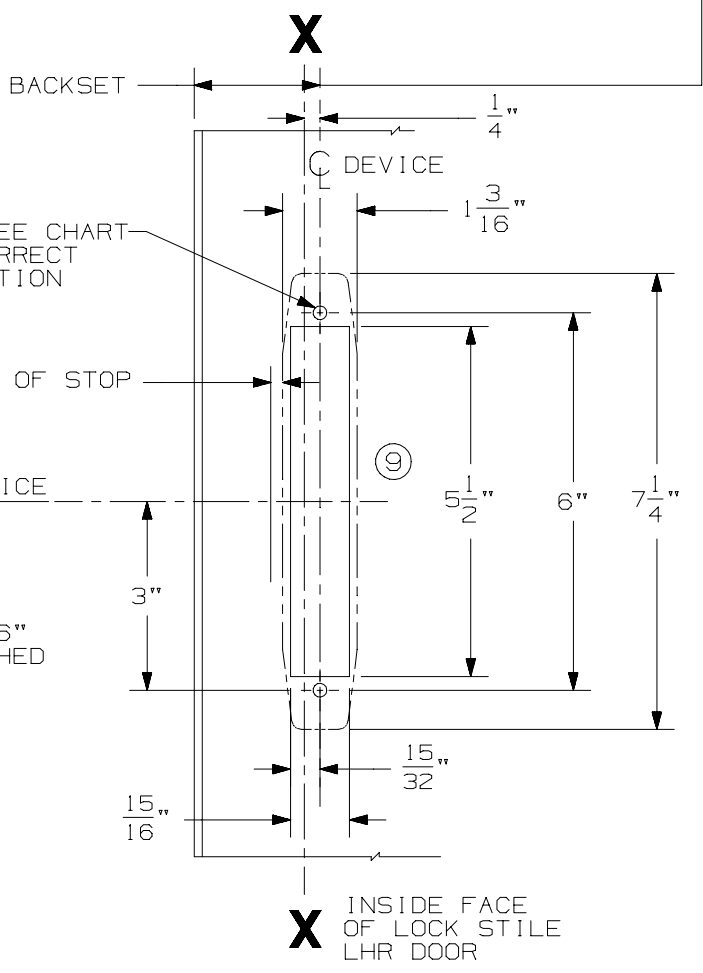


LHR SHOWN  
RHR OPPOSITE

FOR OUTSIDE TRIM PREPARATION,  
WHEN REQUIRED, SEE ADDITIONAL  
TRIM TEMPLATE.

DEVICE INSTALLATION SCHEDULE	
INSTALLATION	BACKSET
MIN. 1 3/4" TO 2 1/2" DOOR STILE	SINGLE DOOR 1 9/32" DOUBLE DOOR 1 5/32"
FLUSH HOLLOW METAL DOOR	2 1/2"
STILES WIDER THAN 2 1/2"	1/2 OF STILE

NOTE: STOP THICKNESS OF 1/2 MAX. REQ'D



"A" OR "B" = SEE CHART  
BELOW FOR CORRECT  
HOLE PREPARATION

3/16" TO EDGE OF STOP

39 13/16"  
TO FINISHED  
FLOOR

INSIDE FACE  
OF LOCK STILE  
LHR DOOR

**IMPORTANT**

CHECK DOOR SECTION THICKNESS FOR CORRECT DEVICE MOUNTING APPLICATION	
"A" = 7/32 DIA FOR DOORS WITH 1/8 OR LESS WALL THICKNESS 2 HOLES	"B" = 1/4-28 TAP FOR DOORS WITH 5/32 TO 3/16 WALL THICKNESS 2 HOLES

NOTE: 471 STRIKE FOR METAL FRAME  
SEE TEMPLATE NO. 30013

472U AND 473U STRIKES FOR WOOD  
FRAMES

ALUMINUM FRAME PREPARATION SEE  
TEMPLATE NO. 30014

5547EO, 5547DT, 5547NL & 5547TL  
SERIES VERTICAL ROD DEVICES



NOTE: SEE MASTER SHEET NO. 10001 FOR SUGGESTED REINFORCING

TEMPLATE  
NUMBER: 10066\_9

DATE:  
07-30-02