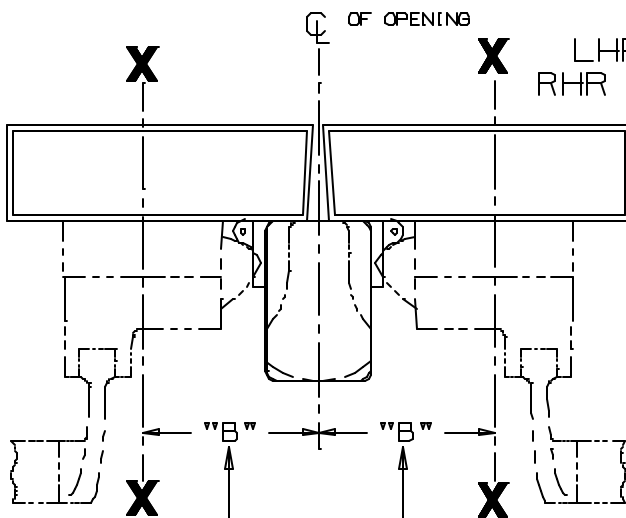
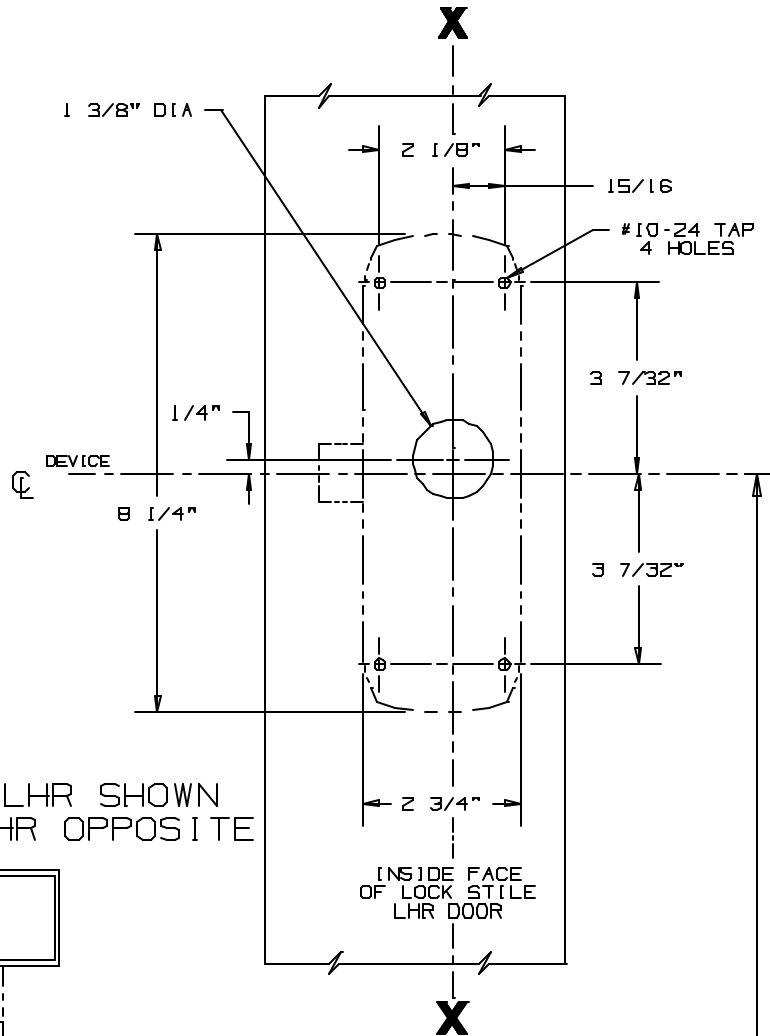
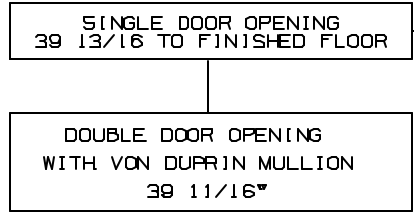


| SINGLE DOOR INSTALLATION | | |
|--------------------------|---------------|------------|
| STRIKE | DIMENSION "B" | MIN. STILE |
| 299 | 2 1/2" | 4 3/8" |
| 264 | 2 1/4" | 4 1/8" |
| 1606 | 2 1/16" | 3 15/16" |



| DOUBLE DOOR INSTALLATION WITH VON DUPRIN MULLIONS | | | |
|---------------------------------------------------|--------|---------------|------------|
| MULLION | STRIKE | DIMENSION "B" | MIN. STILE |
| 5654 | 299 | 3 1/16" | 4 1/4" |
| 5654 | 264 | 2 13/16" | 4" |
| 4954 | 299 | 3 1/2" | 4 11/16" |
| 4954 | 264 | 3 1/4" | 4 7/16" |
| 1654 | 1606 | 3 1/16" | 4 1/4" |



FOR OUTSIDE TRIM PREPARATION, SEE ADDITIONAL TRIM TEMPLATE.

CROSSBAR 36 13/16" FROM FINISHED FLOOR

88 NL RIM DEVICES (4)



NOTE: SEE MASTER SHEET NO. 10001 FOR SUGGESTED REINFORCING

TEMPLATE NUMBER:

10156_4

DATE:

5/5/98