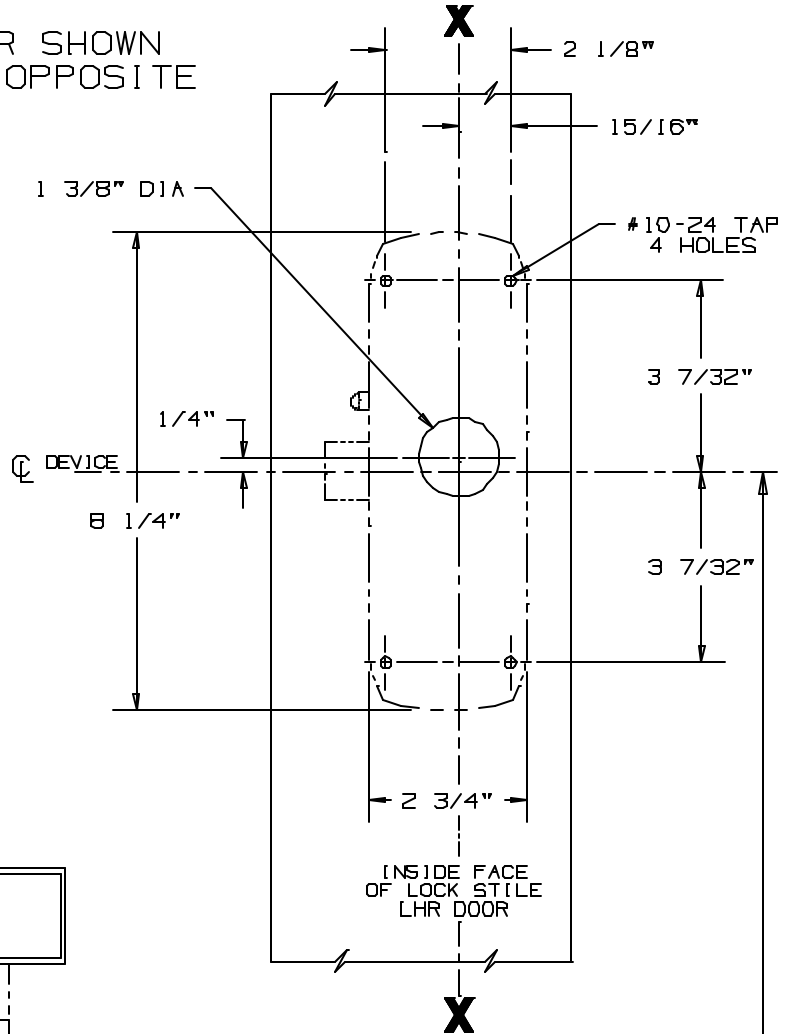


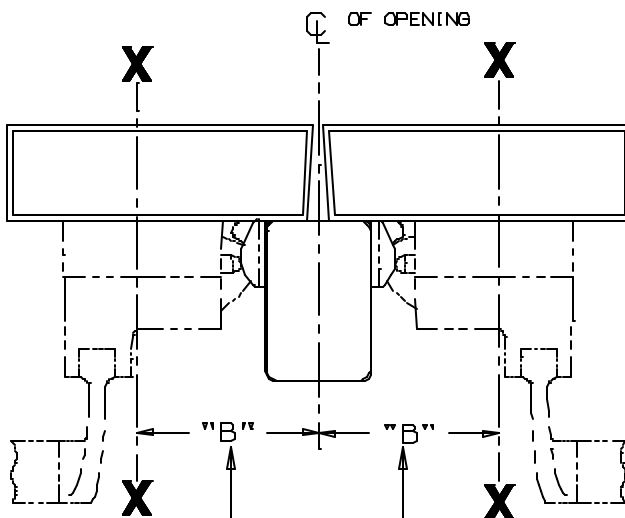
LHR SHOWN  
RHR OPPOSITE

SINGLE DOOR INSTALLATION		
STRIKE	DIMENSION "B"	MIN. STILE
268	2 1/2"	4 3/8"



SINGLE DOOR FINISHED OPENING  
39 13/16" TO FINISHED FLOOR

DOUBLE DOOR OPENING  
WITH VON DUPRIN MULLION  
39 11/16" (3)



DOUBLE DOOR INSTALLATION WITH VON DUPRIN MULLIONS			
MULLION	STRIKE	DIMENSION "B"	MIN. STILE
8954	268	3 1/2"	4 11/16"

CROSSBAR 36 13/16" FROM FINISHED FLOOR

FOR OUTSIDE TRIM PREPARATION,  
SEE ADDITIONAL TRIM TEMPLATE.

88NL-F RIM DEVICE (3)



NOTE: SEE MASTER SHEET NO. 10001 FOR SUGGESTED REINFORCING

TEMPLATE NUMBER:

10170\_3

DATE: 5/8/98 (3)