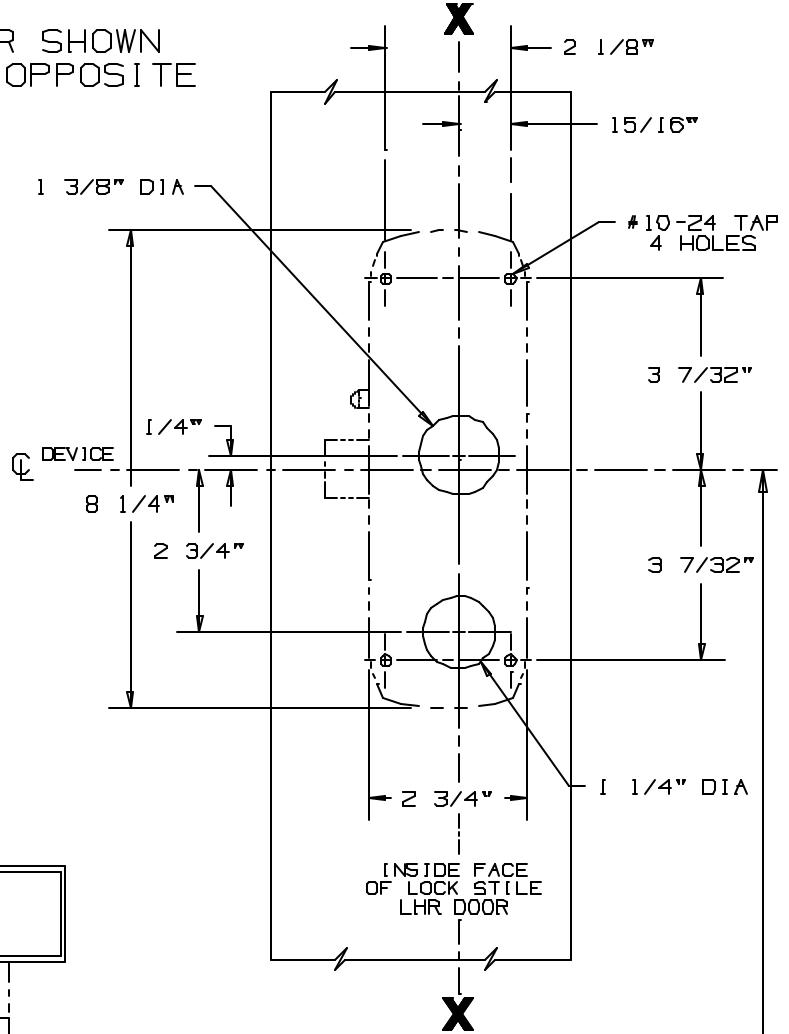


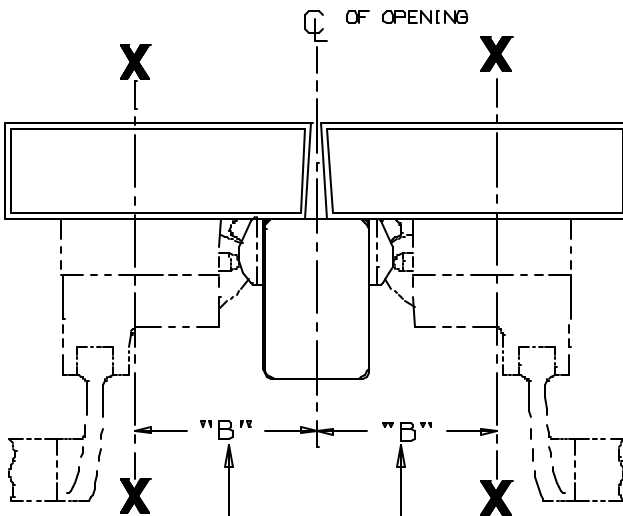
SINGLE DOOR INSTALLATION		
STRIKE	DIMENSION "B"	MIN. STILE
268	2 1/2"	4 3/8"

LHR SHOWN
RHR OPPOSITE



SINGLE DOOR FINISHED OPENING
39 13/16" TO FINISHED FLOOR

DOUBLE DOOR OPENING
WITH VON DUPRIN MULLION
39 11/16" (3)



DOUBLE DOOR INSTALLATION WITH VON DUPRIN MULLIONS			
MULLION	STRIKE	DIMENSION "B"	MIN. STILE
8954	268	3 1/2"	4 11/16"

FOR OUTSIDE TRIM PREPARATION,
SEE ADDITIONAL TRIM TEMPLATE.

CROSSBAR 36 13/16" FROM FINISHED FLOOR

88TP-F RIM DEVICE (3)



NOTE: SEE MASTER SHEET NO. 10001 FOR SUGGESTED REINFORCING

TEMPLATE NUMBER:

10171_3

DATE: 5/8/98