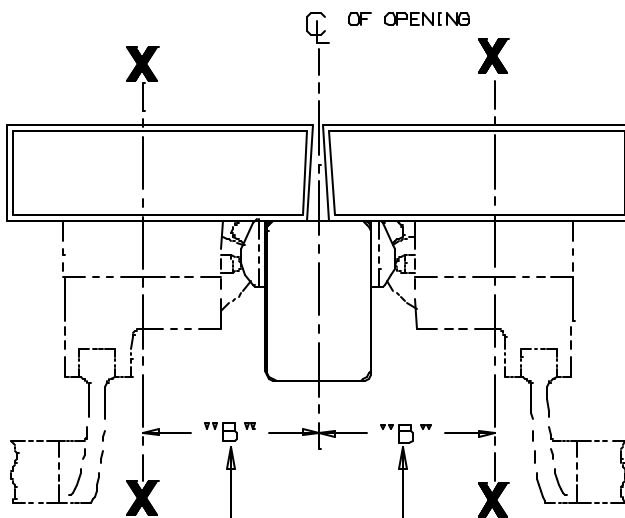
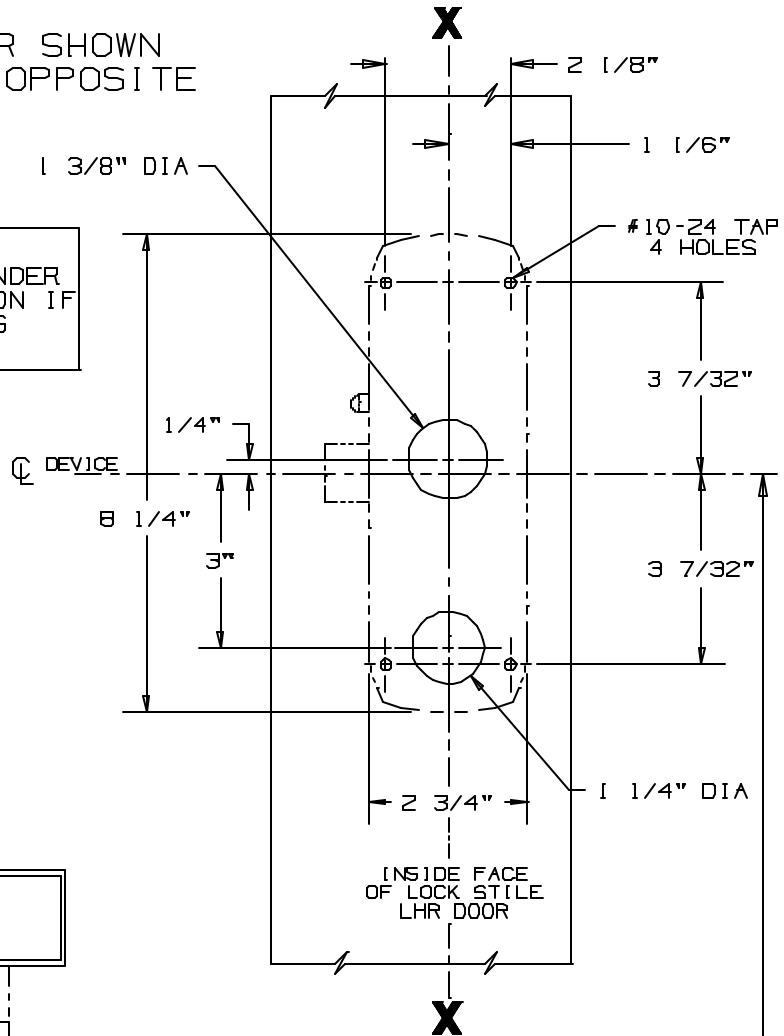


LHR SHOWN
RHR OPPOSITE

NOTE:
OMIT CYLINDER
PREPARATION IF
CONTROL IS
SPECIFIED

SINGLE DOOR INSTALLATION		
STRIKE	DIMENSION "B"	MIN. STILE
268	2 3/8"	4 3/8"



DOUBLE DOOR INSTALLATION WITH VON DUPRIN MULLIONS			
MULLION	STRIKE	DIMENSION "B"	MIN. STILE
8954	268	3 3/8"	4 11/16"

SINGLE DOOR FINISHED OPENING
39 13/16" TO FINISHED FLOOR

DOUBLE DOOR OPENING
WITH VON DUPRIN MULLION
39 11/16" (5)

FOR OUTSIDE TRIM PREPARATION,
SEE ADDITIONAL TRIM TEMPLATE.

CROSSBAR 36 13/16" FROM FINISHED FLOOR

88L-F RIM DEVICE (5)



NOTE: SEE MASTER SHEET NO. 10001 FOR SUGGESTED REINFORCING

TEMPLATE NUMBER:

10172_5

DATE: 5/8/98 (5)