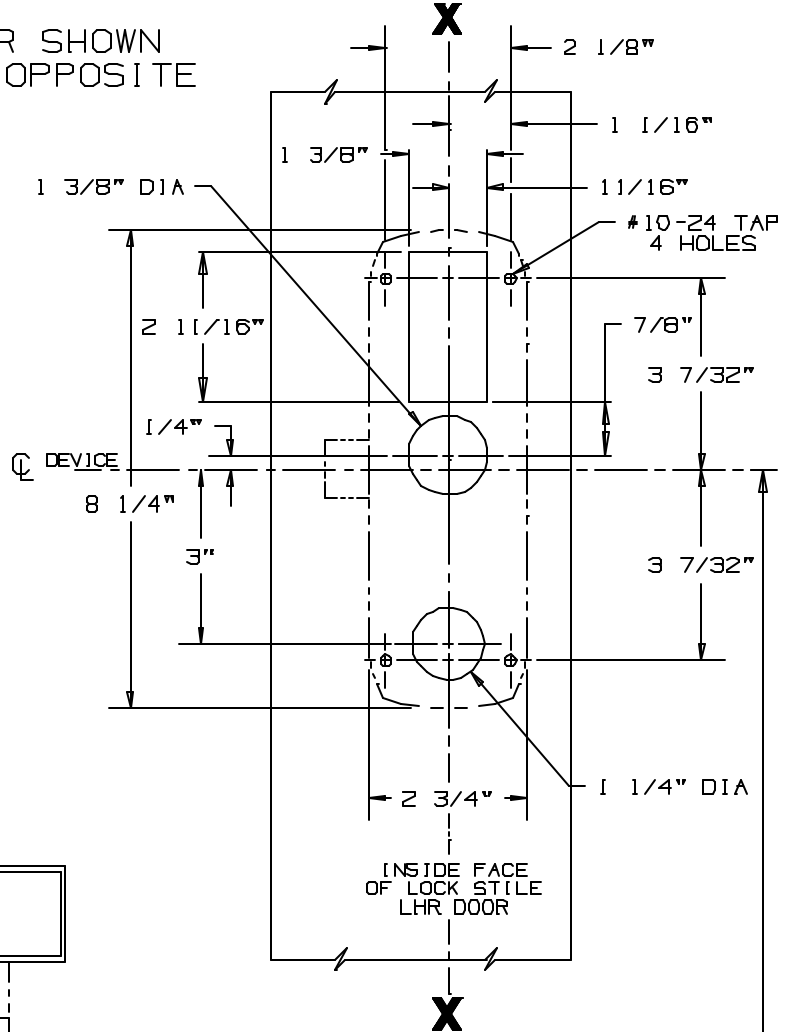


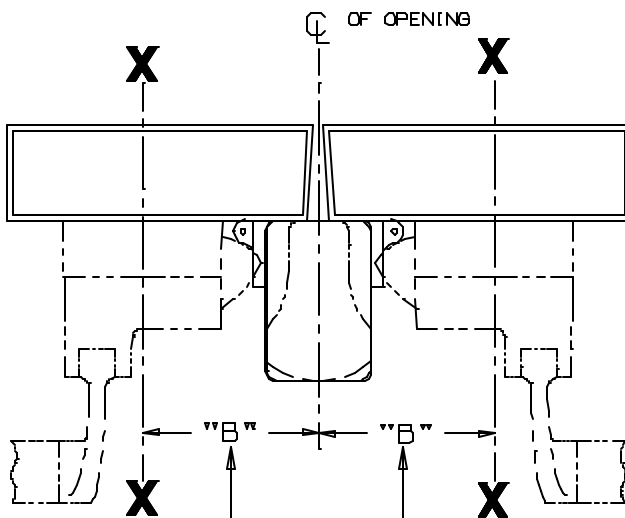
LHR SHOWN
RHR OPPOSITE



SINGLE DOOR INSTALLATION		
STRIKE	DIMENSION "B"	MIN. STILE
299	2 3/8"	4 3/8"
264	2 1/8"	4 1/8"
1606	1 15/16"	3 15/16"

SINGLE DOOR OPENING
39 13/16" TO FINISHED FLOOR

DOUBLE DOOR OPENING
WITH VON DUPRIN MULLION
39 11/16" (3)



DOUBLE DOOR INSTALLATION WITH VON DUPRIN MULLIONS			
MULLION	STRIKE	DIMENSION "B"	MIN. STILE
5654	299	2 15/16"	4 1/4"
5654	264	2 11/16"	4"
4954	299	3 3/8"	4 11/16"
4954	264	3 1/8"	4 7/16"
1654	1606	2 15/16"	4 1/4"

NOTE: WIRING GOES THROUGH DOOR AND NOT DEVICE

CROSSBAR 36 13/16" FROM FINISHED FLOOR

FOR OUTSIDE TRIM PREPARATION,
SEE ADDITIONAL TRIM TEMPLATE.

E-88K, E-88K (F.S.) SERIES
ELECTRIC LOCKING RIM DEVICE



NOTE: SEE MASTER SHEET NO. 10001 FOR SUGGESTED REINFORCING

TEMPLATE
NUMBER:

10184_3

DATE:
5/7/98