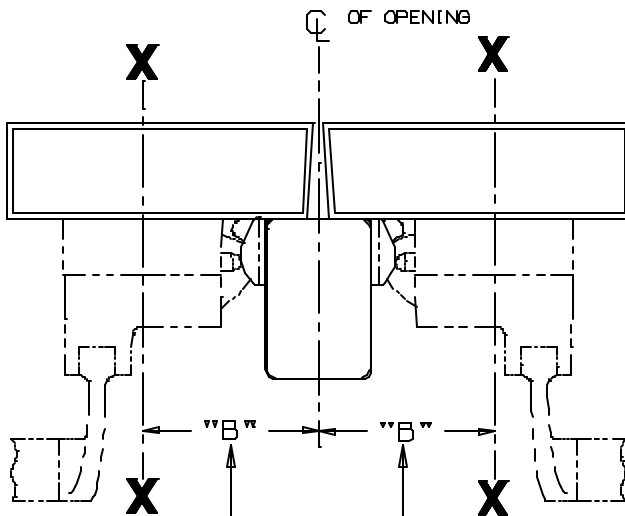
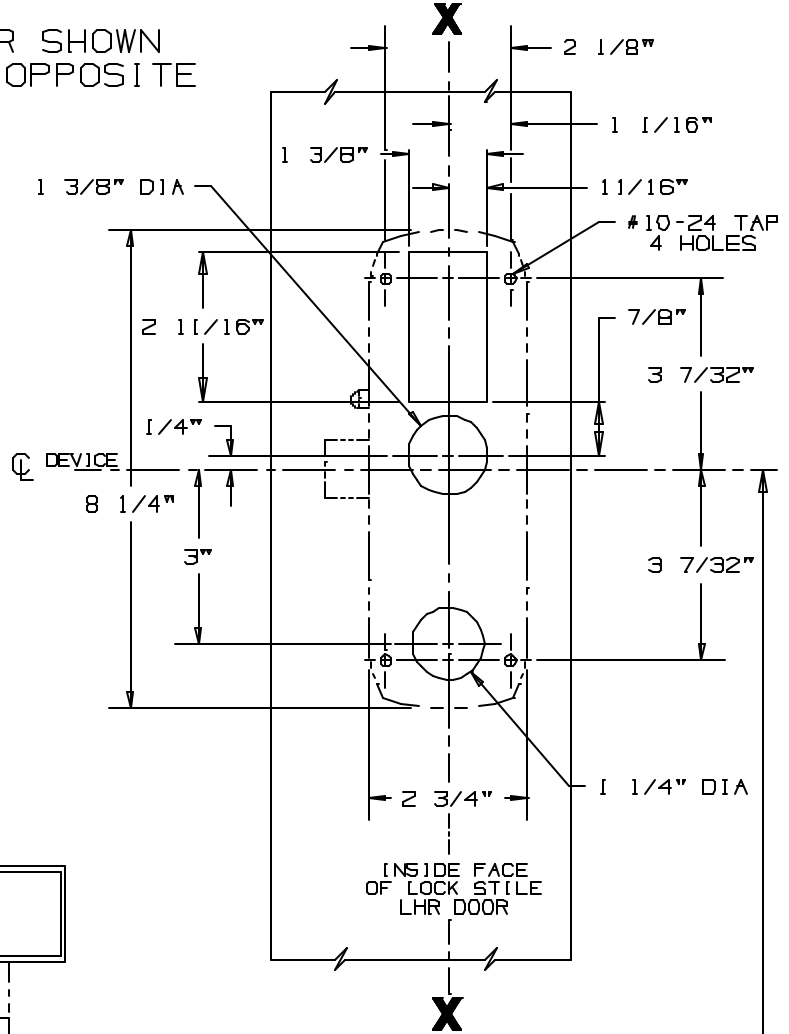


SINGLE DOOR INSTALLATION		
STRIKE	DIMENSION "B"	MIN. STILE
268	2 3/8"	4 3/8"

LHR SHOWN  
RHR OPPOSITE



DOUBLE DOOR INSTALLATION WITH VON DUPRIN MULLIONS			
MULLION	STRIKE	DIMENSION "B"	MIN. STILE
8954	268	3 3/8"	4 11/16"

SINGLE DOOR OPENING  
39 13/16" TO FINISHED FLOOR

DOUBLE DOOR OPENING  
WITH VON DUPRIN MULLION  
39 11/16" (3)

NOTE: WIRING GOES THROUGH DOOR AND NOT DEVICE

CROSSBAR 36 13/16" FROM FINISHED FLOOR

FOR OUTSIDE TRIM PREPARATION,  
SEE ADDITIONAL TRIM TEMPLATE.

E-88K-F & E-88K-F (F.S.) SERIES  
ELECTRIC LOCKING RIM DEVICE



NOTE: SEE MASTER SHEET NO. 10001 FOR SUGGESTED REINFORCING

TEMPLATE  
NUMBER:

10186\_3

DATE:  
5/8/98