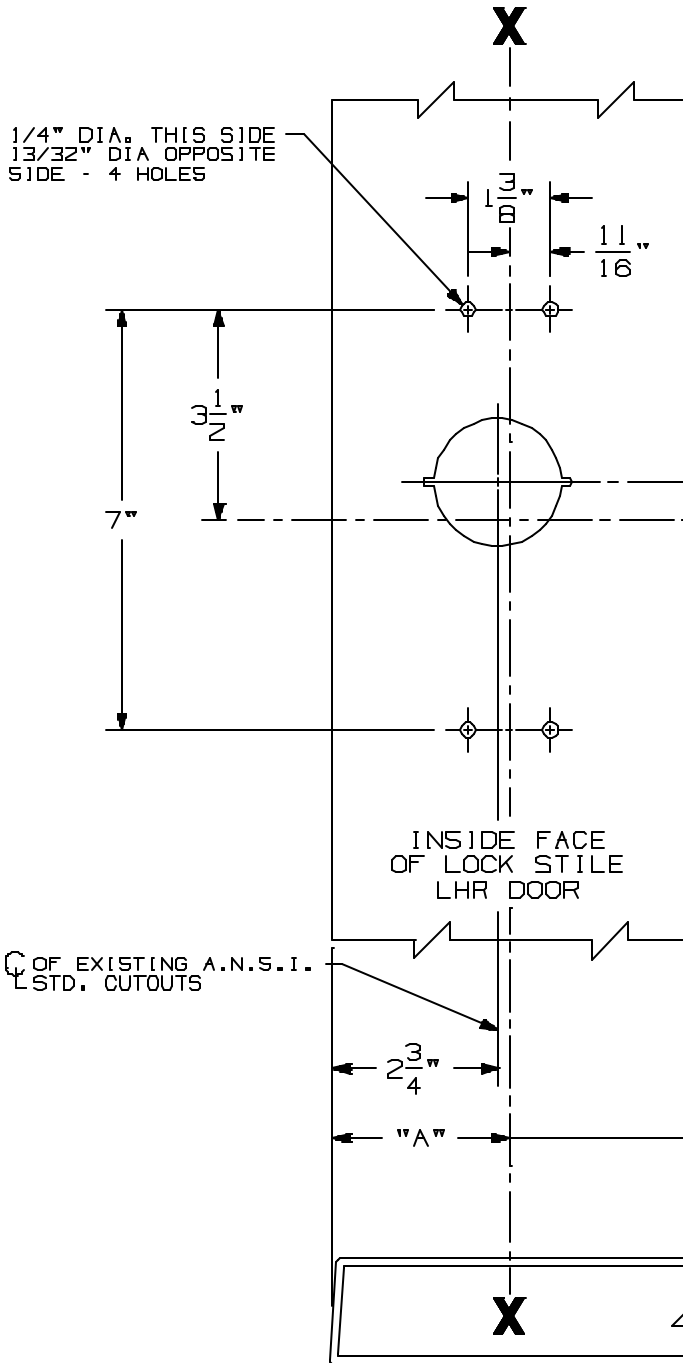


TYPE 161 STOCK HOLLOW METAL DOOR

A.N.S.I. CUTOUTS ARE SHOWN FOR REFERENCE ONLY. SEE A.N.S.I. SPECIFICATION NO. A115 FOR THE SIZE AND LOCATION OF THESE CUTOUTS.

LHR SHOWN
RHR OPPOSITE

1/4" DIA. THIS SIDE
13/32" DIA OPPOSITE
SIDE - 4 HOLES



A.N.S.I.
CUTOUTS

C DEVICE

SINGLE DOOR OPENING
39 13/16" TO FINISHED FLOOR

DOUBLE DOOR OPENING
WITH VON DUPRIN MULLION
39 11/16"

C OF EXISTING A.N.S.I.
STD. CUTOUTS

2 3/4"

"A"

SINGLE DOOR APPLICATION		
STRIKE	STOP SIZE	DIM. "A"
299	5/8"	2 15/16"
299	1/2"	2 13/16"

DOUBLE DOOR APPLICATION WITH VON DUPRIN MULLIONS		
MULLION	STRIKE	DIM. "A"
5654	299	2 7/8"
1654	1606	2 7/8"

(4)

FOR ADDITIONAL INFORMATION
SEE TEMPLATE NO. 10300 AND 10301

FOR OUTSIDE TRIM PREPARATION, WHEN REQUIRED,
SEE ADDITIONAL TRIM TEMPLATE.

98/99 EO, DT, NL RIM DEVICES
WITH 890, 991/992DT & RIGID TRIM FOR TYPE "161"
STOCK HOLLOW METAL APPLICATIONS



NOTE:

TEMPLATE NUMBER: 10307_4

DATE: 3-9-99