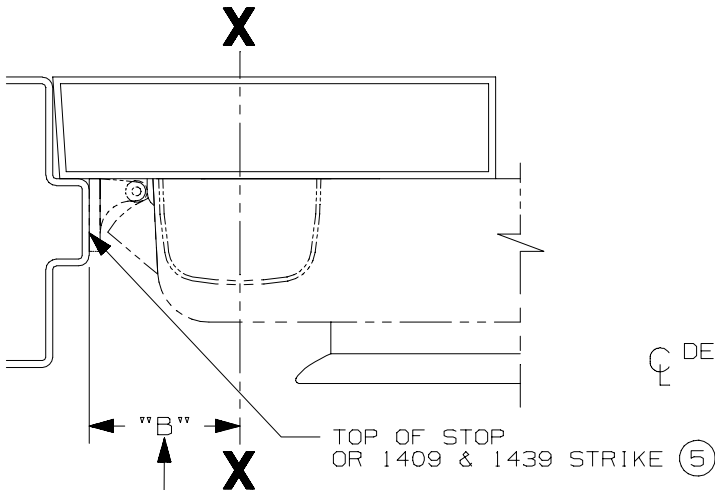
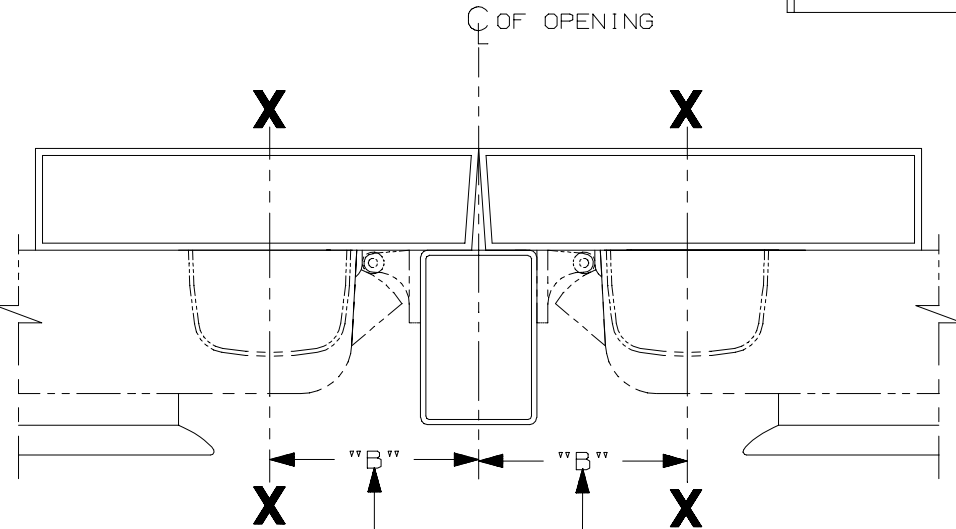
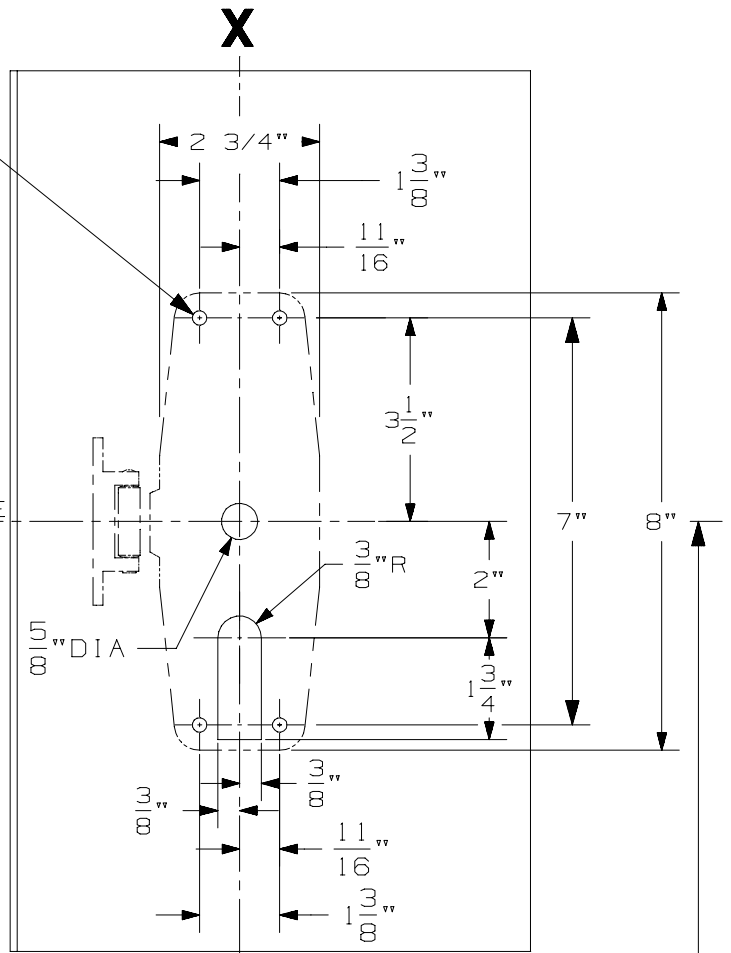


APPLICATION	PREPARATION
SURFACE APPLICATION	#10-24 TAP 4 PLACES
990 TRIM APPLICATION OR SEX BOLT APPLICATION (SEE NOTE 1)	1/4" DIA THIS SIDE 13/32" DIA OPPOSITE SIDE - 4 PLACES



SINGLE DOOR INSTALLATION			
STRIKE	DIM. "B"	MIN. STILE 990/991/992 TRIM	MIN. STILE 696/697 TRIM
299 & 299-F	2 3/8"	4 1/2"	4 3/8"
1409 & 1439	1 9/16"	3 13/16"	3 13/16"
1606	1 15/16"	4 1/16"	3 15/16"



SINGLE DOOR OPENING  
39 13/16" TO FINISHED FLOOR

DOUBLE DOOR OPENING  
WITH VON DUPRIN MULLION  
39 11/16"

LHR APPLICATION SHOWN,  
RHR APPLICATION OPPOSITE

DOUBLE DOOR INSTALLATION WITH VON DUPRIN MULLIONS				
MULLION	STRIKE	DIM. "B"	MIN. STILE 990/991/992 TRIM	MIN. STILE 696/697 TRIM
4954/9954	299/299-F	3 3/8"	4 7/8"	4 3/4"
9954	499-F	3 1/2"	5"	4 7/8"
5654	299	2 15/16"	4 3/8"	4 1/4"
5754	1408	2 1/8"	3 13/16"	3 13/16"
1654	1606	2 15/16"	4 3/8"	4 1/4"

NOTES:

- THESE FOUR HOLES TO BE PREPARED FOR SURFACE APPLICATION WHEN USING 696/697 TRIM. DO NOT PREPARE FOR SEX BOLTS.
- FOR STOCK HOLLOW METAL DOORS SEE TEMPLATE NO. 10309 FOR TYPE "161" CUTOUT AND 10315 FOR TYPE "86" CUTOUT.
- GLASS BEAD KIT AVAILABLE WHEN REQUIRED.
- FOR OUTSIDE TRIM PREPARATION, WHEN REQUIRED, SEE TRIM TEMPLATE.
- 9954 W/299-F FOR HURRICANE APPLICATIONS ONLY. (5)

CX98/CX99 TP, K & L SERIES RIM DEVICE



NOTE: SEE MASTER SHEET NO. 10001 FOR SUGGESTED REINFORCING

TEMPLATE  
NUMBER:

10355\_5

DATE:  
07-14-03