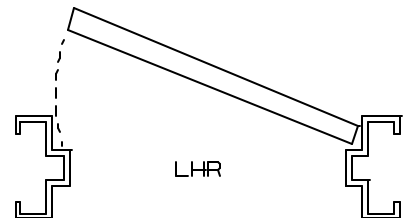
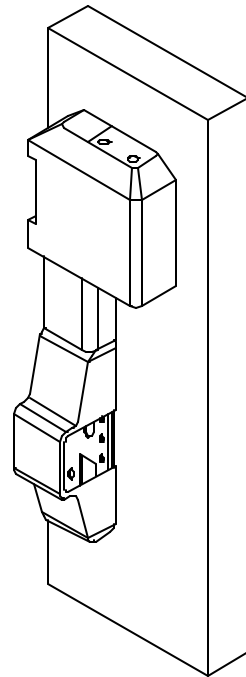
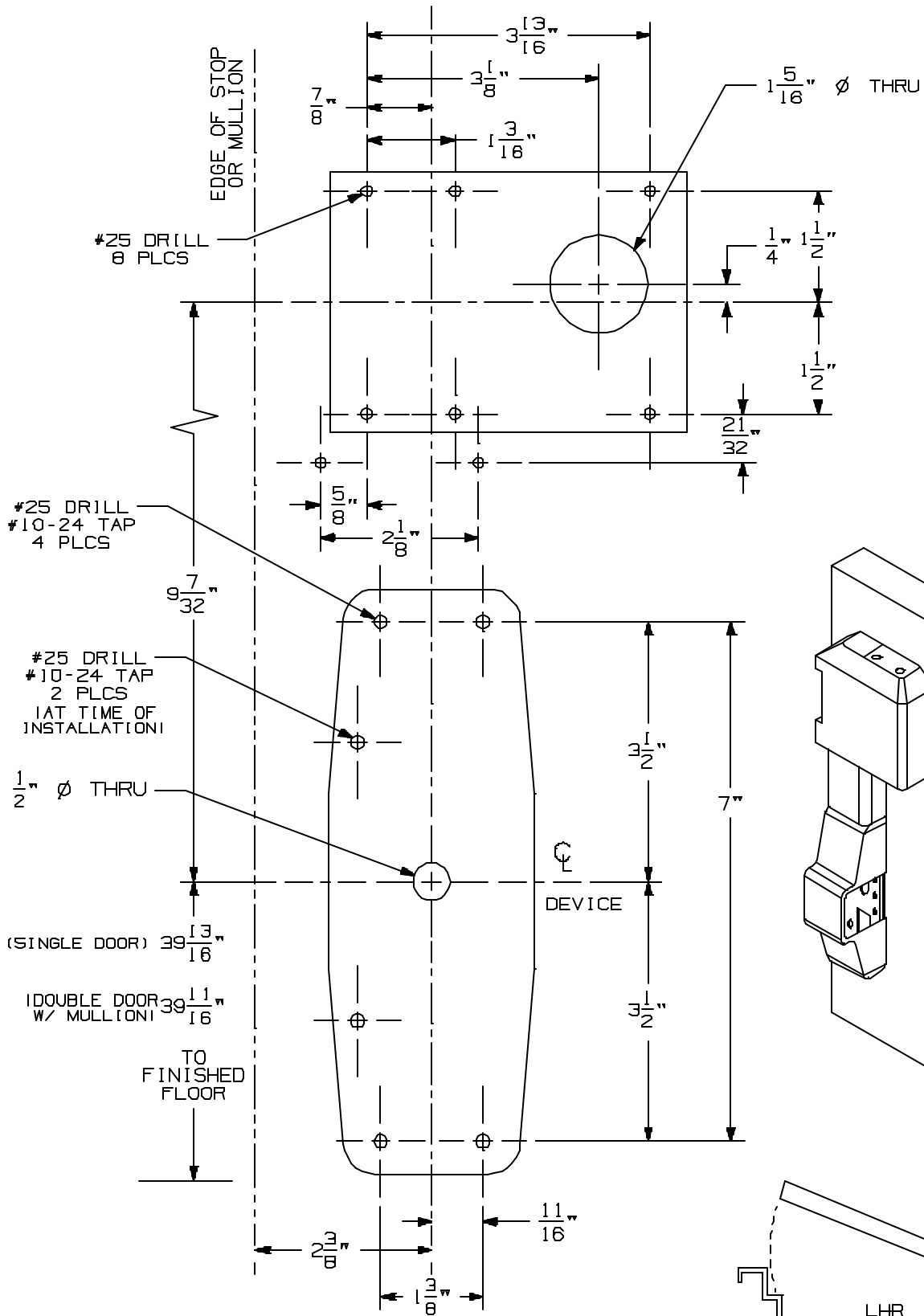


DEVICE



LHR SHOWN, RHR OPPOSITE.

98/99H5NL, 98/99H5NL-F,
98/99ELHSNL, & 98/99ELHSNL-F SERIES DEVICE
FOR SIMPLEX LP1000
METAL DOOR APPLICATION

IR VON DUPRIN. ③

NOTE: SEE MASTER SHEET NO. 10001 FOR SUGGESTED REINFORCING.

TEMPLATE NUMBER: 10367_3

DATE: 5-27-98