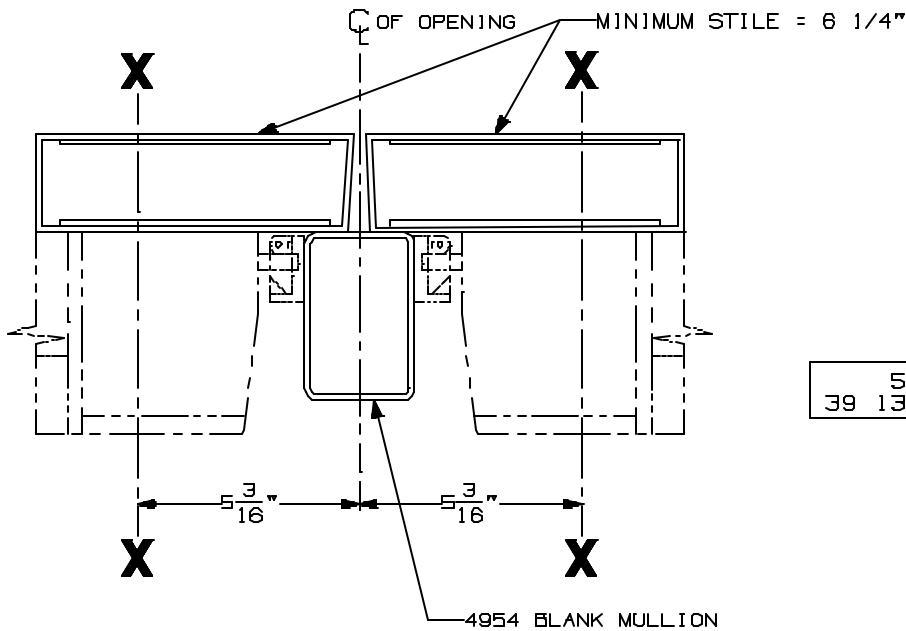
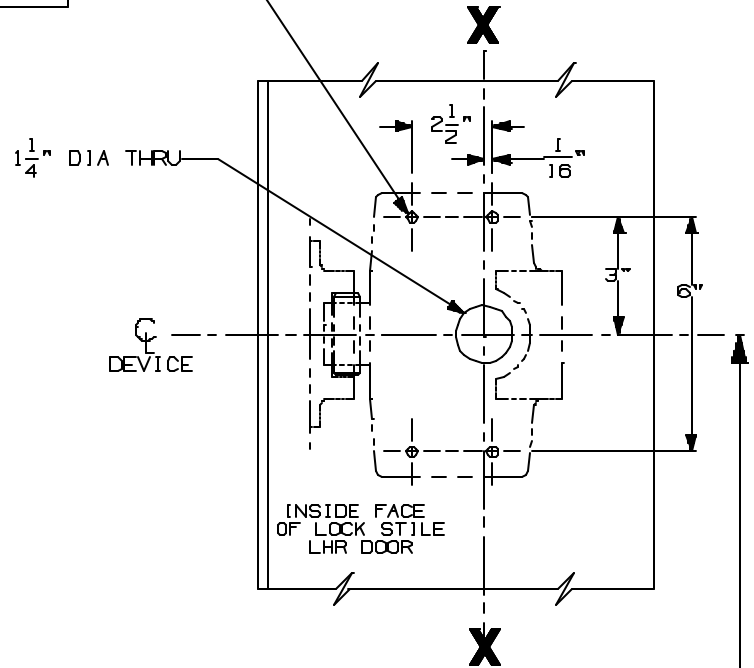
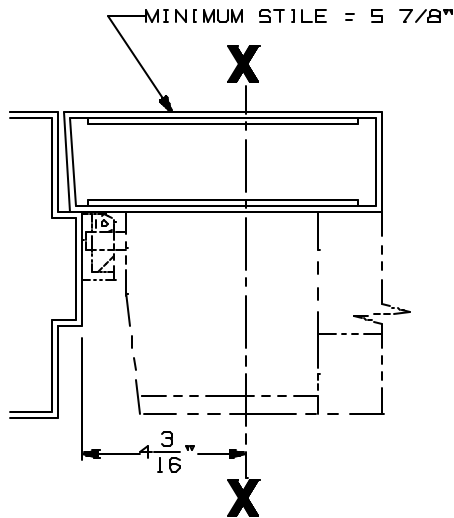


APPLICATION	PREPARATION
SURFACE APPLICATION	1/4-20 TAP 4 PLACES
SEXBOLT APPLICATION	1/4" DIA THIS SIDE-13/32" DIA OPPOSITE SIDE 4 PLACES



LHR SHOWN
RHR OPPOSITE

SINGLE DOOR OPENING
39 13/16" TO FINISHED FLOOR

IT IS RECOMMENDED THE
MOUNTING HOLES BE
PREPARED IN THE FIELD

2670NL EXIT ALARM LOCK

VON DUPRIN.

NOTE: SEE MASTER SHEET NO. 10001 FOR SUGGESTED REINFORCING

TEMPLATE
NUMBER:

10513_0

DATE:
08-17-99