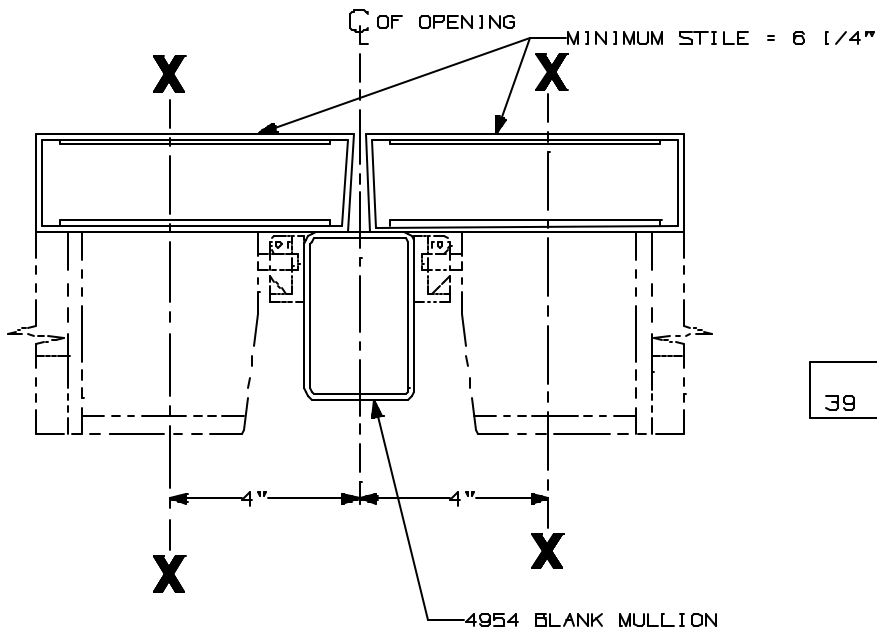
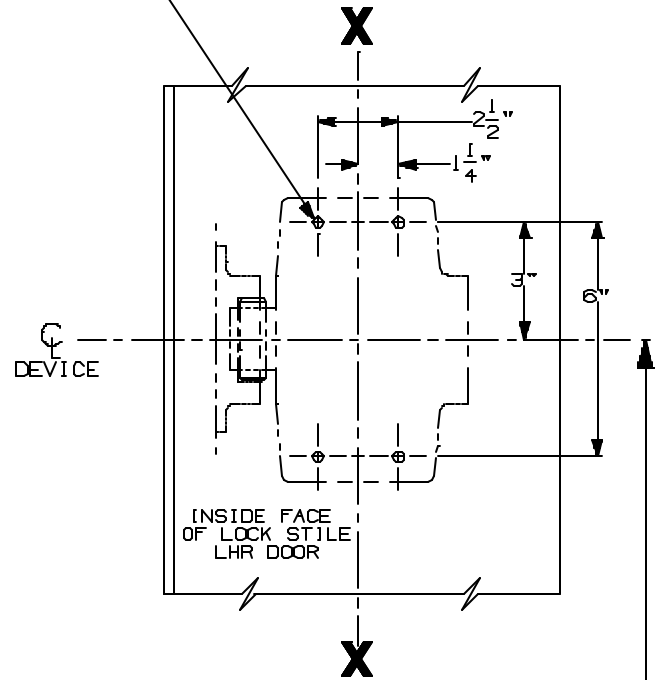
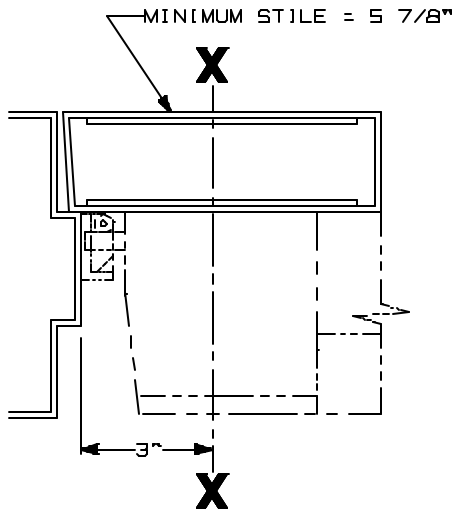


APPLICATION	PREPARATION
SURFACE APPLICATION	1/4-20 TAP 4 PLACES
SEXBOLT APPLICATION	1/4" DIA THIS SIDE-13/32" DIA OPPOSITE SIDE 4 PLACES



LHR SHOWN  
RHR OPPOSITE

SINGLE DOOR OPENING  
39 13/16" TO FINISHED FLOOR

IT IS RECOMMENDED THE  
MOUNTING HOLES BE  
PREPARED IN THE FIELD

2670E0/DT EXIT ALARM LOCK

**VON DUPRIN.**

NOTE: SEE MASTER SHEET NO. 10001 FOR SUGGESTED REINFORCING

TEMPLATE  
NUMBER:

10514\_0

DATE:  
08-17-99