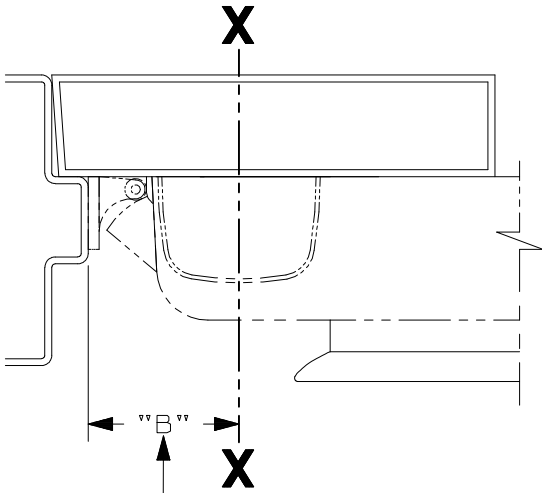
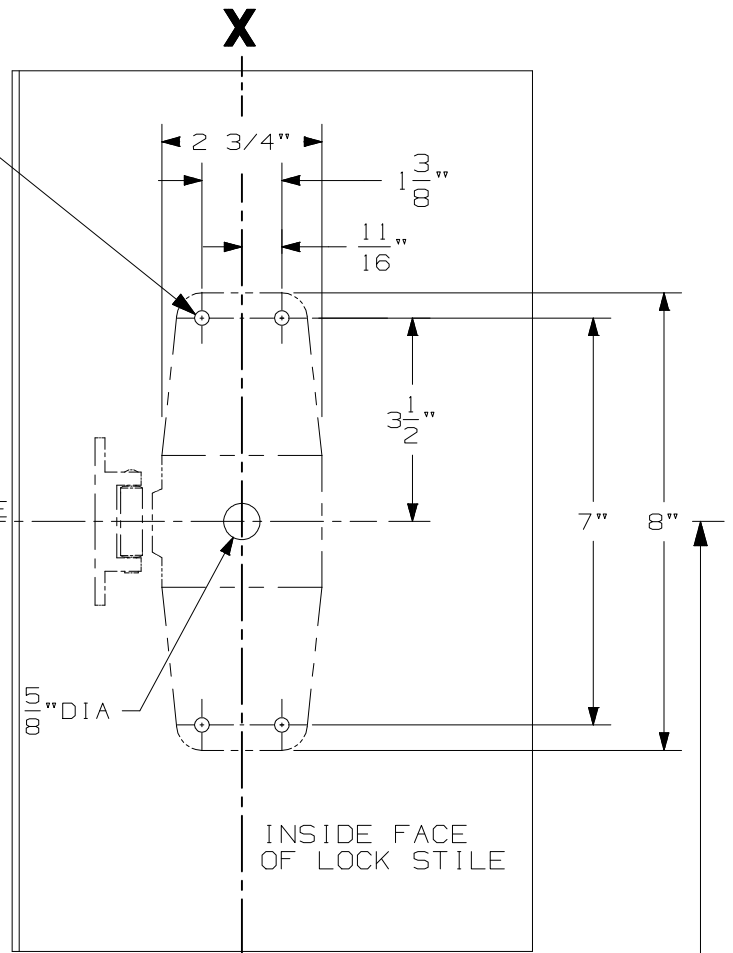


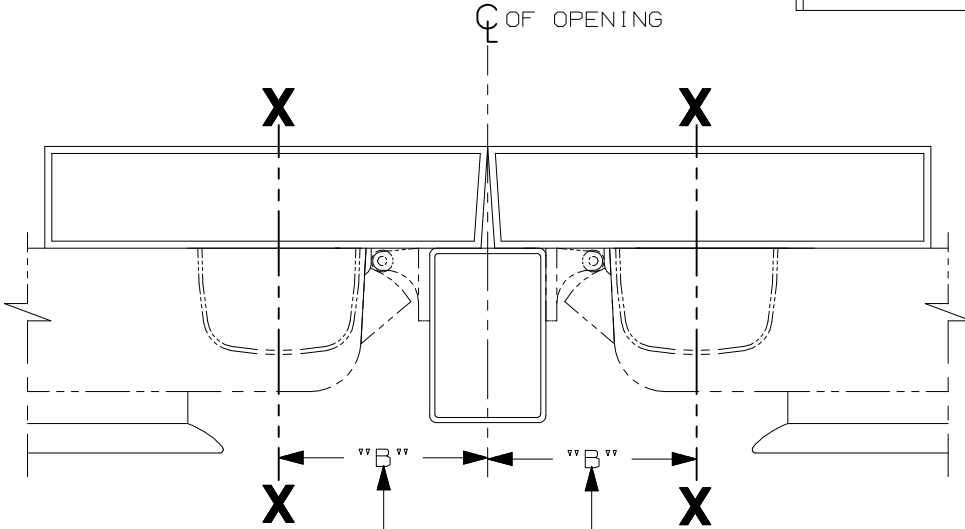
APPLICATION	PREPARATION
SURFACE APPLICATION	#10-24 TAP 4 PLACES
990 TRIM APPLICATION OR SEX BOLT APPLICATION (SEE NOTE 1)	1/4" DIA THIS SIDE 13/32" DIA OPPOSITE SIDE - 4 PLACES



SINGLE DOOR INSTALLATION			
STRIKE	DIM. "B"	MIN. STILE 990/991/992 TRIM	MIN. STILE 696/697 TRIM
909	2 3/8"	4 1/2"	4 3/8"



C OF OPENING



SINGLE DOOR OPENING  
39 13/16" TO FINISHED FLOOR

DOUBLE DOOR OPENING  
WITH VON DUPRIN MULLION  
39 11/16"

LHR APPLICATION SHOWN,  
RHR APPLICATION OPPOSITE

DOUBLE DOOR INSTALLATION WITH VON DUPRIN MULLIONS				
MULLION	STRIKE	DIM. "B"	MIN. STILE 990/991/992 TRIM	MIN. STILE 696/697 TRIM
4954/9954	909	3 3/8"	4 7/8"	4 3/4"
9954	954	3 1/2"	5"	4 7/8"
5654	909	2 15/16"	4 3/8"	4 1/4"

NOTES:

1. THESE FOUR HOLES TO BE PREPARED FOR SURFACE APPLICATION WHEN USING 696/697 TRIM. DO NOT PREPARE FOR SEX BOLTS.
2. FOR STOCK HOLLOW METAL DOORS SEE TEMPLATE NO. 10619 FOR TYPE "161" CUTOUT AND 10622 FOR TYPE "86" CUTOUT.
3. GLASS BEAD KIT AVAILABLE WHEN REQUIRED.
4. FOR OUTSIDE TRIM PREPARATION, WHEN REQUIRED, SEE TRIM TEMPLATE.

XP98/XP99 & XP98-F/XP99-F NL  
SERIES RIM DEVICE



NOTE: SEE MASTER SHEET NO. 10001 FOR SUGGESTED REINFORCING

TEMPLATE  
NUMBER:

10612\_A

DATE:

04-28-08