

NOTES: SEE MASTER SHEET NO. 10001 FOR SUGGESTED REINFORCING

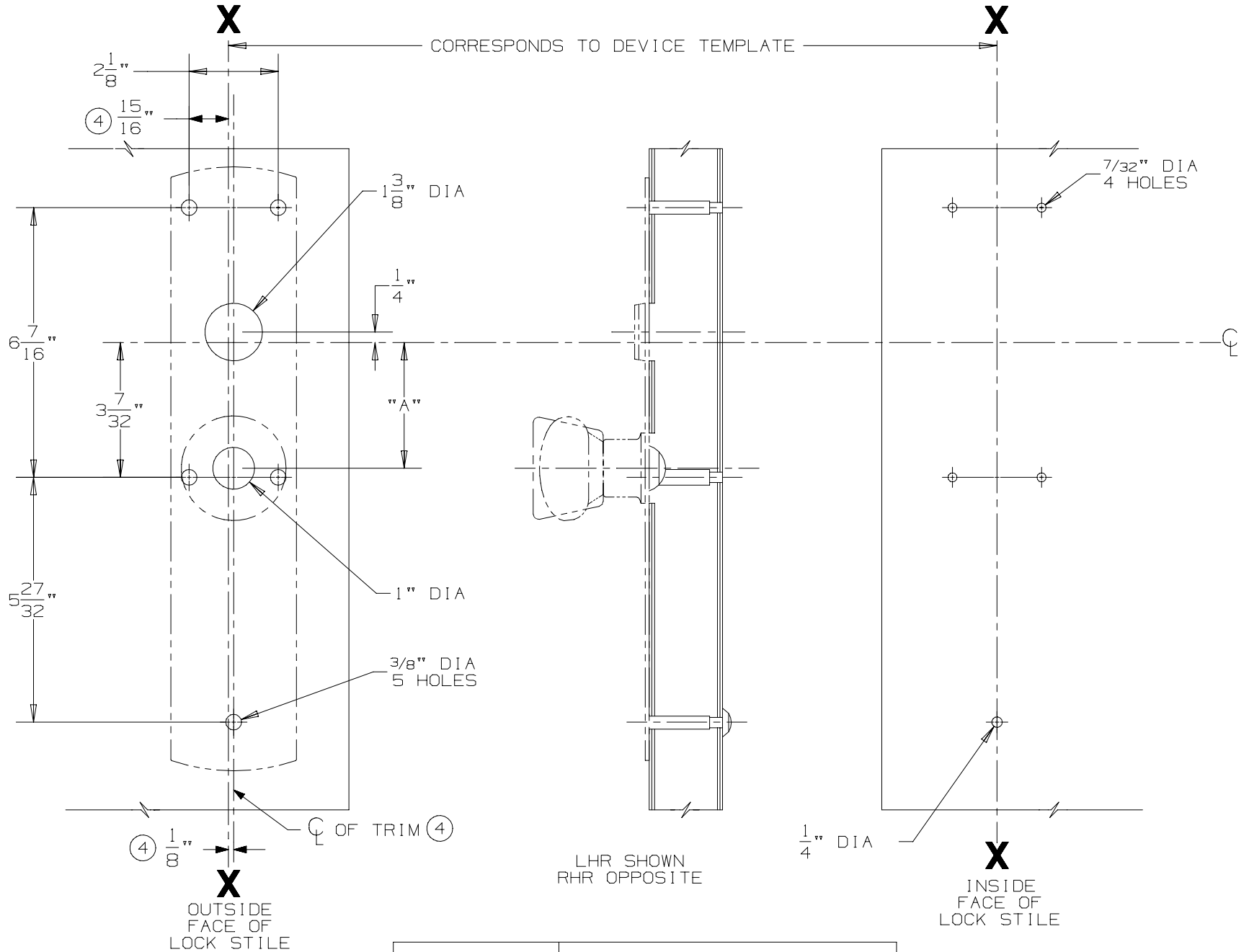
880 KR TRIM  
(RIGID KNOB)

**VON DUPRIN**

TEMPLATE NUMBER:

20256\_4

DATE:  
07-26-04



FOR CUTOUTS ON INSIDE FACE OF DOOR SEE DEVICE TEMPLATE	DEVICE APPLICATION SCHEDULE	
	DEVICE	DIM. "A"
	44 RIM	3"
	88 RIM	3"