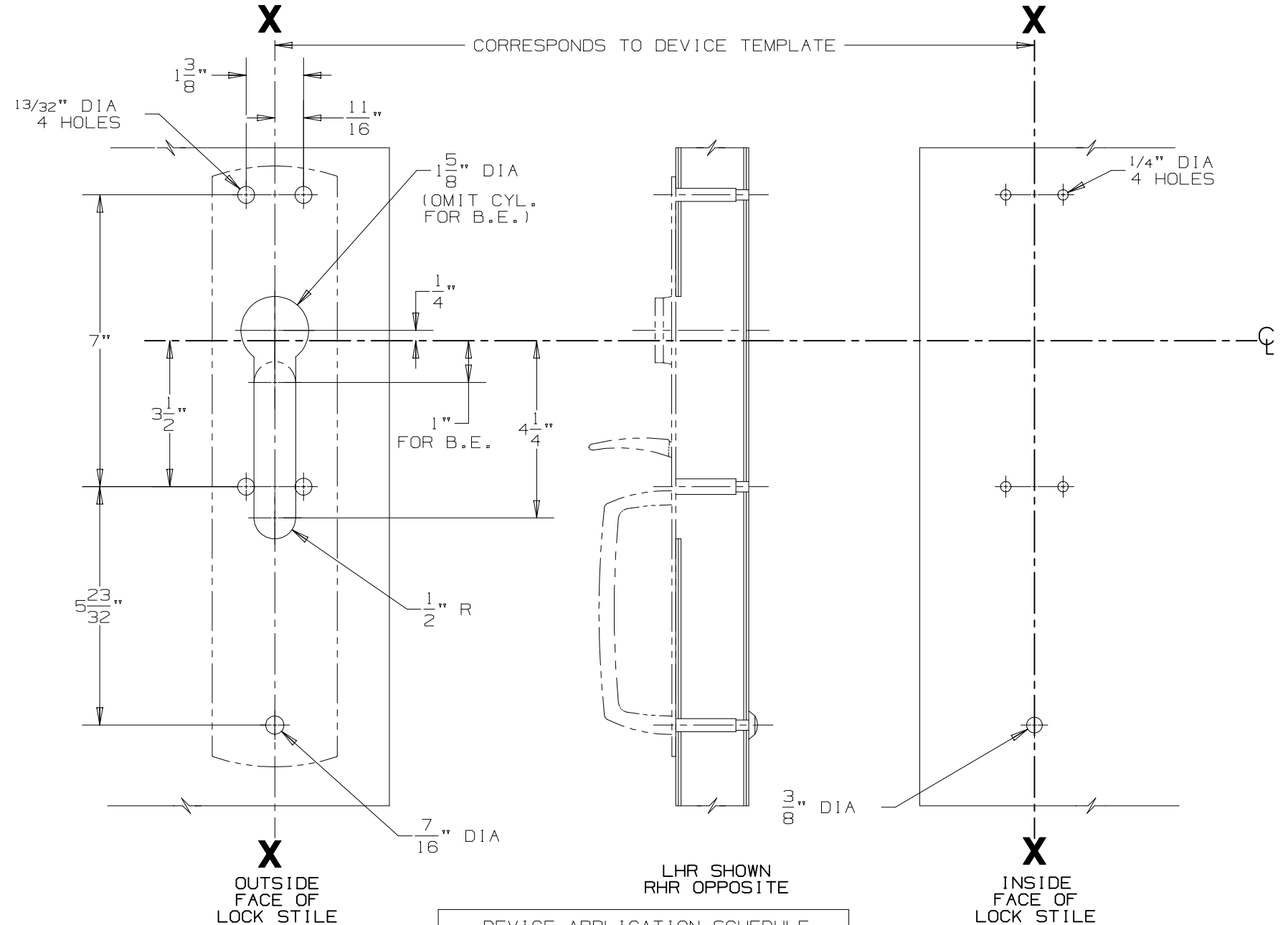


NOTES: SEE MASTER SHEET NO. 10001 FOR SUGGESTED REINFORCING

TEMPLATE NUMBER: 20265\_A

DATE: 04-28-08

990 TP & 990 TP-BE TRIM



DEVICE APPLICATION SCHEDULE
98/99 SERIES RIM DEVICE
9827/9927 SERIES DEVICE
9847/9947 SERIES DEVICE
XP98/XP99 SERIES RIM DEVICE

(A)