

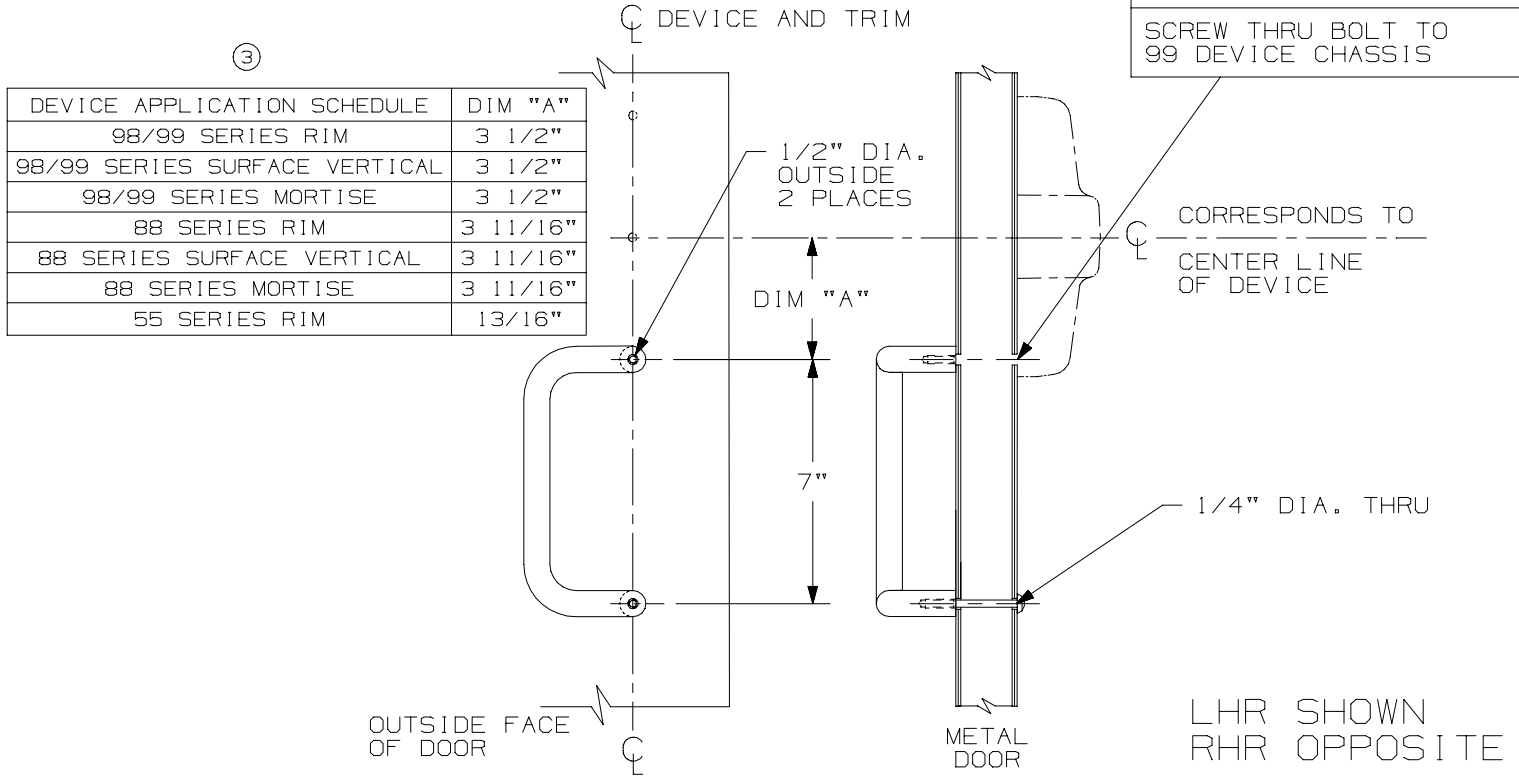
# 392-7 (PULL BELOW CENTER)

FOR NL, TL OR DT APPLICATIONS

DRILL 1/4" DIA. C'SINK TO 82° FOR 88 & 55 SERIES DEVICES

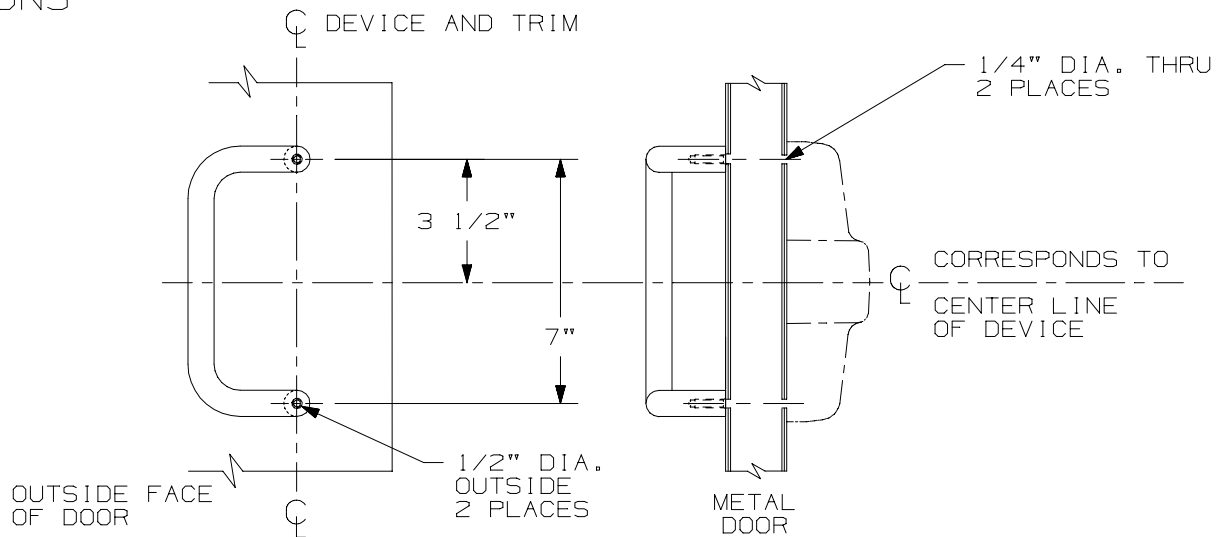
DRILL 1/4" DIA. THRU FOR 99 SERIES DEVICES

SCREW THRU BOLT TO 99 DEVICE CHASSIS



# 392-7 (PULL ON CENTER)

FOR NL, TL OR DT APPLICATIONS



③

DEVICE APPLICATION SCHEDULE
98/99 SERIES RIM (DT OR NL)
98/99 SERIES SURFACE VERTICAL (DT, NL OR TL)
98/99 SERIES MORTISE (DT OR NL)
98/99 SERIES CONCEALED VERTICAL (DT, NL OR TL)

LHR SHOWN RHR OPPOSITE

392-7 PULL



③

NOTE: SEE MASTER SHEET NO. 10001 FOR SUGGESTED REINFORCING.

TEMPLATE NUMBER:

20447\_3

DATE: 7-21-98