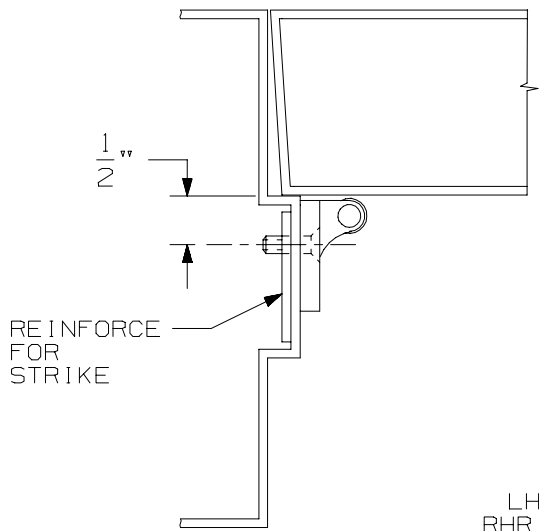
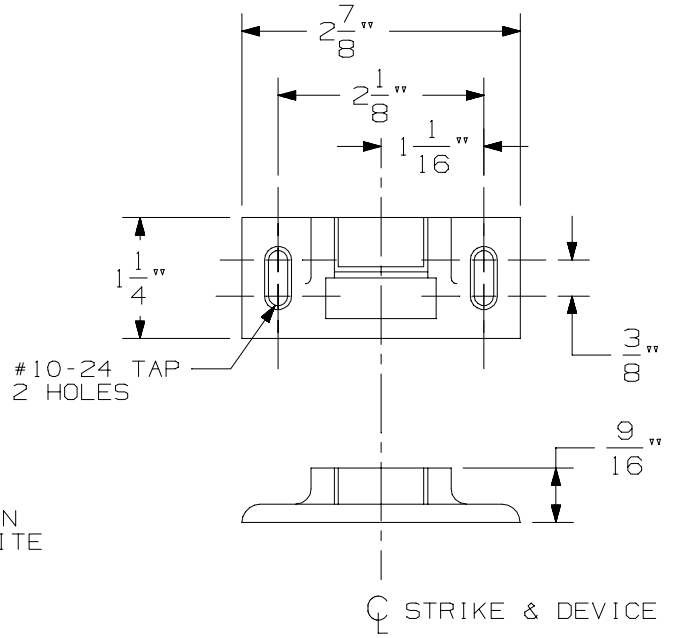


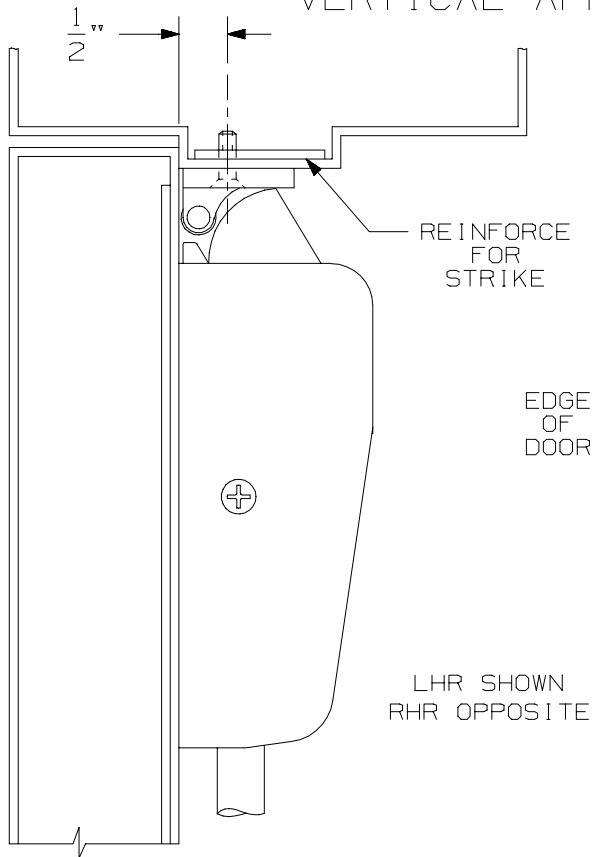
RIM APPLICATION



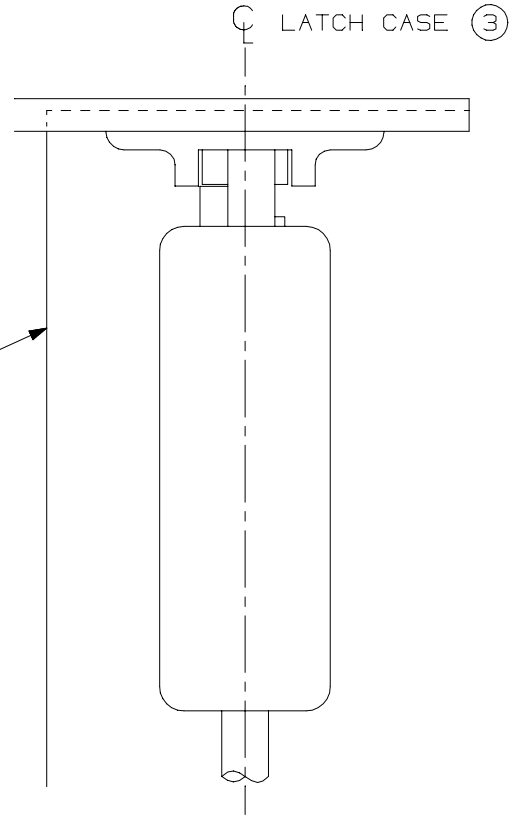
LHR SHOWN
RHR OPPOSITE



VERTICAL APPLICATION



LHR SHOWN
RHR OPPOSITE



NOTE: LATCH CASE MOUNTING HOLES TO BE PREPARED AT INSTALLATION ON DOOR.

264 STRIKE



NOTE:

TEMPLATE NUMBER:

30009_3

DATE:

06/23/03