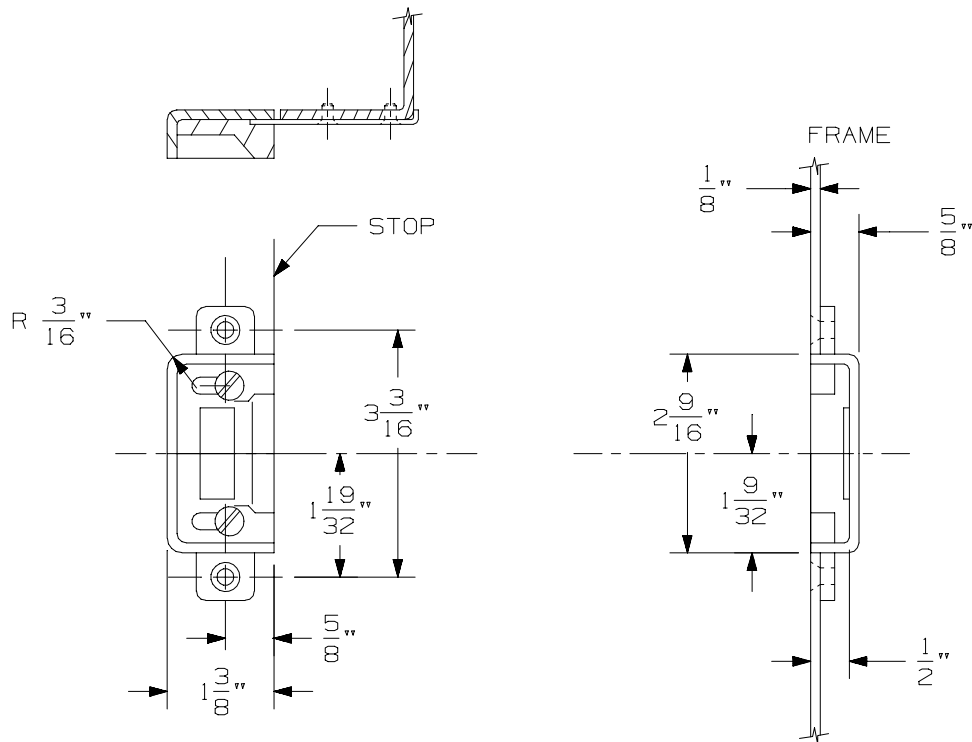


LHR APPLICATION SHOWN, RHR APPLICATION OPPOSITE.



②

1410 STRIKE



NOTE: SEE MASTER SHEET NO. 10001 FOR SUGGESTED REINFORCING.

TEMPLATE NUMBER:

30023_2

DATE: 06-23-03