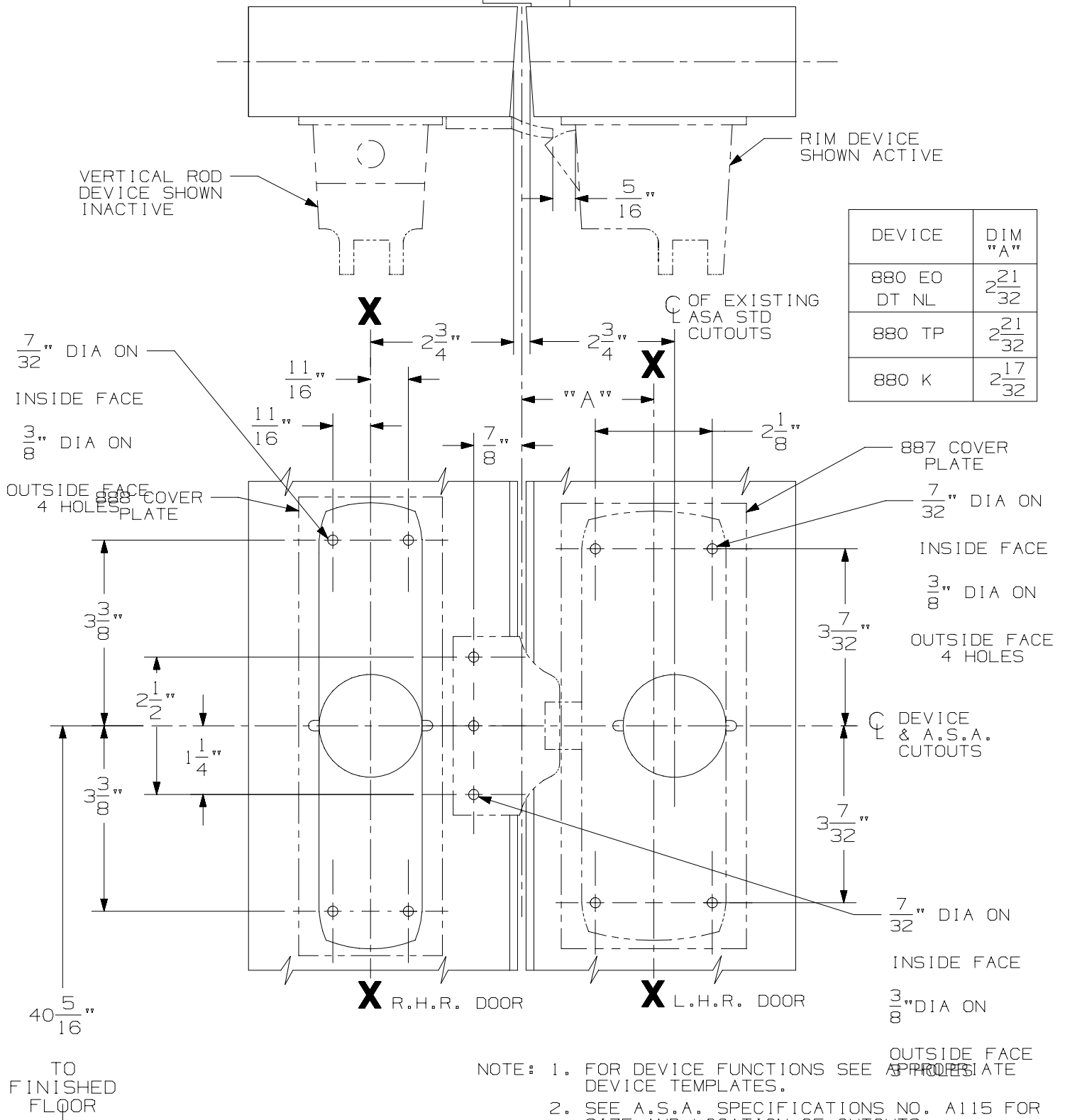


ASTRAGAL MUST BE USED ON ACTIVE DOOR  
 C OF OPENING



DEVICE	DIM "A"
880 EO DT NL	2 21/32
880 TP	2 21/32
880 K	2 17/32

- NOTE: 1. FOR DEVICE FUNCTIONS SEE APPROPRIATE DEVICE TEMPLATES.  
 2. SEE A.S.A. SPECIFICATIONS NO. A115 FOR SIZE AND LOCATION OF CUTOUTS.  
 3. TYPE 161 STOCK HOLLOW METAL DOOR.  
 4. A COORDINATOR MUST BE USED ON INACTIVE DOOR.

LINE X-X CORRESPONDS TO LINE X-X ON DEVICE TEMPLATE

1610 J STRIKE FOR 8827  
 VERT ROD & 88 RIM SERIES DEVICES  
 FOR STOCK HOLLOW METAL APPL



NOTE: SEE MASTER SHEET NO. 10001 FOR SUGGESTED REINFORCING

TEMPLATE NUMBER: 30028\_2

DATE: 8-28-98