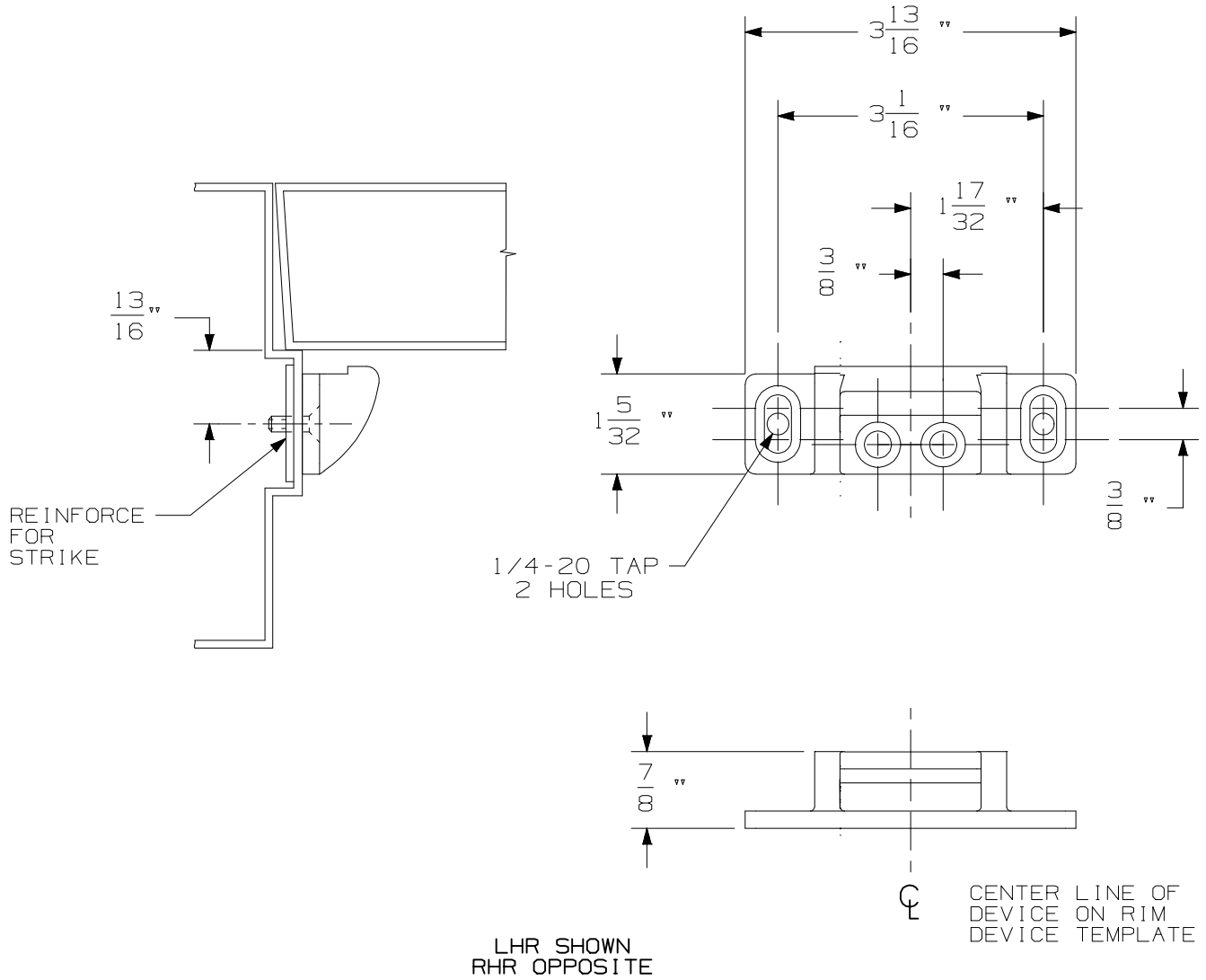


RIM APPLICATION



NOTE: DEVICE MOUNTING HOLES TO BE PREPARED AT INSTALLATION ON DOOR.

954 STRIKE

IR VON DUPRIN®

NOTE:

TEMPLATE NUMBER: 30041_A

DATE: 04-28-08