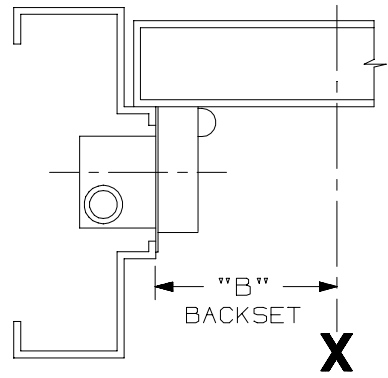
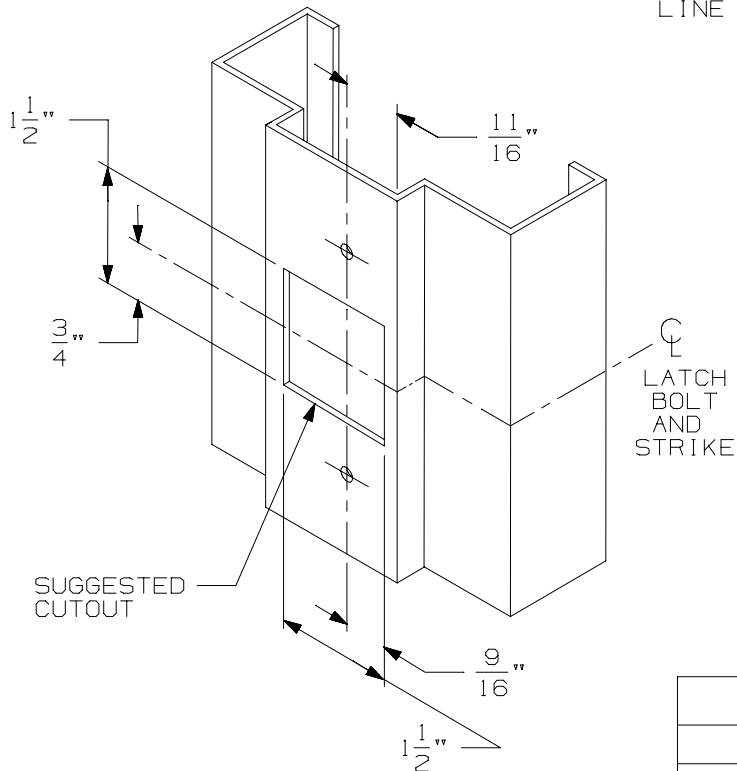


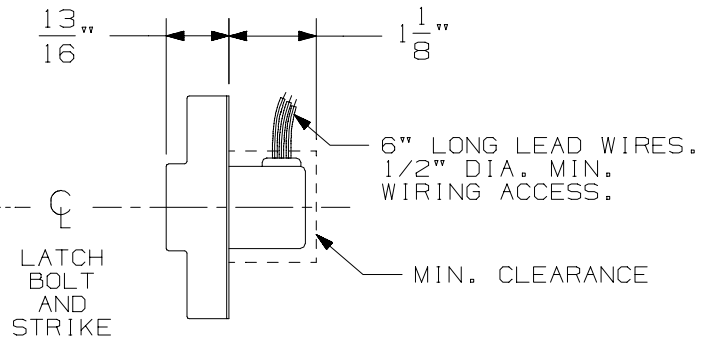
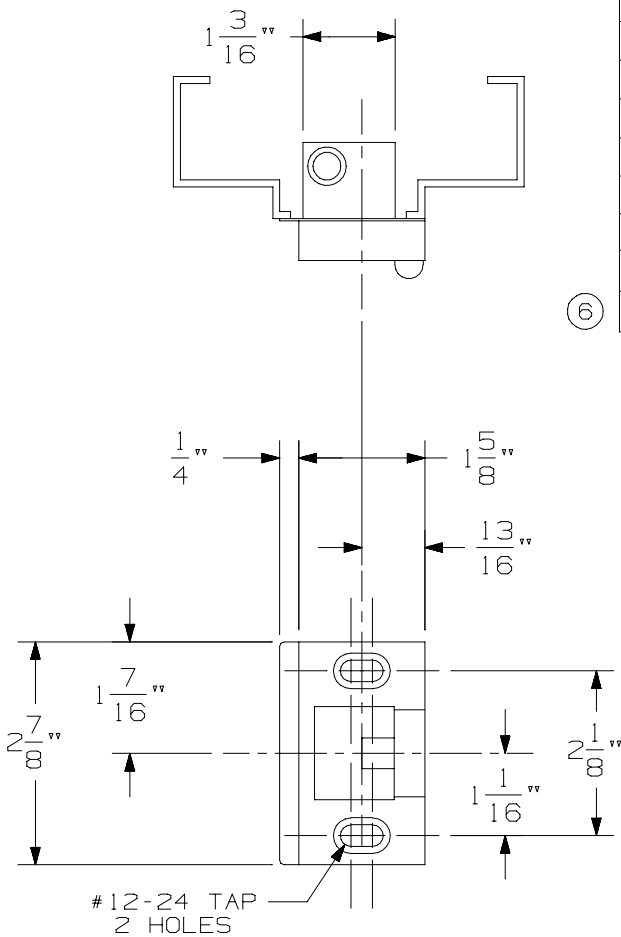
LINE X-X CORRESPONDS TO LINE X-X ON DEVICE TEMPLATE



LHR APP. SHOWN
RHR APP. OPPOSITE

SINGLE DOOR INSTALLATION		
DEVICE	DIM "B"	MIN. STILE
33/35 RIM	1 13/32"	2 15/16"
44 RIM EO, DT, NL, TP	2 1/2"	4 3/8"
44 RIM K	2 3/8"	4 3/8"
55 RIM	1 11/32"	2 13/16"
88 RIM EO, DT, NL, TP	2 1/2"	4 3/8"
88 RIM K	2 3/8"	4 3/8"
98/99 RIM	2 3/8"	4 3/8"
22 RIM	2 3/8"	4 3/8"
33A/35A RIM	1 13/32"	2 7/8"

⑥



4263 SIGNAL STRIKE



NOTE:

TEMPLATE NUMBER: 30200_6

DATE: 06-23-03