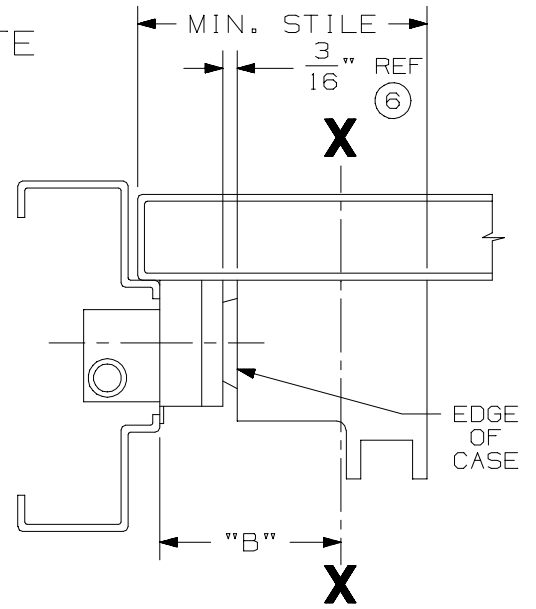
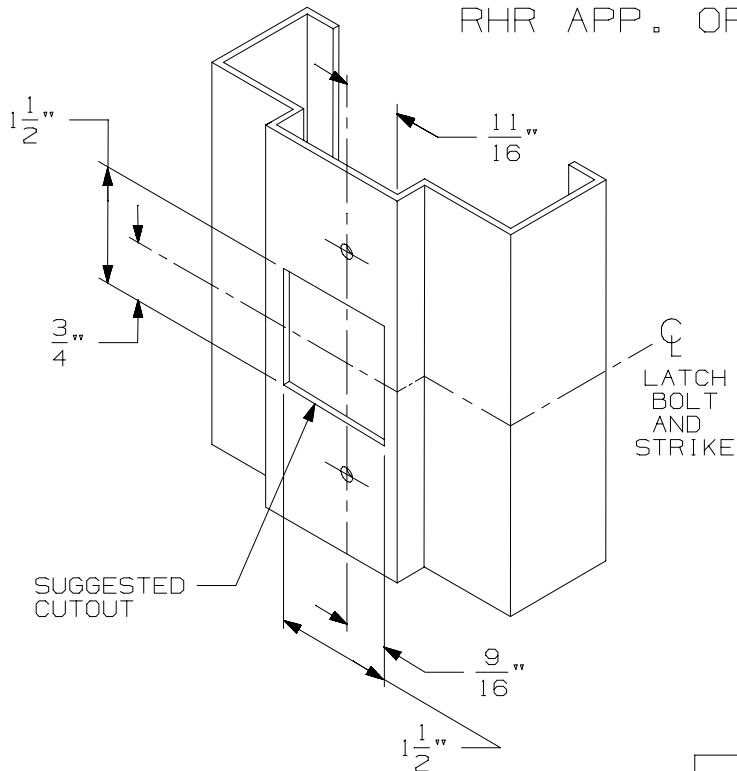
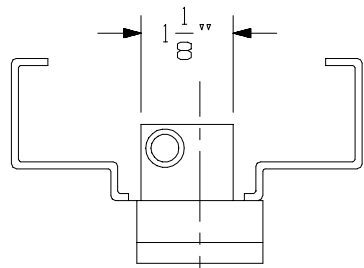


LHR APP. SHOWN  
RHR APP. OPPOSITE



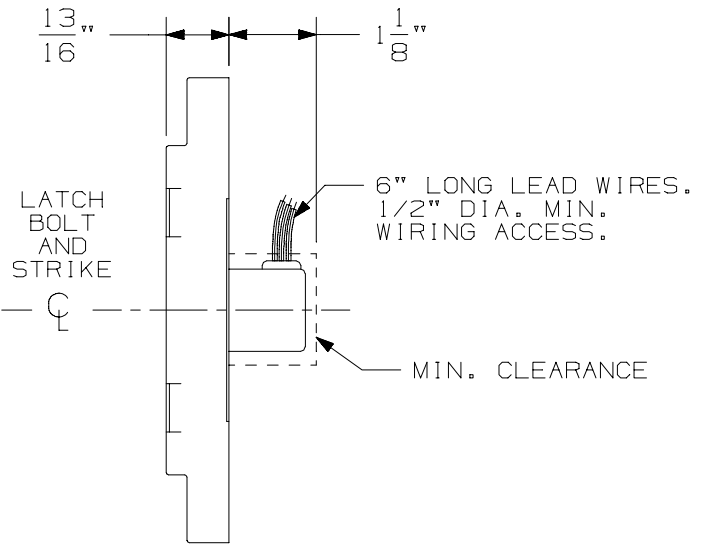
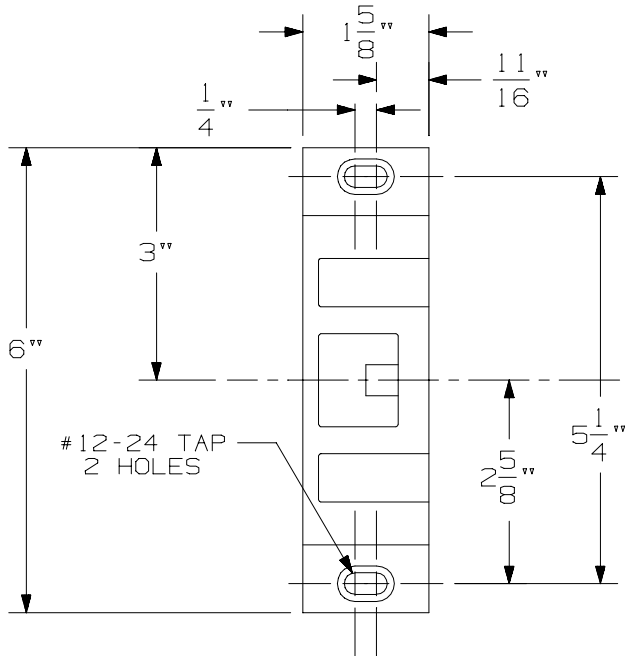
LINE X-X CORRESPONDS TO  
LINE X-X ON DEVICE TEMPLATE



⑥

DEVICE APPLICATION		
APPLICATION	DIM "B"	MIN. STILE
22 SERIES RIM	2 7/16"	4 1/2"
33/35 SERIES RIM	1 13/32"	2 3/4"
88-F RIM EO,DT,NL,TP	2 1/2"	4 3/8"
88-F RIM K	2 3/8"	4 3/8"
98/99 SERIES RIM	2 7/16"	4 1/2"
⑥ 33A/35A SERIES RIM	1 15/32"	2 15/16"

⑥



4268 SIGNAL STRIKE



NOTE:

TEMPLATE NUMBER: 30201\_6

DATE: 06-23-03