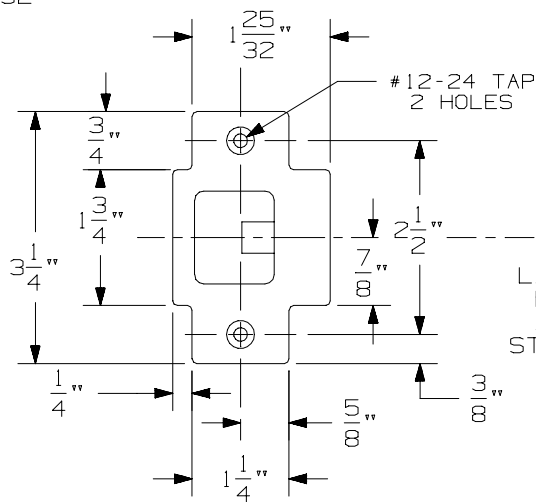
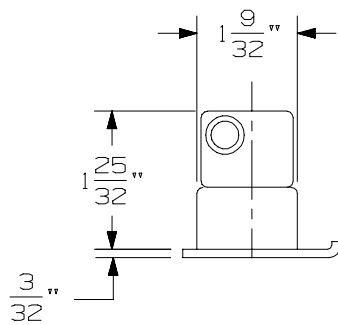
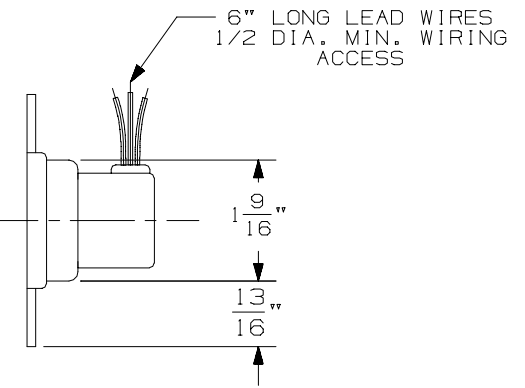


DEVICE APPLICATION SCHEDULE		
DEVICE	MIN. BACKSET	MIN. STYLE
3347/3547	1 5/8"	2 3/8"
3347-F/3547-F	2 3/4"	3 1/2"
9847/9947	2 3/16"	3 5/8"
9847-F/9947-F	2 3/4"	4 1/8"
3347A/3547A	1 5/8"	2 9/16"
3347A-F/3547A-F	2 3/4"	3 5/8"



④



4690 MONITOR STRIKE
 CONCEALED VERTICAL ROD
 DEVICE APPLICATION



NOTE: SEE MASTER SHEET NO. 10001 FOR SUGGESTED REINFORCING.

TEMPLATE NUMBER: 30205_4

DATE: 06-24-03