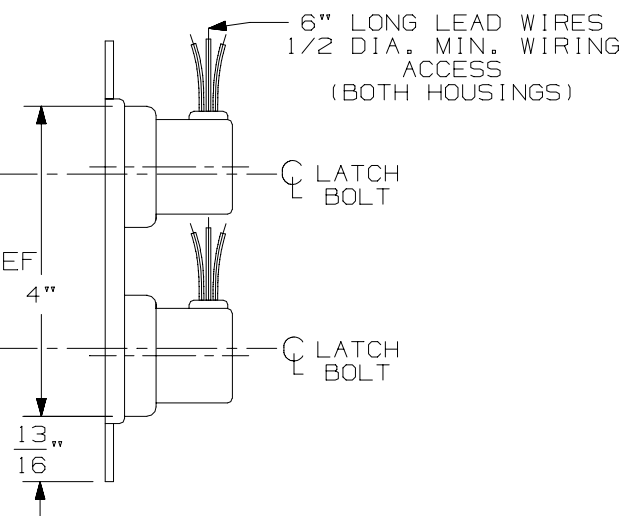


APPLICATION SCHEDULE	
DEVICE	RECOMMENDED MIN. STILE*
3347/3547	1 3/4"
3347A/3547A	2"

⑤ * CONSULT FACTORY FOR STILE WIDTHS LESS THAN MIN. RECOMMENDED TO ENSURE PROPER APPLICATION



NOTE:
FOR 1-1/16 LATCH CASE BACKSET ONLY.
SEE TEMPLATE 10052 FOR 3347A/3547A DEVICE.

4690-1 MONITOR STRIKE
FOR 3347/3547 & 3347A/3547A



NOTE: SEE MASTER SHEET NO. 10001 FOR SUGGESTED REINFORCING.

TEMPLATE NUMBER: 30206_5

DATE: 02-06-04