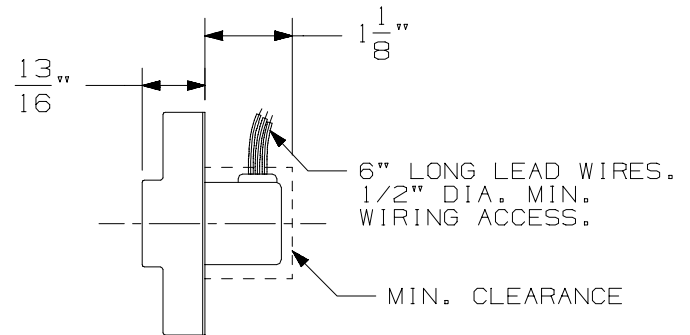
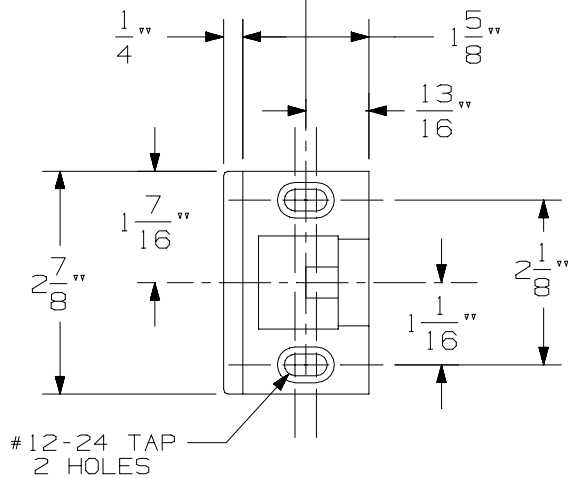


LATCH CASE MOUNTING HOLES TO BE PREPARED AT INSTALLATION ON DOOR



SINGLE DOOR INSTALLATION			TWO VERT. ROD DEVICES	
DEVICE	MIN. STILE	MIN. BACKSET	MIN. STILE	MIN. BACKSET
3327/3527	2 13/16"	2 1/16"	2 3/16"	1 7/16"
8827	3 1/16"	2 1/16"	2 7/16"	1 7/16"
9827/9927	3 5/8"	2 3/16"	3 5/8"	2 3/16"
2227	3 5/8"	2 3/16"	3 5/8"	2 3/16"
⑤ 3327A/3527A	2 15/16"	2 1/16"	2 5/16"	1 7/16"

4263 SIGNAL STRIKE
VERTICAL ROD DEVICE APPLICATION



NOTE:

TEMPLATE NUMBER: 30209_5

DATE: 06-24-03